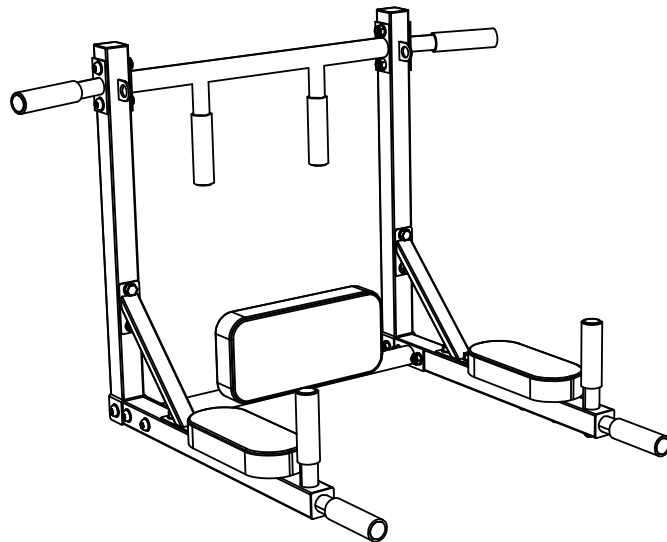


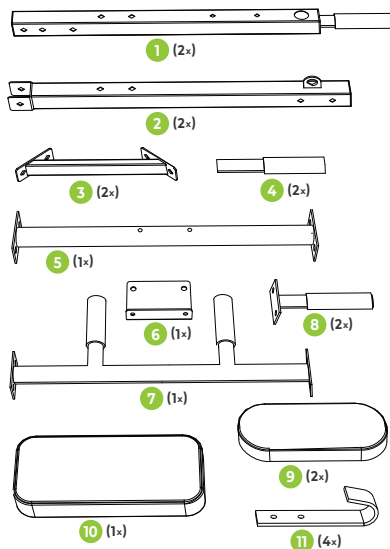
virtufit

Pull-up and Dip-Rack

VF02110

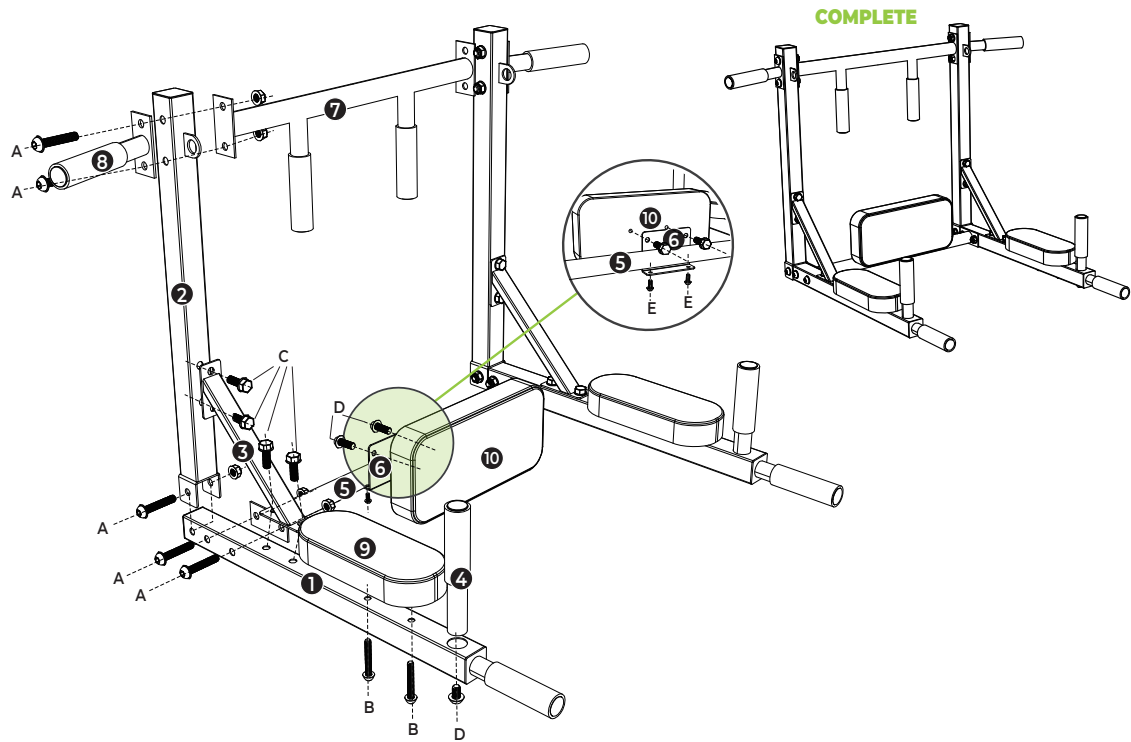


TOOLKIT



- | | | | |
|----------------|---------------|--------|--|
| A (10×) | Allen Bolt | M10*55 | |
| B (4×) | Allen Bolt | M8*50 | |
| C (8×) | Hex Head Bolt | M8*16 | |
| D (4×) | Allen Bolt | M8*16 | |
| E (2×) | Allen Bolt | M6*15 | |
| F (8×) | Anchor Bolt | M8*80 | |
| (10×) | Nut | M10 | |
| (10×) | Washer | M10 | |
| (10×) | Washer | M8 | |
| (2×) | Washer | M6 | |
| (1×) | Hex Wrench | 5# | |
| (1×) | Hex Wrench | 6# | |
| (1×) | Spanner | | |

ASSEMBLY INSTRUCTIONS



SECURE WALL MOUNTING

