

# TUNTURI®

## PLATINUM SB10 SPRINTER BIKE

GB	User manual	13 - 19
DE	Benutzerhandbuch	20 - 27
FR	Manuel de l'utilisateur	28 - 35
NL	Gebruikershandleiding	36 - 43
IT	Manuale d'uso	44 - 51
ES	Manual del usuario	52 - 59
SV	Bruksanvisning	60 - 66
SU	Käyttöohje	67 - 73



Attention, Achtung, Attention, Attentie, Attenzione, Atención, Giv akt, Huomio

- Please read this user manual carefully prior to using this product.
- Lesen Sie sich vor dem Gebrauch des Produkts diese Bedienungsanleitung sorgfältig durch.
- Veuillez lire attentivement le présent manuel de l'utilisateur avant d'utiliser ce produit.
- Lees deze gebruikershandleiding zorgvuldig voordat u dit product gaat gebruiken.
- Leggere attentamente questo manuale dell'utente prima di utilizzare il prodotto.
- Antes de utilizar este producto, lea atentamente este manual de usuario.
- Läs den här användarhandboken noggrant före användning av den här produkten.
- Lue tämä käyttöohje huolellisesti ennen tämän tuotteen käyttöä.

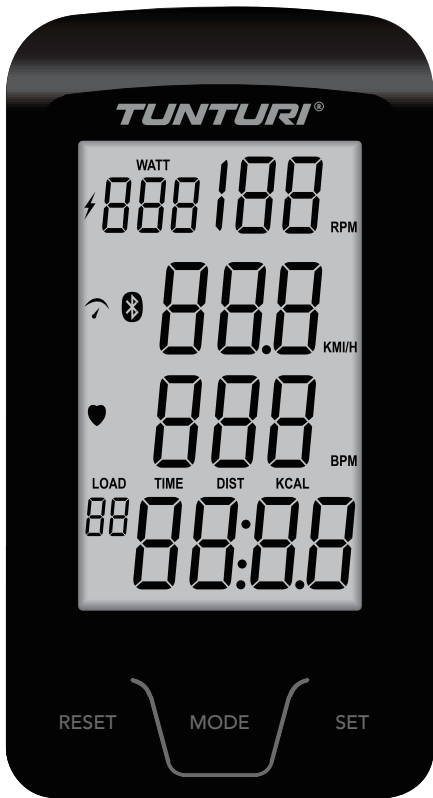


[www.tunturi.com](http://www.tunturi.com)

FEEL BETTER EVERY DAY



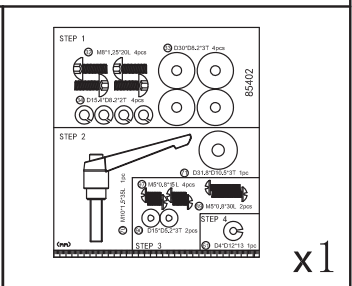
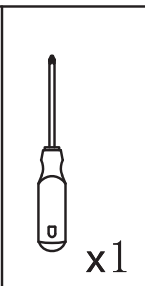
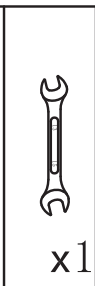
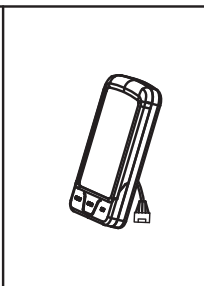
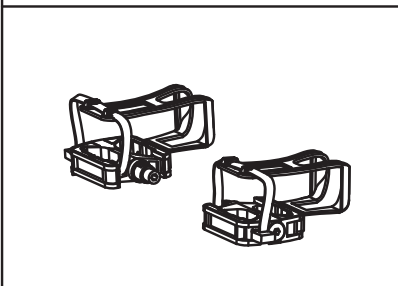
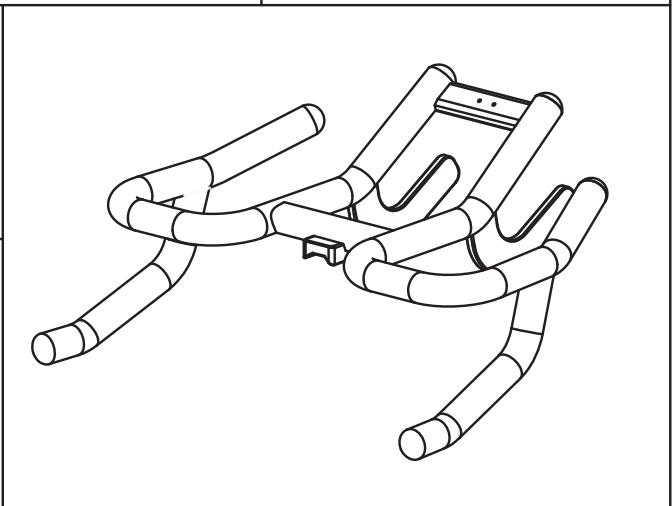
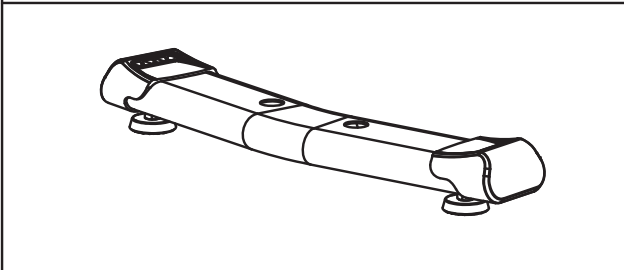
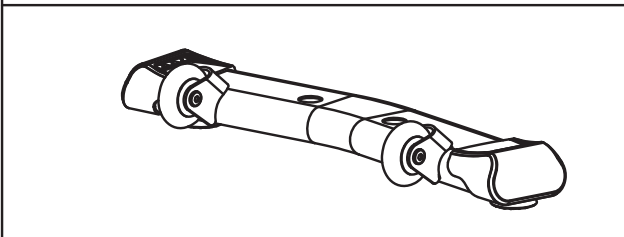
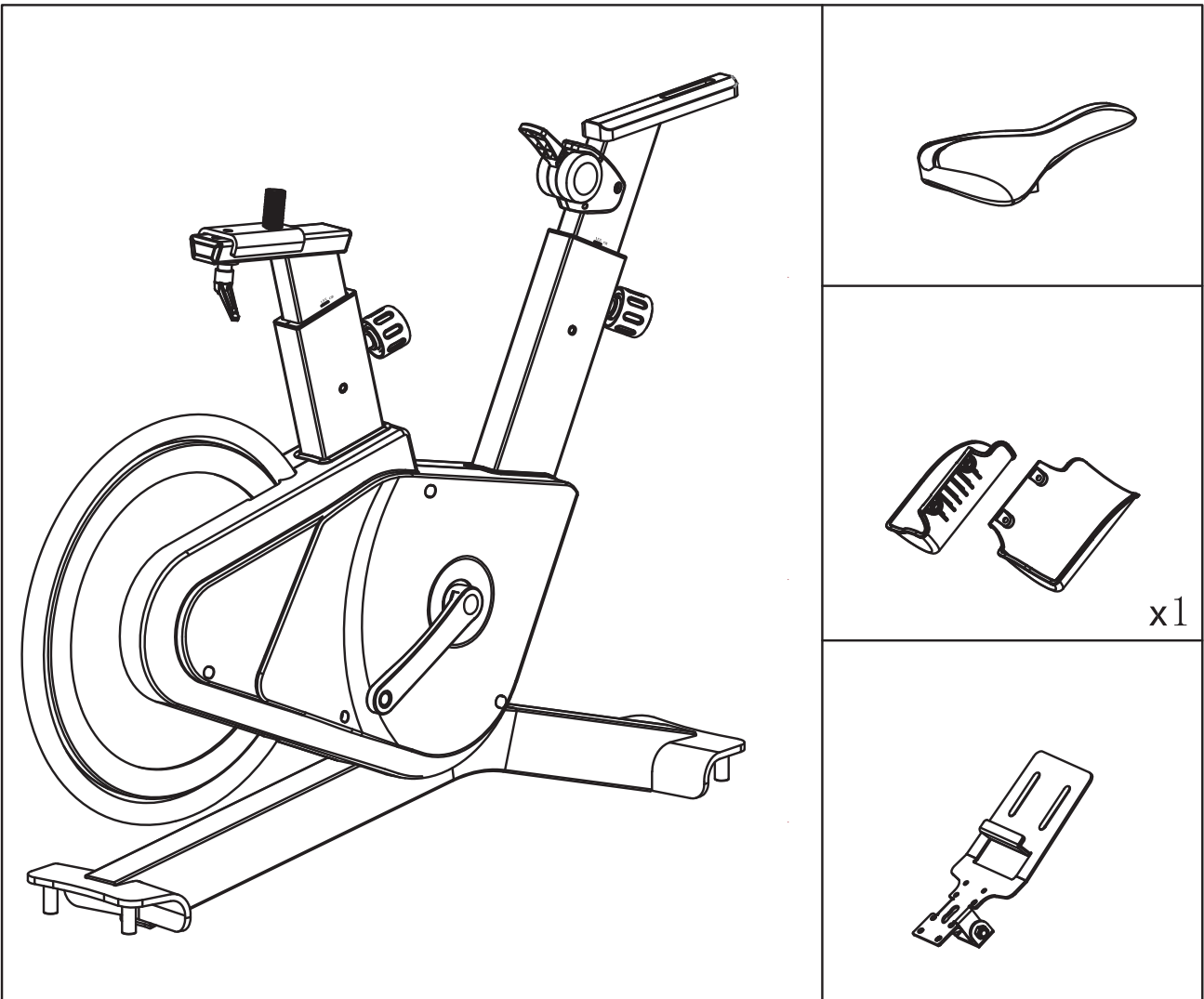
A





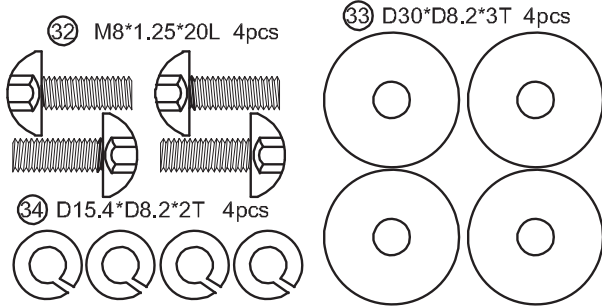
# Platinum SB10 Sprinter Bike

## B

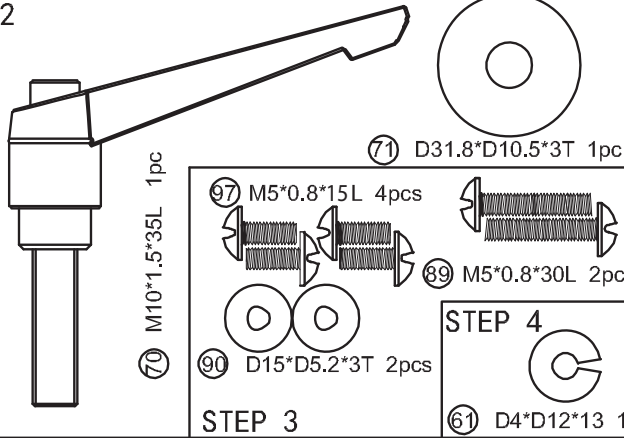


C

STEP 1



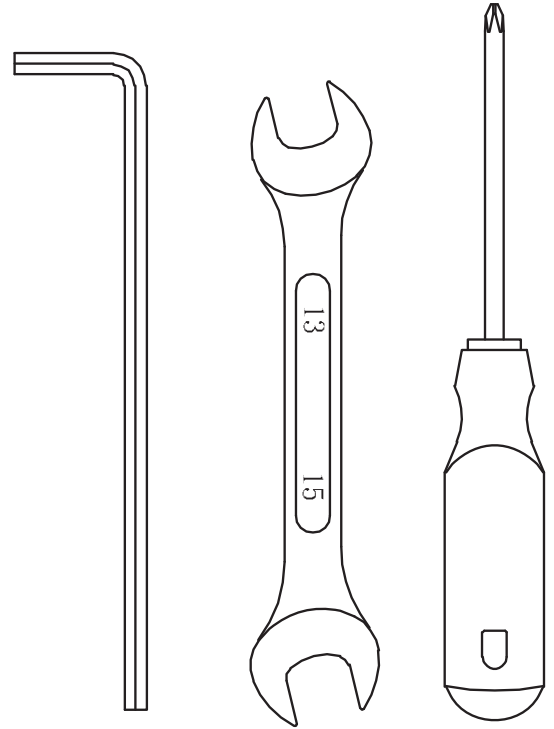
STEP 2



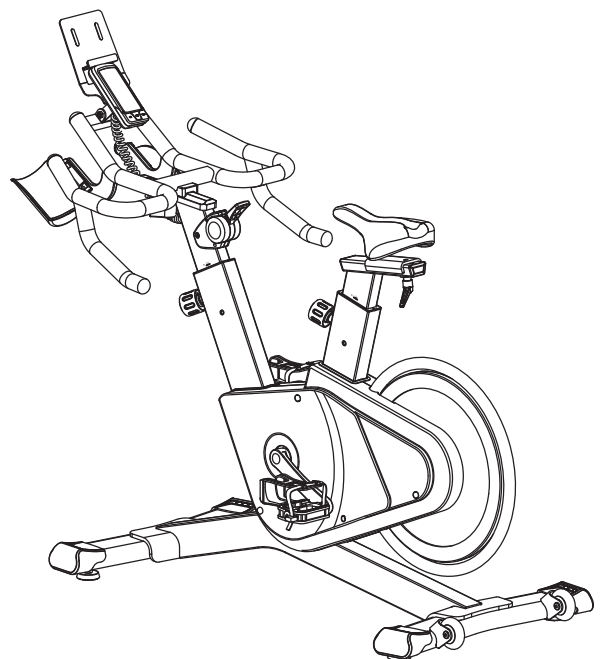
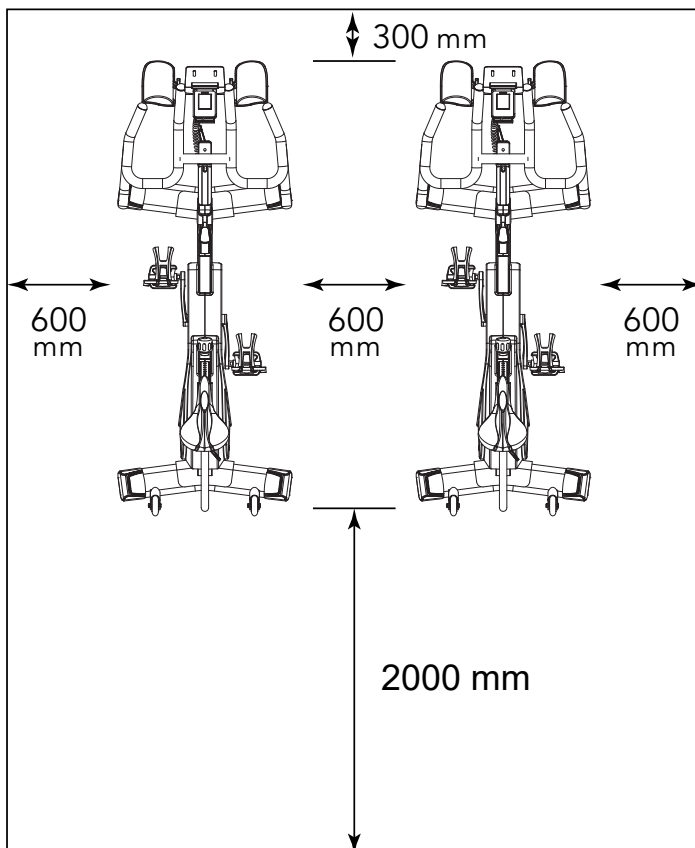
STEP 4



(mm)

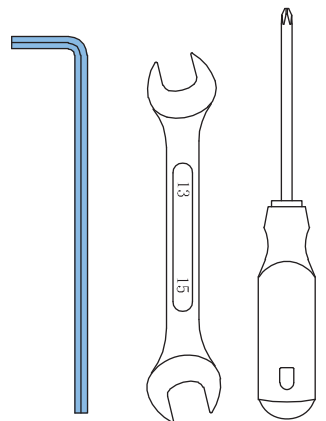
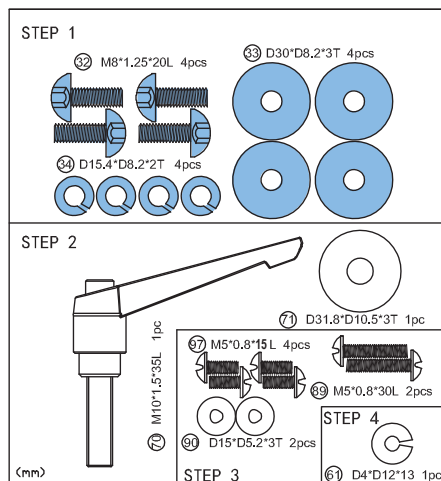
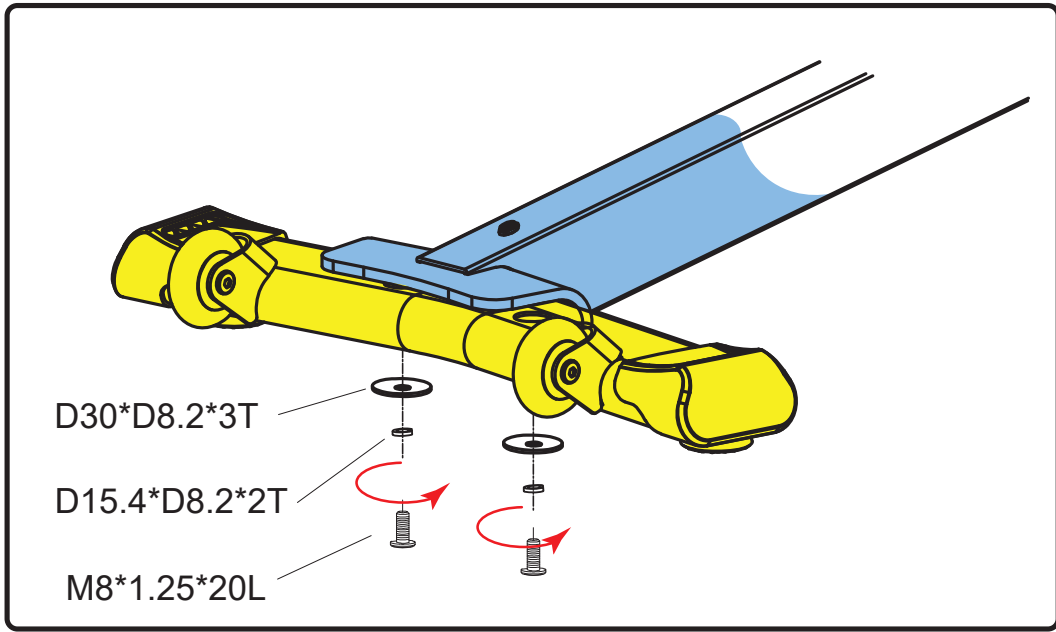
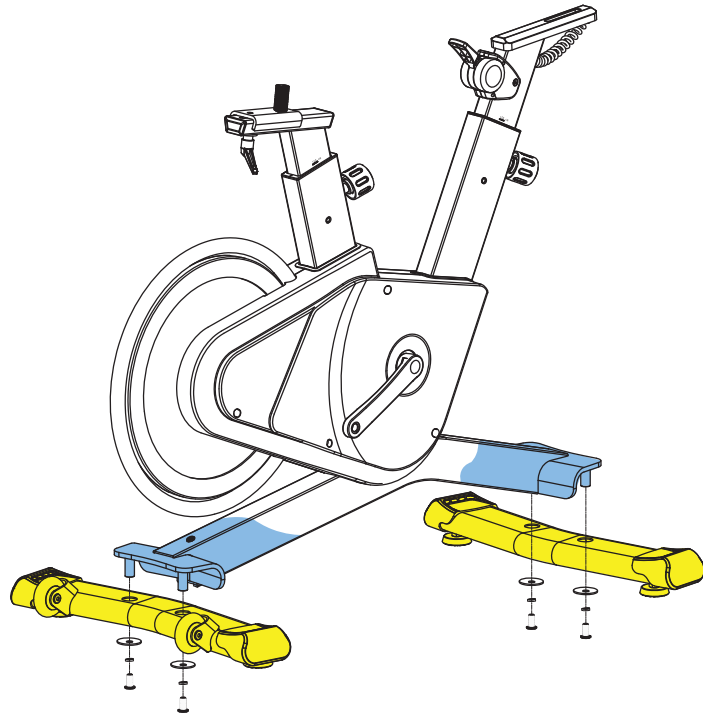


D-00

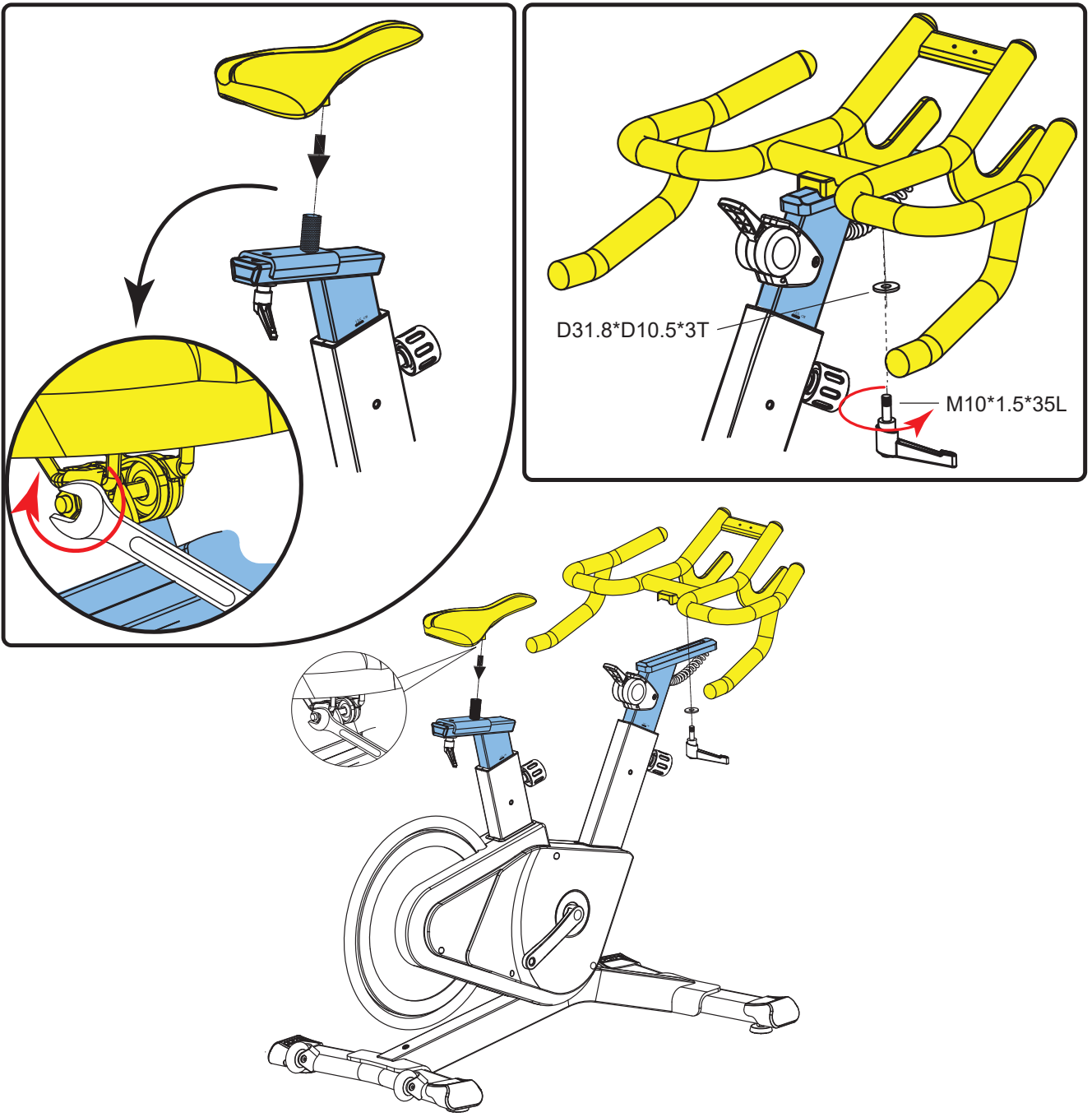


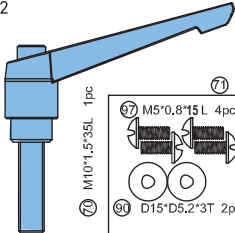



## D-01

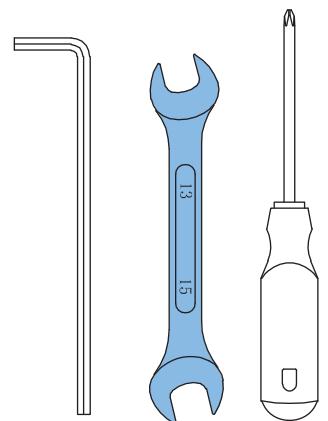


## D-02



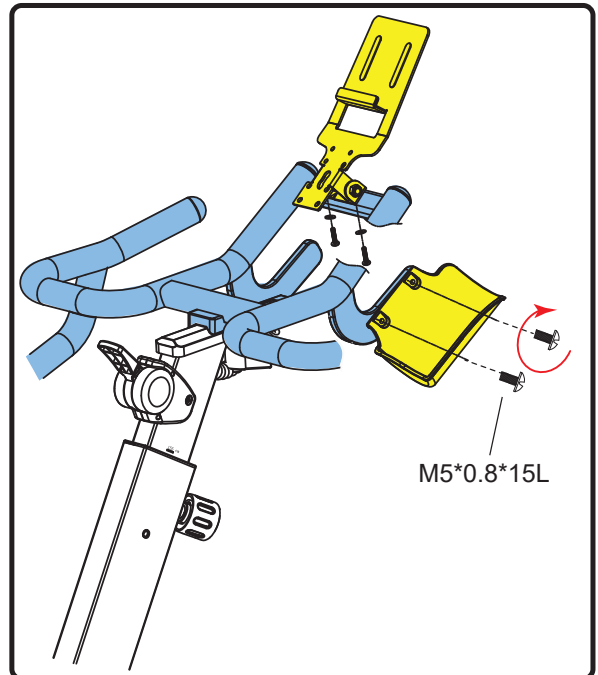
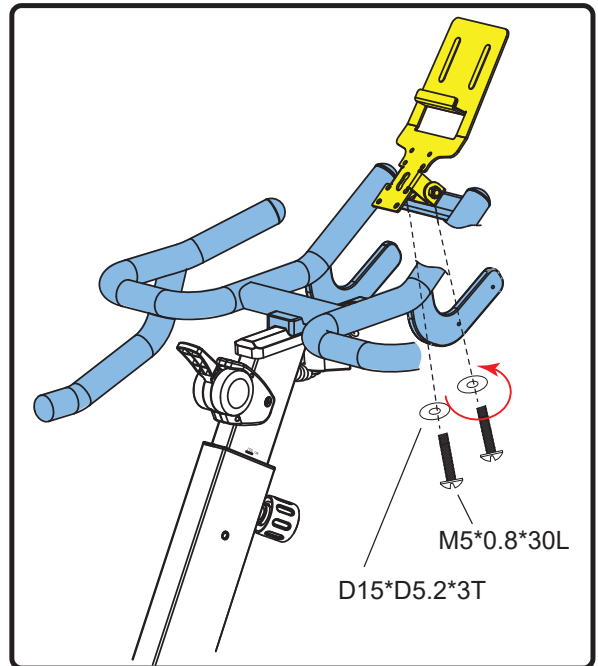
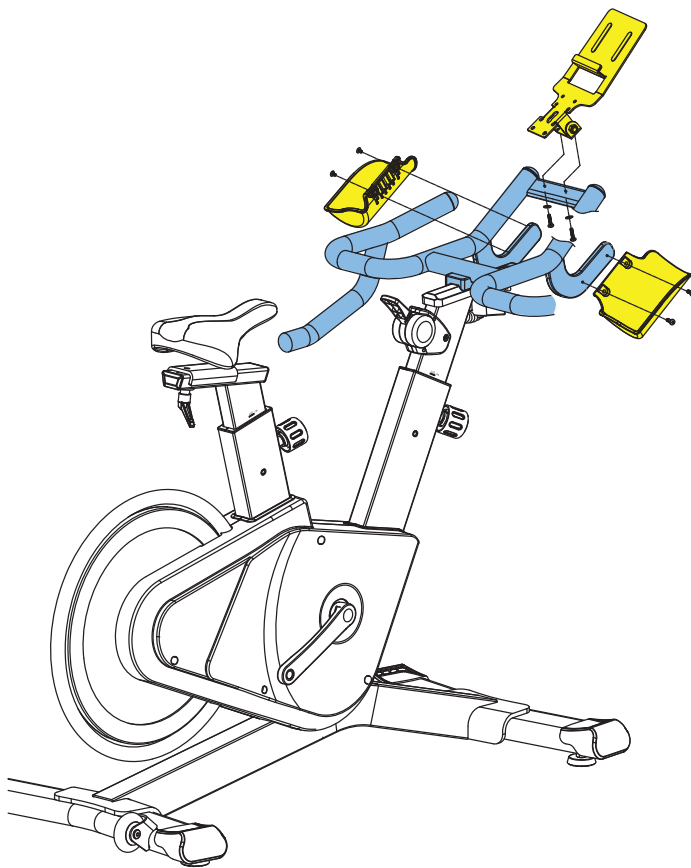
STEP 1	
② M8*1.25*20L 4pcs	③ D30*D8.2*3T 4pcs
④ D15.4*D8.2*2T 4pcs	
STEP 2	
	
⑦ M10*1.5*35L 1pc	⑦ D31.8*D10.5*3T 1pc
⑧ M5*0.8*15L 4pcs	⑨ M5*0.8*30L 2pcs
⑩ D15*D5.2*3T 2pcs	STEP 4
STEP 3	⑪ D4*D12*13 1pc

(mm)

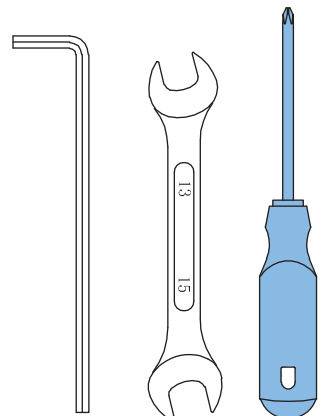




## D-03

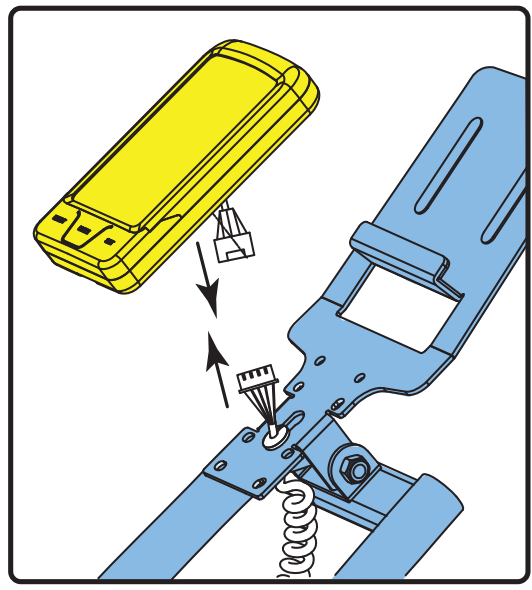
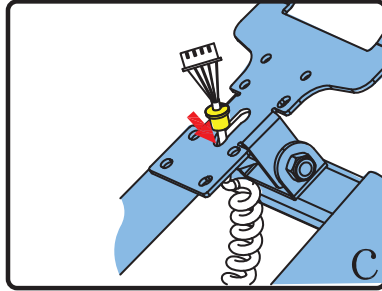
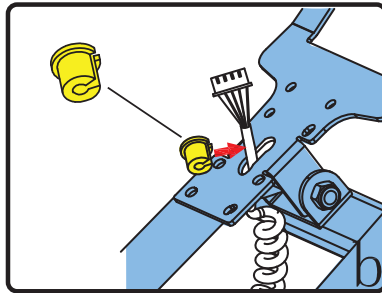
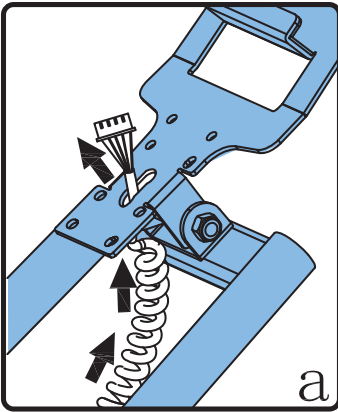


STEP 1	
② M8*1.25*20L 4pcs	③ D30*D8.2*3T 4pcs
④ D15.4*D8.2*2T 4pcs	
STEP 2	
⑦ D31.8*D10.5*3T 1pc	
⑧ M10*1.5*35L 1pc	⑨ M5*0.8*30L 2pcs
⑩ D15*D5.2*3T 2pcs	⑪ D4*D12*13 1pc
STEP 3	
⑫ M5*0.8*15L 4pcs	⑬ D31.8*D10.5*3T 1pc
STEP 4	






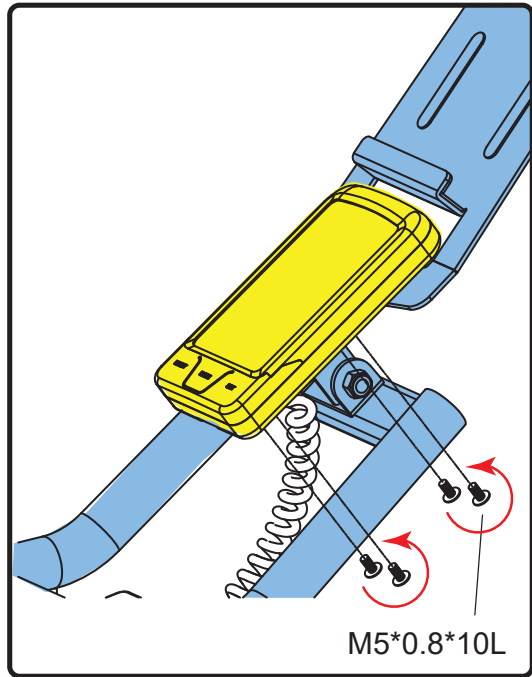
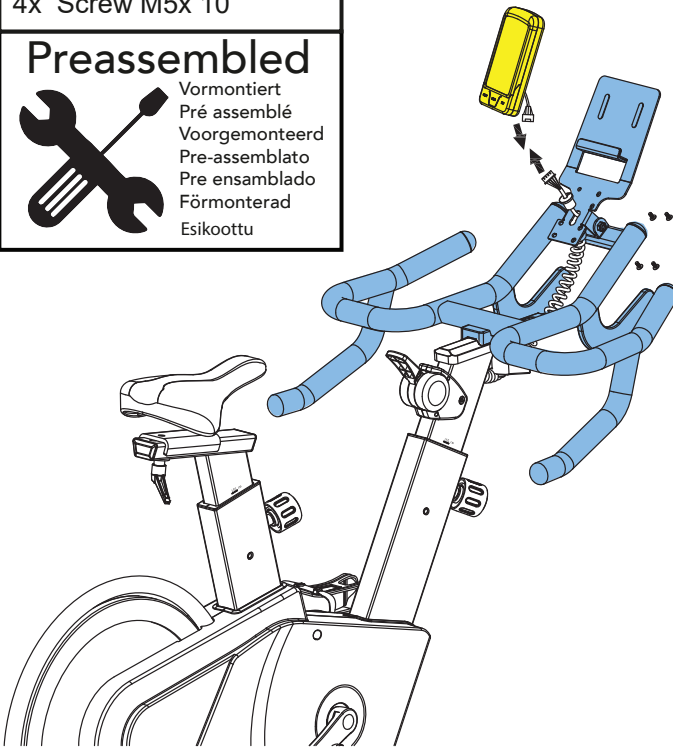
D-04



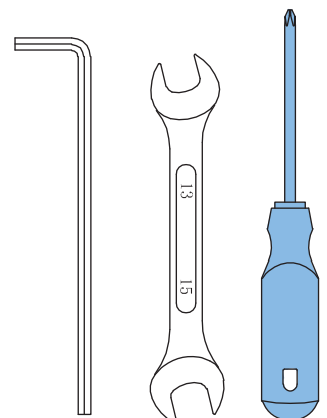
4x Screw M5x 10

**Preassembled**

Vormontiert  
Pré assemblé  
Voorgemonteerd  
Pre-assemblato  
Pre ensamblado  
Förmonterad  
Esikoottu

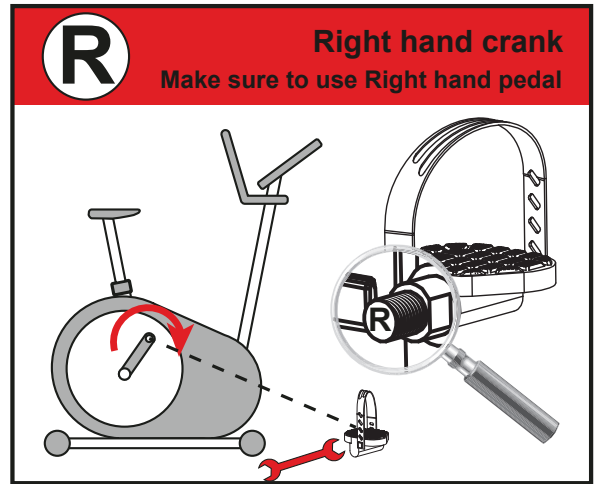
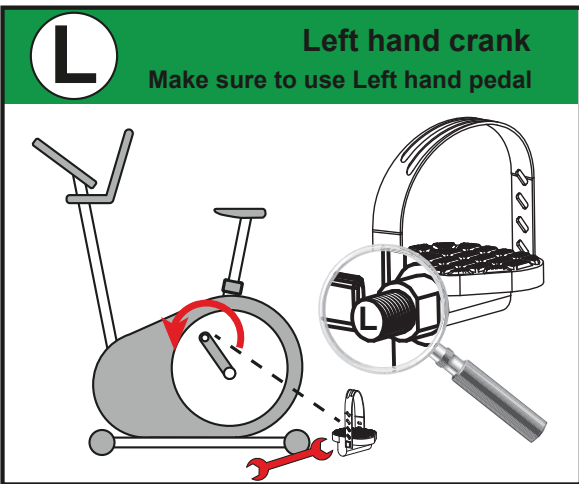
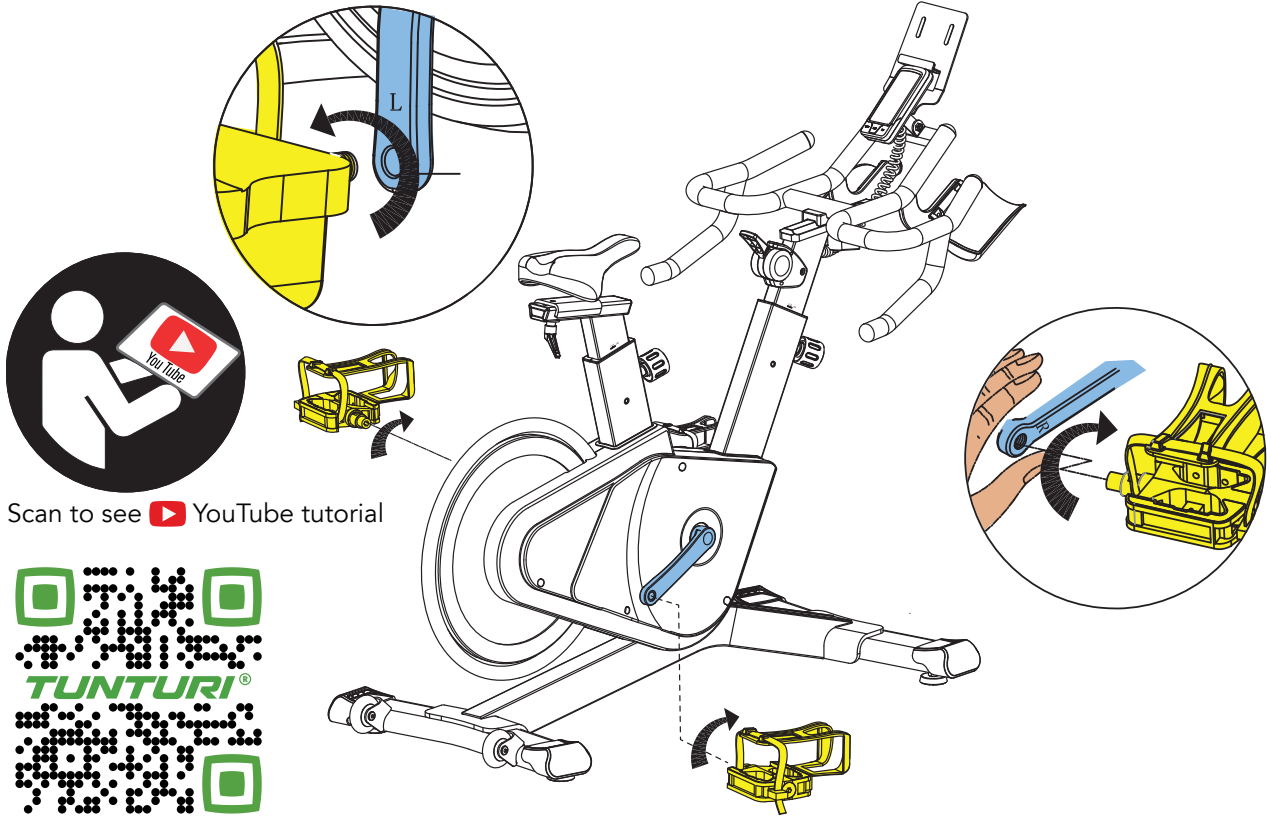



STEP 1	
② M8*1.25*20L 4pcs	③ D30*D8.2*3T 4pcs
④ D15.4*D8.2*2T 4pcs	
STEP 2	
⑤ M10*1.5*35L 1pc	⑦ D31.8*D10.5*3T 1pc
	⑧ M5*0.8*15 L 4pcs
	⑨ M5*0.8*30L 2pcs
⑩ D15*D5.2*3T 2pcs	STEP 4
STEP 3	⑪ D4*D12*13 1pc

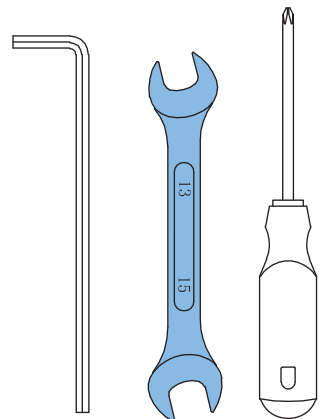




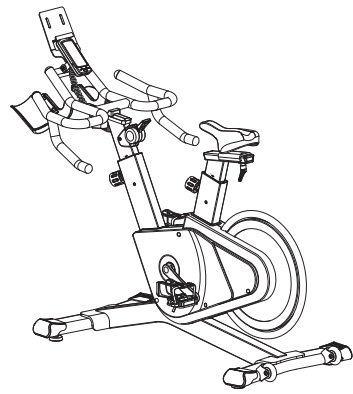
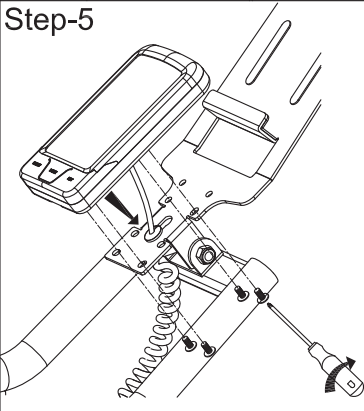
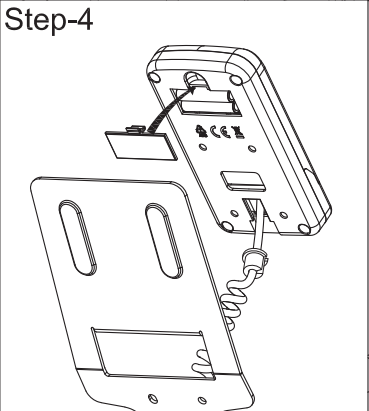
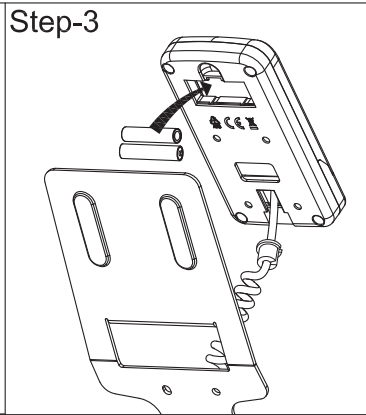
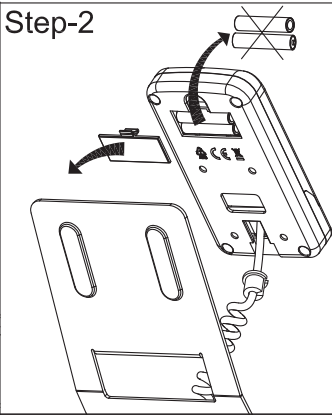
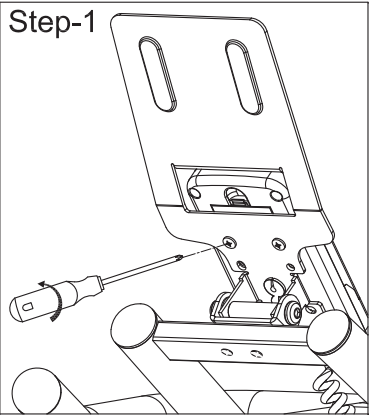
## D-05



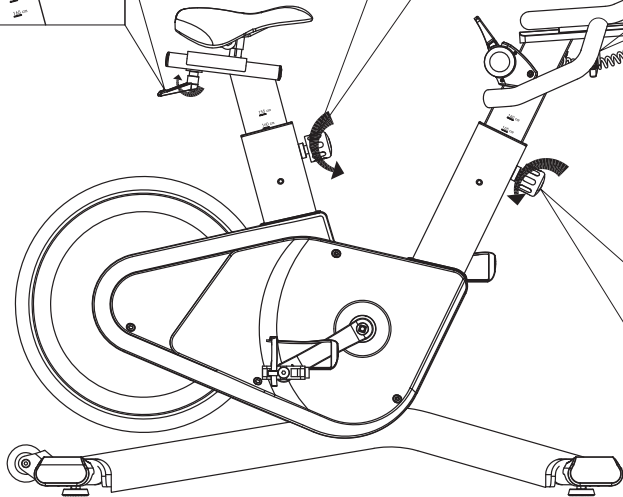
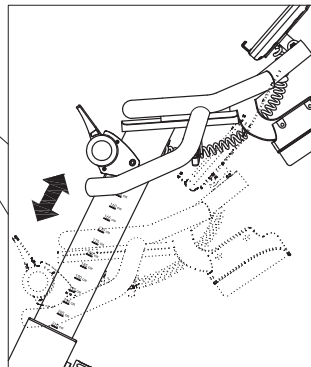
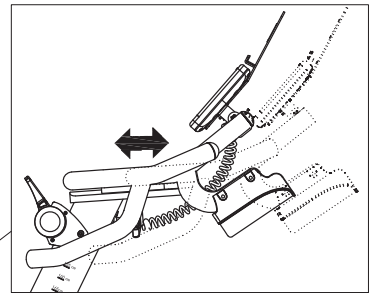
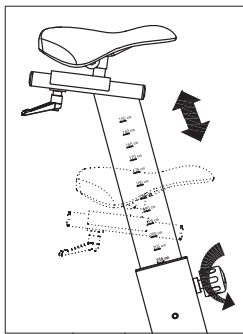
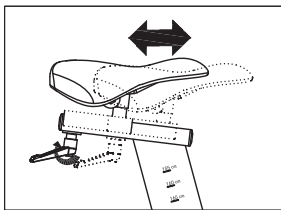
STEP 1	
② M8*1.25*20L 4pcs	③ D30*D8.2*3T 4pcs
④ D15.4*D8.2*2T 4pcs	
STEP 2	
⑤ M10*1.5*35L 1pc	⑦ D31.8*D10.5*3T 1pc
	⑧ M5*0.8*15L 4pcs
	⑨ M5*0.8*30L 2pcs
	⑩ D15*D5.2*3T 2pcs
STEP 3	
⑪ D4*D12*13 1pc	
STEP 4	



E-1



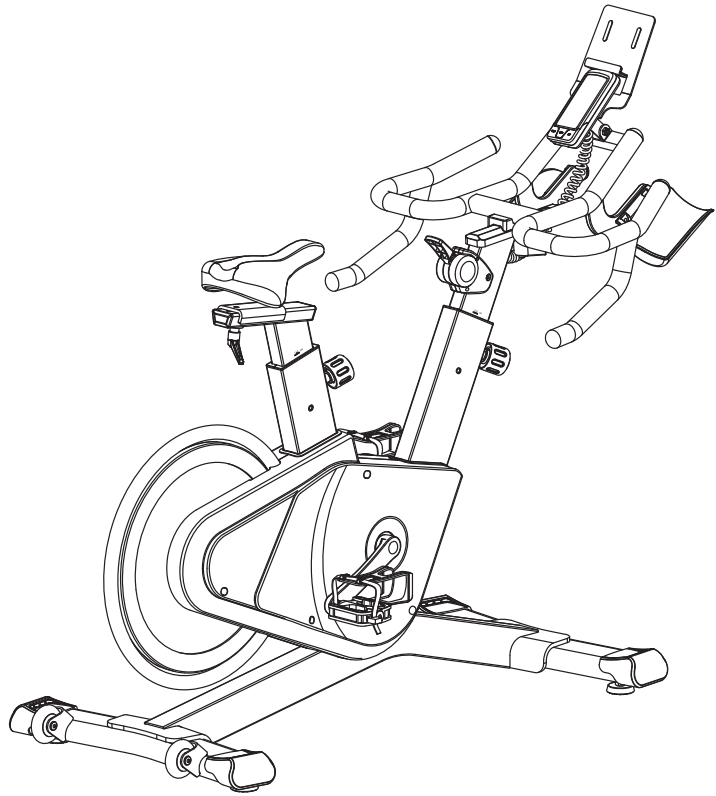
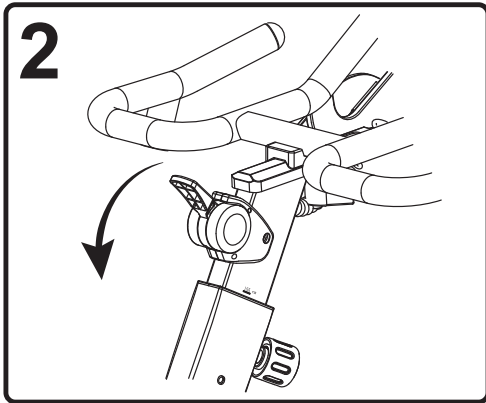
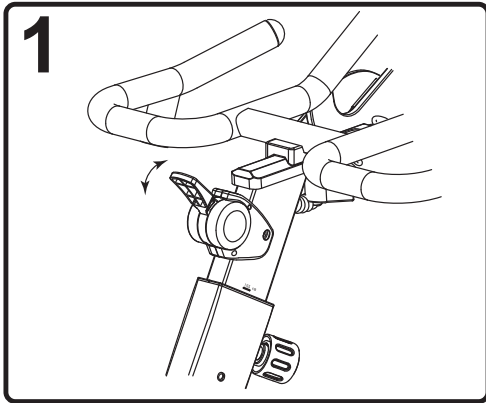
E-2



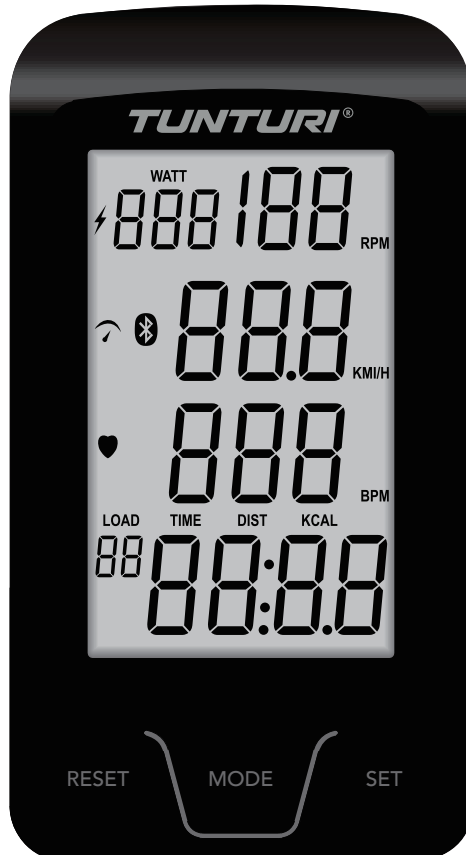


# Platinum SB10 Sprinter Bike

## F-1



## F-2



## Index

<b>Welcome</b> .....	<b>13</b>
<b>Safety warnings</b> .....	<b>13</b>
<b>Assembly instructions</b> .....	<b>14</b>
Description illustration A .....	14
Description illustration B .....	14
Description illustration C .....	14
Description illustration D .....	14
Additional assembly information .....	14
Additional environmental information .....	14
Free training area (Fig. D-0) .....	14
<b>Workouts</b> .....	<b>14</b>
Exercise Instructions .....	15
Heart rate .....	15
<b>Use</b> .....	<b>16</b>
Adjusting the support feet .....	16
Adjusting the horizontal seat position .....	16
Adjusting the vertical seat position .....	16
Adjusting the horizontal handlebar position .....	16
Adjusting the handlebar height .....	16
Adjusting resistance (Fig. G-1) .....	16
Emergency break knob (Fig. G-2) .....	16
Use our dual function pedal .....	16
Replacing the batteries (Fig. E-1) .....	17
<b>Console (Fig. F-2)</b> .....	<b>17</b>
Explanation Display functions .....	17
Explanation of buttons .....	17
Operation .....	18
Programs .....	18
Bluetooth & APP .....	18
<b>Cleaning and maintenance</b> .....	<b>18</b>
Defects and malfunctions .....	18
<b>Transport and storage</b> .....	<b>18</b>
<b>Warranty</b> .....	<b>19</b>
<b>Technical data</b> .....	<b>19</b>
<b>Declaration of the manufacturer</b> .....	<b>19</b>
<b>Disclaimer</b> .....	<b>19</b>

## Welcome

Welcome to the world of Tunturi!

Thank you for purchasing this piece of Tunturi equipment.

Tunturi offers a wide range of home fitness equipment, including crosstrainers, treadmills, exercise bikes, rowers, strength benches and multi stations. The Tunturi equipment is suitable for the entire family, no matter what fitness level. For more information, please visit our website [www.tunturi.com](http://www.tunturi.com)

### Important Safety Instructions

This manual is an essential part of your training equipment please read all instructions in this manual before you start using this equipment. The following precautions must always be followed:

## Safety warnings

### WARNING

- Read the safety warnings and the instructions. Failure to follow the safety warnings and the instructions can cause personal injury or damage to the equipment. Keep the safety warnings and the instructions for future reference.

### WARNING

- Heart rate monitoring systems may be inaccurate.
  - Over exercise may result in serious injury or death. If you feel faint stop exercising immediately.
- The equipment is suitable for domestic and professional use only (e.g. hospitals, fire stations, hotels, schools etc.).
  - The use of this equipment by children or persons with a physical, sensory, mental or motorial disability, or lack of experience and knowledge can give cause to hazards. Persons responsible for their safety must give explicit instructions or supervise the use of the equipment.
  - Before starting your workout, consult a physician to check your health.
  - If you experience nausea, dizziness or other abnormal symptoms, immediately stop your workout and consult a physician.
  - To avoid muscular pain and strain, start each workout by warming up and finish each workout by cooling down. Remember to stretch at the end of the workout.
  - The equipment is suitable for indoor use only. The equipment is not suitable for outdoor use.
  - Only use the equipment in environments with adequate ventilation. Do not use the equipment in draughty environments in order not to catch a cold.
  - Only use the equipment in environments with ambient temperatures between 10 °C and 35 °C. Only store the equipment in environments with ambient temperatures between 5 °C and 45 °C.
  - Do not use or store the equipment in humid surroundings. The air humidity must never be more than 80%.
  - Only use the equipment for its intended purpose. Do not use the equipment for other purposes than described in the manual.
  - Do not use the equipment if any part is damaged or defective. If a part is damaged or defective, contact your dealer.
  - Keep your hands, feet and other body parts away from the moving parts.
  - Keep your hair away from the moving parts.
  - Wear appropriate clothing and shoes.
  - Keep clothing, jewellery and other objects away from the moving parts.

- Make sure that only one person uses the equipment at a time. The equipment must not be used by persons weighing more than 180kg (397 lbs).
- Do not open equipment without consulting your dealer.

## Assembly instructions

---

### Description illustration A

The illustration shows what the trainer will look like after the assembly is completed.

You can use this as a reference during your assembly, but do follow the assembly steps always in the correct sequence as showed in the illustrations.

### Description illustration B

The illustration shows what components and parts you should find when un-boxing your product.

#### NOTE

- Small parts can be hidden/ packed in hollow spaces in the Styrofoam product protection
- If a part is missing, contact your dealer.

### Description illustration C

The illustration shows the hardware kit that comes with your product. The hardware kit contains bolts, washers, screws, nuts etc. and the required tools to properly fit your trainer.

### Description illustration D

The illustrations show you in the correct following order how to assemble your trainer best.

#### WARNING

- Assemble the equipment in the given order.
- Carry and move the equipment with at least two persons.

#### CAUTION

- Place the equipment on a firm, level surface.
- Place the equipment on a protective base to prevent damage to the floor surface.
- Refer to the illustrations for the correct assembly of the equipment.

#### NOTE

- Save the tools provided with this product, after you completed the product assembly, for future service purposes.

## Additional assembly information

### D5 How to fit the pedals correctly.

#### NOTE

- Right and left side are determined from an exercising positions perspective.

### Right hand pedal

Find the "R" or "L" mark on the pedal axle

- Fit the right hand pedal "R" into the right hand crank.
- Firstly turn the pedal axle in clockwise direction by hand.
- Use the wrench to fully tighten the pedal.

### Left hand pedal

- Fit the left hand pedal "L" into the left hand crank.
- Firstly turn the pedal axle in counter-clockwise direction by hand.
- Use the wrench to fully tighten the pedal.



Click to see our supportive YouTube video  
<https://youtu.be/3BiN9mc5Tmw?t=101>

#### NOTE

- Save the tools provided with this product, after you completed the product assembly, for future service purposes.

## Additional environmental information

### Packaging disposal

Government guidelines ask that we reduce the amount of waste material disposed of in land fill sites. We therefore ask that you dispose of all packaging waste responsibly at public recycling centres.

### End of life disposal

We at Tunturi hope you enjoy many years of enjoyable use from your fitness trainer. However, a Time will come when your fitness trainer will come to the end of its useful life. Under 'European WEEE Legislation you are responsible for the appropriate disposal of your fitness trainer to a recognised public collection facility.

### Free training area (Fig. D-0)

#### Front of the equipment

Allow at least 30 cm clearance in front of the equipment.

- The free training area for this section can be shared with other equipment of the same kind when both are facing each other.

#### Side of the equipment.

Allow at least 60 cm clearance on each side of the equipment.

- The free training area for this section can be shared with other equipment of the same kind when both are facing each other.

#### Rear side of the equipment

Allow at least 200 cm clearance behind the equipment.

- The free training area for this section cannot be shared with other equipment of the same kind, the extra free space required is depending on the orientation of both equipment and should be the sum of both values.

## Workouts

---

The workout must be suitably light, but of long duration. Aerobic exercise is based on improving the body's maximum oxygen uptake, which in turn improves endurance and fitness. You should perspire, but you should not get out of breath during the workout.

To reach and maintain a basic fitness level, exercise at least three times a week, 30 minutes at a time. Increase the number of exercise sessions to improve your fitness level. It is worthwhile to combine regular exercise with a healthy diet. A person committed to dieting should exercise daily, at first 30 minutes or less at a time, gradually increasing the daily workout time to one hour. Start your workout at low speed and low resistance to prevent the cardiovascular system from being subjected to excessive strain.

As the fitness level improves, speed and resistance can be increased gradually. The efficiency of your exercise can be measured by monitoring your heart rate and your pulse rate.

## Exercise Instructions

Using your fitness trainer will provide you with several benefits, it will improve your physical fitness, tone muscle and in conjunction with a calorie controlled diet help you lose weight.

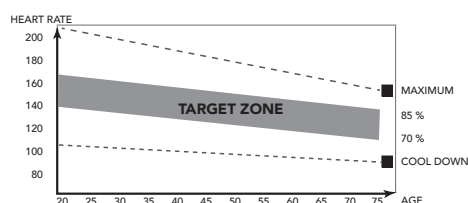
### The warming up phase

This stage helps get the blood flowing around the body and the muscles working properly. It will also reduce the risk of cramp and muscle injury. It is advisable to do a few stretching exercises as shown below. Each stretch should be held for approximately 30 seconds, do not force or jerk your muscles into a stretch - if it hurts, STOP

### The exercise phase

This is the stage where you put the effort in. After regular use, the muscles in your legs will become more flexible. Work to your but it is very important to maintain a steady tempo throughout.

The rate of work should be sufficient to raise your heart beat into the target zone shown on the graph below.



This stage should last for a minimum of 12 minutes though most people start at about 15-20 minutes

### The cool down phase

This stage is to let your Cardiovascular System and muscles wind down. This is a repeat of the warm up exercise e.g. reduce your tempo, continue for approximately 5 minutes. The stretching exercises should now be repeated, again remembering not to force or jerk your muscles into the stretch.

As you get fitter you may need to train longer and harder. It is advisable to train at least three times a week, and if possible space your workouts evenly throughout the week.

### Muscle toning

To tone muscle while on your fitness trainer you will need to have the resistance set quite high. This will put more strain on our leg muscles and may mean you cannot train for as long as you would like. If you are also trying to improve your fitness you need to alter your training program. You should train as normal during the warm up and cool down phases, but towards the end of the exercise phase you should increase resistance making your legs work harder. You will have to reduce your speed to keep your heart rate in the target zone.

### Weight loss

The important factor here is the amount of effort you put in. The harder and longer you work the more calories you will burn. Effectively this is the same as if you were training to improve your fitness, the difference is the goal.

## Heartrate

### Heart rate measurement (heart rate chest belt)

#### NOTE

- A chest strap does not come standard with this trainer. When you like to use a wireless chest strap you need to purchase this as an accessory.

The most accurate heart rate measurement is achieved with a heart rate chest belt. The heart rate is measured by a heart rate receiver in combination with a heart rate transmitter belt. Accurate heart measurement requires that the electrodes on the transmitter belt are slight moist and constantly touching the skin.

If the electrodes are too dry or too moist, the heart rate measurement will become less accurate.

#### WARNING

- If you have a pacemaker, consult a physician before using a heartrate chest belt.

#### CAUTION

- If there are several heart rate measurement devices next to each other, make sure that the distance between them is at least 1.5 metres.
- If there is only one heart rate receiver and several heart rate transmitters, make sure that only one person with a transmitter is within transmission range.

#### NOTE

- Always wear the heart rate chest belt under your clothes directly in contact with your skin. Do not wear the heart rate chest belt above your clothes. If you wear the heart rate chest belt above your clothes, there will be no signal.
- If you set a heart rate limit for your workout, an alarm will sound when it is exceeded.
- The transmitter transmits the heart rate to the console up to a distance of 1 metre. If the electrodes are not moist, the heart rate will not appear on the display.
- Some fibers in clothes (e.g. polyester, poly-amide) create static electricity which can prevent accurate heart rate measurement.
- Mobile phones, televisions and other electrical appliances create an electromagnetic field which can prevent accurate heart rate measurement.

### Maximum heart rate (during training)

The maximum heart rate is the highest heart rate a person can safely achieve through exercise stress. The following formula is used to calculate the average maximum heart rate:  $220 - \text{AGE}$ . The maximum heart rate varies from person to person.

#### WARNING

- Make sure that you do not exceed your maximum heart rate during your workout. If you belong to a risk group, consult a physician.

### Beginner

#### 50-60% of maximum heart rate

Suitable for beginners, weight-watchers, convalescents and persons who have not exercised for a long time. Exercise at least three times a week, 30 minutes at a time.

### Advanced

#### 60-70% of maximum heart rate

Suitable for persons who want to improve and maintain fitness. Exercise at least three times a week, 30 minutes at a time.

### Expert

#### 70-80% of maximum heart rate

Suitable for the fittest of persons who are used to long-endurance workouts.

## Use

---

### Adjusting the support feet

The equipment is equipped with adjustable support feet. If the equipment feels unstable, wobbly, or not levelled well, these support feet can be adjusted to make the required corrections.

- Turn the support feet in/ out as required to put the equipment in a stable and as well possible levelled position.
- Tighten the locknut's\* to lock the support feet.

#### NOTE

- The equipment is most stable when it is as low to the floor as possible. Therefore, start to level the equipment by turning all support feet fully in, before turning out the required support feet to stabilize and level the equipment.



Click to see our supportive YouTube video  
<https://youtu.be/3BiN9mc5Tmw?t=535>

### Adjusting the horizontal seat position

The horizontal seat position can be adjusted by setting the seat to the required position. (Fig. E-2)

- Loosen the seat rail by turning the quick release lever in clock wise direction.
- Move the seat to the required position.
- Tighten the seat rail by turning the quick release lever in clock wise direction.

#### NOTE

- The quick release lever is spring loaded. To reset the lever position you can pull the lever down, reposition it, and release it again.

### Adjusting the vertical seat position

The vertical seat position can be adjusted by setting the seat tube to the required position. (Fig. E-2)

With the leg almost straight, the arch of the foot must touch the pedal at its lowermost point.

- Loosen the seat tube adjustment knob.
- Move the seat tube to the required position.
- Tighten the seat tube adjustment knob.

### Adjusting the horizontal handlebar position

The horizontal handlebar position can be adjusted by setting the further or closer to the user to set it into the required position. (Fig. E-2)

- Loosen the handlebar fixture frame by turning the quick release lever in clock wise direction.
- Move the handlebar fixture frame to the required position.
- Tighten the handlebar fixture frame by turning the quick release lever in clock wise direction.

#### NOTE

- The quick release lever is spring loaded. To reset the lever position you can pull the lever down, reposition it, and release it again.

### Adjusting the handlebar height

The handlebar height can be adjusted to user height preference to get the best height and the exercise position of the user. (Fig. E-2)

- Support the handlebar before loosen the handlebar adjustment knob, loosen the knob by turning it 2 full rotations counter clockwise, and pull out the spring loaded knob.
- Hold the spring loaded knob pulled out and move the handlebar to the required position.
- When required height is found, release the spring loaded knob, and move the handlebar slightly up/ down to assure the spring loaded knob find the closed fixture position.
- Tighten the handlebar adjustment knob firmly by turning it in clockwise direction.

### Adjusting resistance (Fig. G-1)

The resistance can be adjusted to intensify or ease the workout .

- Pull the resistance lever up to reduce the tension level. The tension level is displayed on the console.
- Push the resistance lever down to increase the tension level. The tension level is displayed on the console.

#### NOTE

- The tension adjust lever is also used as an emergency break, so when pushing the lever over the maximum tension level, the friction pad of the emergency break will be activated.

### Emergency break knob (Fig. G-2)

To activate the emergency brake, press down on the brake tension lever fully and with pressure.

### Use our dual function pedal

#### **Attaching Cleats to Your Shoes:**

If you have questions it is recommended that you consult a bicycle dealer for assistance, or refer to your shoe manufacturer's instructions.

When fixing the cleat the lateral center line should be under the center of the ball of the foot. Adjust forward and backward via the slots in the shoe sole. Adjust laterally via play between cleat washer and cleat. Tighten cleats very firmly. Cleat position can be fine-tuned, according to personal preference, after trial use. It may take time to find your optimum cleat set-up.

#### **Toe Clips:**

All standard toe clips can be attached to the pedals. Use fixing hardware and installation instructions supplied with toe clips and ensure the attachment screws are firmly tightened before use.

#### **To Use Pedals:**

Engage cleated shoes in pedals by placing cleat between bindings while pushing down.

Disengage by twisting heel outwards away from exercise bike.

Binding tension is adjustable and should be set so that cleat and shoe do not disengage when pedaling. Use an Allen key to turn tension adjusting screws, clockwise to increase binding tension, counterclockwise to decrease binding tension.



## Replacing the batteries (Fig. E-1)

The console is equipped with 2xAA batteries at the rear of the console.

- Remove the console.
- Remove the old batteries.
- Insert the new batteries. Make sure that batteries match the (+) and (-) polarity markings.
- Mount the console.

### NOTE

- Empty batteries should always be recycled per your Local legal regulations to save the environment.

### WARNING

- Do not expose batteries to big temperature changes to prevent the batteries from leaking.
- To prevent your batteries from leaking, take them out if you plan on not using your device for longer periods of time.
- When inserting multiple batteries into a device, always use the same brand, the same type, and the same energy level.

## Console (Fig. F-2)

### WARNING

- Keep the console away from direct sunlight.
- Dry the surface of the console when it is covered with drops of sweat.
- Do not lean on the console.
- Only touch the display with the tip of your finger. Make sure that your nails or sharp objects do not touch the display.

### NOTE

- The console switches to standby mode when the equipment is not used for 4 minutes.

## Explanation Display functions

### RPM

- Display the rotations per minute.
- Range: 0 ~ 188 RPM.
- Without any signal being transmitted into the monitor for 4 seconds during workout, RPM will display "0"
- When workout is stopped the display scans between AVG and MAX being:
  - AVG: The average "RPM" during your latest workout.
  - MAX: The maximum reached "RMP" during your latest workout.

### TIME

- Automatically accumulates workout time when exercising.
- When setting the target value, time will count down from your target time to 0 and alarm will sound.
- Display range: 00:00 ~ 99:59.

### Speed

- Displays current training speed.
- Range 0.0 ~ 99.9 / Units: KM/H.
- Without any signal being transmitted into the monitor for 4 seconds during workout, "Speed" will display "0".
- When workout is stopped the display scans between AVG and MAX being:
  - AVG: The average "Speed" during your latest workout.
  - MAX: The maximum reached "Speed" during your latest workout.

### DIST (Distance)

- Without setting the target value, distance will count up.
- When setting the target value, distance will count down from your target distance to 0 with an alarm.
- Range 0.0 ~ 99.99 / Units: KM.

### KCAL (Calories)

- Without setting the target value, calorie will count up.
- When setting the target value, calories will count down from your target calorie to 0 with an alarm.
- Range: 0 ~ 9999 / Units: K.Cal.

### NOTE

- This data is a rough guide for comparison of different exercise sessions which cannot be used in medical treatment

### Pulse

- Current pulse will display after 6 seconds when detected by the console.
- Without any pulse signal for 6 seconds, console will display "P".
- Range: 0-30 ~ 230 BPM.
- When workout is stopped the display scans between AVG and MAX being:
  - AVG: The average "Pulse" during your latest workout.
  - MAX: The maximum reached "Pulse" during your latest workout

### WATT

- Display current workout watts.
- Range: 0 ~ 999

### LOAD

- Shows tension level setting.
- Range: 1 ~ 32

## Explanation of buttons

### Mode

In workout mode:

- Press shortly to fix the displayed parameter and hold this parameter in fixed displayed mode.
  - The display parameter name will be blinking.
- Press 1 time briefly to release the fixed display mode and activate scanning display mode again.
  - The displayed parameter name will be light constantly
- Press and hold for over 2 seconds to restart console and set all accumulating values back to "0" again.

In programming mode:

- Change parameter to set goal for .

### Set

In workout mode:

No assigned function in workout mode, when pressed the backlit will light up and a double chimes will sound as a sign of a non functional action.

In programming mode:

- Setting the goal values.
  - Press 1 time briefly to increase value with one unit at the time.
  - Press and hold to increase value rapidly.

### Reset

In workout mode:

- Press and hold for over 2 seconds to restart console and set all accumulating values back to "0" again.

In programming mode:

- Clear and reset parameter value.

## Operation

### **Power on**

- Press any key to power on the console when being in sleep mode..
- Start pedalling to power on the console when being in sleep mode.

### **Power off**

Without any signal being transmitted into the monitor for 4 minutes the monitor will enter SLEEP mode automatically. ( Active training data will be lost )

## Programs

### **Workout target setting**

- Press MODE key to cycle between the functions of: TIME, DISTANCE, KCAL & PULSE.
- Use SET key to set the target for your planned workout. Press 1 time briefly to increase value with one unit at the time. Press and hold to increase value rapidly.
- Use RESET key to clear the displayed target mode.

#### TIME TARGET MODE:

- Setting range: 1:00 ~ 99:00
- Setting units: 1:00 Minute

#### DIST TARGET MODE:

- Setting range: 0.0 ~ 99.5
- Setting units: 0.5 KM

#### KCAL TARGET MODE:

- Setting range: 10 ~ 9990 +10
- Setting units: 10 Kcal.

#### PULSE TARGET MODE:

- Setting range: 0 -3 0 ~ 230
- Setting units: 1 Bpm

### **!! NOTE**

- When leaving a target setting 0, it will not be seen as a target.

### **Console function in target mode**

- Start pedalling to start the workout at any time, and non set target values will count up.
- If a target is set for a specific value, that value will countdown, till target is reached.
- When target is reached, an beep-chimes alarm will sound shortly go notify you have reached your goal, and that specific parameter value will continue to count up when keep working out.
- When a pulse limit is set a beep-chimes alarm will sound when measured pulse exceeds the set pulse limit to notify your measured heart rate is over set target.

## Bluetooth & APP

- This console can connect with an APP on a smart device by Bluetooth (iOS & Android).
- Establish the Bluetooth connection only via the connection mode on the installed APP on your smart device.
- When the bluetooth connection between APP and console is established the console display will be dimmed.

### **!! NOTE**

- Tunturi only provides the option to connect your fitness console throughout a bluetooth connection. Therefore Tunturi cannot be held responsible for damage, or malfunctioning of products other than Tunturi products.
- Check the website for extra information.

This console can receive a Bluetooth heart-rate transmitter. There is no need to pair the device, as the console will auto detect the heart-rate transmitter when it is in range.

## Cleaning and maintenance

The equipment requires very little maintenance, please follow up on below instructions. The equipment does not require recalibration when it is assembled, used and serviced according to the instructions.

### **⚠ WARNING**

- Do not use solvents to clean the equipment.
- Clean the equipment with a soft, absorbent cloth after each use.
- Regularly check that all screws and nuts are tight.

## Defects and malfunctions

Despite continuous quality control, defects and malfunctions caused by individual parts can occur in the equipment. In most cases, it will be sufficient to replace the defective part.

- If the equipment does not function properly, immediately contact the dealer.
- Provide the model number and the serial number of the equipment to the dealer. State the nature of the problem, conditions of use and purchase date.

### **Trouble shooting:**

- When the display of LCD is dim, it means the batteries need to be changed.
- If there is no signal when you pedal, please check if the cable is well connected.

### **!! NOTE**

- When stop training for 4 minutes, the main screen will be off.
- If the computer displays abnormally, please re-install the batteries and try again.

### **Shaky or unstable feeling during use**

If the machine feels unstable or unstable during operation, it is advisable to adjust the support feet to bring the frame to the correct height. Read the instructions in this manual in section: "Use"

## Transport and storage

### **⚠ WARNING**

- Carry and move the equipment with at least two persons.
- Remain standing in front of the equipment on each side and take a sturdy grip at the handlebars. Tilt the front of the equipment so as to lift the rear of the equipment on the wheels. Move the equipment and carefully put the equipment down. Place the equipment on a protective base to prevent damage to the floor surface.
- Move the equipment carefully over uneven surfaces. Do not move the equipment upstairs using the wheels, but carry the equipment by the handlebars.
- Store the equipment in a dry place with as little temperature variation as possible.

## Warranty

### Tunturi purchaser's warranty

#### Warranty terms

The consumer is entitled to the applicable legal rights stated in the national legislation concerning the commerce of consumer goods. This warranty does not restrict these rights. The Purchaser's Warranty is only valid if the item is used in an environment approved by Tunturi New Fitness BV, and is maintained as instructed for that particular equipment. The product-specific approved environment and maintenance instructions are stated in the "user manual" of the product. The "user manual" can be downloaded from our website. <http://manuals.tunturi.com>

#### Warranty conditions

The warranty conditions commence from the date of purchase. Warranty conditions may vary per Distancery, so please consult your local dealer for the warranty conditions.

#### Warranty coverage

Under no circumstances shall Tunturi New Fitness BV or the Tunturi Distributor be liable by virtue of this warranty or otherwise for any special, indirect, secondary or consequential damages of any nature arising out of any use or inability to use this equipment.

#### Warranty limitations

This warranty covers manufacturing defects in the fitness equipment as originally packed by Tunturi New Fitness BV. The warranty shall apply only under conditions of normal, recommended use of the product as described in the Owner's Manual and providing that Tunturi New Fitness BV's instructions for installation, maintenance and use have been complied with. Neither Tunturi New Fitness BV's nor the Tunturi Distributors' obligations apply to defects due to reasons beyond their control. The warranty applies only to the original purchaser and is valid only in Distanceries where Tunturi New Fitness BV has an authorised importer. The warranty does not extend to fitness equipment or components that have been modified without the consent of Tunturi New Fitness BV. Defects resulting from normal wear, misuse, abuse, corrosion, or damage incurred during loading or transportation are not covered.

The warranty does not cover sounds or noises emitted during use where these do not substantially impede the use of the equipment and where they are not caused by a fault in the equipment. The warranty does not cover defects arising from the failure to carry periodic maintenance as outlined within the Owner's Manual for the product. Furthermore, the warranty does not cover defects arising from usage and storage within an unsuitable environment as described within the Owner's Manual which should be indoors, dry, dust and grit free and within a temperature range of +15°C to +35°C. The warranty does not cover maintenance activities, such as cleaning, lubricating, and normal part adjustments, nor installation

procedures that customers can accomplish themselves, such as changing uncomplicated meters, pedals and other similar parts not requiring any dismantling/reassembling of the fitness equipment. Warranty repairs carried out by other than authorised Tunturi representatives are not covered.

Failure to follow the instructions given in the Owner's Manual will invalidate the product's warranty.

## Technical data

Parameter	Unit of measurement	Value
Length	cm	156.0
	inch	61.4
Width	cm	59.0
	inch	23.2
Height	cm	142.0
	inch	55.9
Weight	kg	53.2
	lbs	117.3
Max. user weight	kg	180
	lbs	397
Battery size	2x	AA
Heartrate measurement available via:	Hand-grip contact	No
	5.0 KHz	No
	5.3 KHz.	Yes
	Bluetooth (BLE)	No
	ANT+	No

### IMPORTANT

The console is equipped with a 5.3 KHz receiver to prevent interference with the built in BT module operating on 5.0 KHz frequency signal.

Though by our experience a 5.0 KHz heart rate transmitter ( chest strap ) will most likely work without any problems.

## Declaration of the manufacturer

Tunturi New Fitness BV declares that the product is in conformity with the following standards and directives: EN 957 (S Class), 2014/30/EU . The product therefore carries the CE label.

11-2023

Tunturi New Fitness BV  
Purmerweg 1  
1311 XE Almere  
The Netherlands

## Disclaimer

© 2023 Tunturi New Fitness BV  
All rights reserved.

- The product and the manual are subject to change.
- Specifications can be changed without further notice.
- Check our website for the latest user manual version.

## Deutsch

Diese deutsche Bedienungsanleitung ist eine Übersetzung des englischen Textes. Es können keine Rechte auf diese Übersetzung abgeleitet werden.

## Index

<b>Willkommen</b> .....	<b>20</b>
<b>Warnhinweise zur Sicherheit</b> .....	<b>20</b>
<b>Montageanleitungen</b> .....	<b>21</b>
Beschreibung Abbildung A.....	21
Beschreibung Abbildung B.....	21
Beschreibung Abbildung C.....	21
Beschreibung Abbildung D.....	21
Zusätzliche Montagehinweise .....	21
Zusätzliche Umwelt Informationen.....	21
Freier Trainingsbereich (Abb. D-0) .....	21
<b>Trainings</b> .....	<b>21</b>
Trainingsanleitung .....	22
Herzfrequenz.....	22
<b>Gebrauch</b> .....	<b>23</b>
Einstellen des Stützfußes .....	23
Einstellen der horizontalen Sitzposition .....	23
Einstellen der vertikalen Sitzposition .....	23
Einstellen der horizontalen Lenkerposition .....	23
Einstellen der Lenkerhöhe.....	23
Einstellen des Widerstands (Abb. G-1) .....	23
Notbremsknopf (Abb. G-2) .....	23
doppelfunktionspedals.....	23
Erneuerung der Batterien (Abb. E-1) .....	24
<b>Konsole (Abb. F-2).....</b>	<b>24</b>
Erläuterung der Anzeigefunktionen .....	24
Erläuterung der Tasten .....	25
Bedienung.....	25
Programme.....	25
Bluetooth & APP .....	25
<b>Reinigung und Wartung.....</b>	<b>25</b>
Störungen und Fehlfunktionen.....	26
<b>Transport und Lagerung</b> .....	<b>26</b>
<b>Garantie</b> .....	<b>26</b>
<b>Technische Daten</b> .....	<b>27</b>
<b>Herstellereklärung</b> .....	<b>27</b>
<b>Haftungsausschluss</b> .....	<b>27</b>

## Willkommen

Willkommen in der Welt von Tunturi!

Danke, dass Sie dieses Gerät von Tunturi erworben haben. Tunturi bietet eine breite Palette an Heim-Fitnessgeräten wie beispielsweise Crosstrainer, Laufbänder, Trainingsfahrräder, Rudergeräte, Kraftbänke und Multi-Stationen an. Die Tunturi Geräte sind für die ganze Familie geeignet - ganz egal, wie fit man ist. Weitere Informationen finden Sie auf unserer Website unter [www.tunturi.com](http://www.tunturi.com)

### Wichtige sicherheitshinweise

Dieses Handbuch ist ein wesentlicher Bestandteil Ihres Trainingsgerätes. Lesen Sie es bitte sorgfältig durch, bevor Sie Ihr Trainingsgerät montieren, mit ihm trainieren oder es warten. Bitte bewahren Sie dieses Handbuch auf; es wird Sie jetzt und zukünftig darüber informieren, wie Sie Ihr Gerät benutzen und warten. Befolgen Sie diese Anweisungen immer sorgfältig.

## Warnhinweise zur Sicherheit

### ⚠️ WARNUNG

- Lesen Sie die Warnhinweise zur Sicherheit und die Anweisungen. Werden die Warnhinweise zur Sicherheit und die Anweisungen nicht befolgt, kann dies zu Personenverletzungen und Schäden am Gerät führen. Bewahren Sie die Warnhinweise zur Sicherheit und die Anweisungen zur künftigen Bezugnahme auf.

### ⚠️ WARNUNG

- Herzfrequenz-Überwachungssysteme können ungenau sein.
  - Eine Überanstrengung kann zu schweren Schädigungen oder zum Tod führen. Wenn Sie sich schwach oder ohnmächtig fühlen, stellen Sie die Übungen unverzüglich ein.
- Das Gerät ist nur für den Heim- und gewerblichen Gebrauch (z.B. Krankenhäuser, Feuerwachen, Hotels, Schulen, usw.) geeignet.
  - Wenn dieses Gerät von Kindern oder Personen mit körperlicher, sensorischer, geistiger oder motorischer Behinderung verwendet wird, oder wenn nicht genügend Erfahrung und Kenntnisse vorhanden sind, kann dies zu Gefahrensituationen führen. Personen, die für deren Sicherheit verantwortlich sind, müssen klare Anweisungen geben oder den Gebrauch des Geräts beaufsichtigen.
  - Bevor Sie Ihr Training starten, nehmen Sie Kontakt mit einem Arzt auf, um Ihre Gesundheit kontrollieren zu lassen.
  - Falls Sie Übelkeit, ein Schwindelgefühl oder andere anormale Symptome verspüren, hören Sie unverzüglich mit Ihrem Training auf und wenden Sie sich an einen Arzt.
  - Um einen Muskelkater zu vermeiden, starten Sie jedes Training mit Aufwärmen und beenden Sie es mit Abkühlen. Denken Sie daran, sich am Ende des Trainings zu dehnen.
  - Das Gerät ist nur für den Gebrauch in geschlossenen Räumen geeignet. Das Gerät ist nicht für den Gebrauch im Freien geeignet.
  - Verwenden Sie das Gerät nur in Umgebungen mit ausreichender Belüftung. Verwenden Sie das Gerät nicht in zugiger Umgebung, damit Sie sich nicht erkälten.
  - Verwenden Sie das Gerät nur in Umgebungen mit Umgebungstemperaturen zwischen 10 °C und 35 °C. Lagern Sie das Gerät nur in Umgebungen mit einer Umgebungstemperatur zwischen 5 °C und 45 °C.
  - Verwenden und lagern Sie das Gerät nicht in feuchten Umgebungen. Die Luftfeuchtigkeit darf niemals 80% überschreiten.
  - Verwenden Sie das Gerät nur bestimmungsgemäß. Verwenden Sie das Gerät nicht für einen anderen als für den in diesem Handbuch beschriebenen Zweck.

- Verwenden Sie das Gerät nicht, falls Teile beschädigt oder defekt sind. Ist ein Teil beschädigt oder defekt, wenden Sie sich an Ihren Händler.
- Halten Sie Ihre Hände, Füße und andere Körperteile von den beweglichen Teilen fern.
- Halten Sie Ihr Haar von den beweglichen Teilen fern.
- Tragen Sie entsprechende Kleidung und Schuhe.
- Halten Sie Kleidung, Schmuck und andere Gegenstände von den beweglichen Teilen fern.
- Vergewissern Sie sich, dass das Gerät nur von einer Person auf einmal verwendet wird. Das Gerät darf nicht von Personen verwendet werden, deren Gewicht 180kg (397 lbs) überschreitet.
- Öffnen Sie das Gerät nicht, ohne vorher mit Ihrem Händler zu sprechen.

## Montageanleitungen

### Beschreibung Abbildung A

Die Abbildung zeigt, wie das Gerät nach der Montage aussehen wird. Sie können diese bei der Montage als Referenz verwenden, befolgen Sie die Montageschritte aber immer in der richtigen Reihenfolge, wie in den Abbildungen gezeigt.

### Beschreibung Abbildung B

Die Abbildung zeigt, welche Komponenten und Teile in der Lieferung enthalten sein sollen.

#### HINWEIS

- Kleinteile können in Hohlräumen im Styropor-Produktschutz versteckt/verpackt werden
- Fehlt ein Teil, wenden Sie sich an Ihren Händler.

### Beschreibung Abbildung C

Die Abbildung zeigt den Zubehörsatz, der mit Ihrem Produkt geliefert wird.

Er enthält Schrauben, Unterlegscheiben, Muttern usw. sowie die erforderlichen Werkzeuge zur ordnungsgemäßen Montage Ihres Trainers.

### Beschreibung Abbildung D

Die Abbildungen zeigen Ihnen in der richtigen Reihenfolge, wie Sie Ihren Trainer am besten montieren.

#### WARNUNG

- Bauen Sie das Gerät in der angegebenen Reihenfolge zusammen.
- Tragen und bewegen Sie das Gerät mit mindestens zwei Personen.

#### VORSICHT

- Stellen Sie das Gerät auf festen, ebenen Boden.
- Stellen Sie das Gerät auf eine schützende Unterlage, um Schäden am Bodenbelag zu vermeiden.
- Der richtige Zusammenbau des Geräts geht aus den Abbildungen hervor.

### Zusätzliche Montagehinweise

#### D5 Pedale korrekt einsetzen

#### HINWEIS

- Rechte und linke Seite werden aus der Perspektive der Übungspositionen definiert.

### Rechtes Handpedal

Suchen Sie die Markierung "R" oder "L" auf der Pedalachse

- Stecken Sie das rechte Handpedal "R" in die rechte Handkurbel.
- Drehen Sie zunächst die Pedalachse von Hand im Uhrzeigersinn.
- Verwenden Sie den Schraubenschlüssel, um das Pedal vollständig festzuziehen.

### Linkes Handpedal

- Stecken Sie das linke Pedal "L" in die linke Handkurbel.

- Drehen Sie zunächst die Pedalachse von Hand gegen den Uhrzeigersinn.
- Verwenden Sie den Schraubenschlüssel, um das Pedal vollständig festzuziehen.



Klicken Sie hier, um unser unterstützendes YouTube-Video zu sehen. <https://youtu.be/3BiN9mc5Tmw?t=101>

#### HINWEIS

- Heben Sie die Werkzeuge für künftige Zwecke auf, die zu diesem Produkt geliefert wurden, wenn Sie die Montage beendet haben.

### Zusätzliche Umwelt Informationen

#### Verpackungsentsorgung

Staatliche Vorschriften sagen, dass wir die in Deponien entsorgen Abfallmengen verringern sollen. Daher bitten wir Sie, den gesamten Verpackungsabfall an öffentlichen Recyclingstellen abzugeben

#### Entsorgung am ende der Lebensdauer

Wir bei Tunturi hoffen, dass Sie Ihren Fitnesstrainer viele Jahre mit Freude nutzen werden. Jedoch wird irgendwann die Zeit kommen, wenn die Ende der Nutzungsdauer des Fitnesstrainers erreicht ist. Gemäß den europäischen WEEE-Gesetzen sind Sie für eine geeignete Entsorgung des Fitnesstrainers bei einer anerkannten öffentlichen Entsorgungsstelle verantwortlich.

### Freier Trainingsbereich (Abb. D-0)

#### Vorderseite des Geräts

Lassen Sie vor dem Gerät einen Abstand von mindestens 30 cm.

- Die freie Trainingsfläche für diesen Bereich kann mit anderen Geräten der gleichen Art geteilt werden, wenn sie einander gegenüberstehen.

#### Seite des Geräts

Lassen Sie auf jeder Seite des Geräts mindestens 60 cm Platz.

- Dieser freie Bereich kann mit anderen Geräten der gleichen Art geteilt werden, wenn sie einander gegenüberstehen.

#### Rückseite des Geräts

Lassen Sie hinter dem Gerät mindestens 200 cm Platz.

- Die freie Trainingsfläche für diesen Bereich kann nicht mit anderen Geräten der gleichen Art geteilt werden, der zusätzlich benötigte Freiraum hängt von der Ausrichtung der beiden Geräte ab und sollte die Summe beider Werte sein.

## Trainings

Das Training muss leicht und geeignet, aber von langer Dauer sein. Aerobic-Übungen basieren auf der Verbesserung der maximalen Sauerstoffaufnahme des Körpers, was wiederum die Ausdauer und Fitness verbessert. Sie sollten während des Trainings zwar ins Schwitzen, aber nicht außer Atem kommen.

Um eine Basisfitness zu erreichen und zu halten, üben Sie mindestens drei mal pro Woche 30 Minuten lang an einem Stück. Erhöhen Sie die Anzahl der Übungssitzungen, um Ihre Fitness zu verbessern. Es lohnt sich, die regelmäßigen Übungen mit einer gesunden Diät

zu kombinieren. Personen, die Diät machen, sollten täglich zuerst 30 Minuten oder weniger an einem Stück üben und die tägliche Trainingszeit allmählich auf eine Stunde verlängern. Beginnen Sie Ihr Training mit niedriger Geschwindigkeit und geringem Widerstand, um zu vermeiden, dass das Herzkreislaufsystem einer übermäßigen Belastung ausgesetzt wird. Mit sich verbessernder Fitness können Geschwindigkeit und Widerstand allmählich erhöht werden. Die Wirksamkeit Ihrer Übungen kann durch Überwachung der Herzfrequenz und Ihrer Pulsfrequenz gemessen werden.

### **Trainingsanleitung**

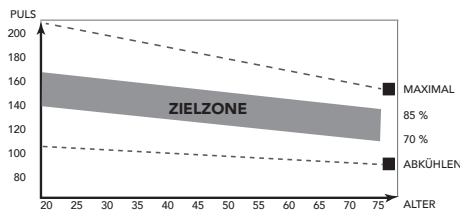
Die Verwendung des Fitnesstrainers wird Ihnen viele Vorteile bieten: Er verbessert Ihre körperliche Fitness, formt die Muskeln und hilft Ihnen, in Verbindung mit einer kalorienreduzierten Diät, Gewicht zu verlieren.

#### **Die Aufwärm-Phase**

Der Blutkreislauf wird angeregt und die Muskelfunktionen werden unterstützt. Außerdem wird das Risiko von Krämpfen und Muskelverletzungen gesenkt. Sie sollten, wie unten angezeigt, einige Dehnungsübungen machen. Sie sollten weder die Dehnungsbewegung erzwingen noch die Muskeln dabei ruckweise bewegen - wenn Sie Schmerzen haben, sollten Sie AUFHÖREN.

#### **Die Trainings-Phase**

In dieser Phase strengen Sie sich an. Nach regelmäßiger Verwendung werden die Muskeln in Ihren Beinen beweglicher. In dieser Phase ist es sehr wichtig, immer ein gleichmäßiges Tempo beizubehalten. Die Anstrengung sollte ausreichen, um Ihren Herzschlag bis in die Zielzone zu erhöhen, die im folgenden Diagramm dargestellt ist.



Diese Phase sollte mindestens 12 Minuten dauern; die meisten Menschen beginnen mit ca. 15 bis 20 Minuten.

#### **Die Abkühlungs-Phase**

Sie dient der Entspannung Ihres Herz-Kreislaufsystems und Ihrer Muskeln. Dabei werden die Aufwärmübungen wiederholt, reduzieren Sie zum Beispiel Ihr Tempo und machen Sie ca. 5 Minuten weiter. Jetzt sollten die Dehnübungen wiederholt werden. Denken Sie wiederum daran, weder die Dehnungsbewegung zu erzwingen noch die Muskeln dabei ruckweise zu bewegen. Wenn Sie fitter werden, kann es sein, dass Sie länger und härter trainieren müssen. Sie sollten mindestens drei Mal die Woche trainieren und, falls möglich, Ihre Trainingseinheiten gleichmäßig über die Woche verteilen.

#### **Muskelformung**

Um Ihre Muskeln beim Training auf dem Fitnesstrainer zu formen, müssen Sie den Widerstand ziemlich hoch einstellen. Dadurch werden die Beinmuskeln mehr angestrengt und Sie können möglicherweise nicht so lange trainieren, wie Sie möchten. Wenn Sie außerdem Ihre Fitness verbessern möchten, müssen Sie Ihr Trainingsprogramm ändern. Sie sollten in den Aufwärm- und Abkühlphasen normal trainieren, jedoch gegen Ende der Trainingsphase den Widerstand erhöhen, damit Ihre Beine härter arbeiten müssen. Sie müssen die Geschwindigkeit verringern, damit Ihre Herzfrequenz in der Zielzone bleibt.

### **Gewichtsabnahme**

Der wichtige Faktor ist, wie sehr Sie sich anstrengen. Je härter und je länger Sie trainieren, desto mehr Kalorien verbrennen Sie. Dies ist im Grunde dasselbe, wie wenn zur Verbesserung Ihrer Fitness trainieren, nur das Ziel ist ein anderes.

### **Herzfrequenz**

#### **Herzfrequenzmessung (Herzfrequenz-Brustgürtel)**

##### **⚠ HINWEIS**

- Ein Herzfrequenz-Brustgürtel gehört bei diesem Trainer nicht zum Standard. Wenn Sie einen drahtlosen Brustgürtel verwenden möchten, müssen Sie diesen als Zubehör erwerben.

Die genaueste Herzfrequenzmessung lässt sich mit einem Herzfrequenz-Brustgürtel erzielen. Die Herzfrequenz wird mit einem Herzfrequenzempfänger in Kombination mit einem Herzfrequenz-Sendegürtel gemessen. Für eine genaue Herzfrequenzmessung ist es erforderlich, dass die Elektroden am Sender etwas feucht sind und die Haut konstant berühren. Sind die Elektroden zu trocken oder zu feucht, wird die Herzfrequenzmessung weniger genau.

##### **⚠ WARNUNG**

- Falls Sie einen Schrittmacher haben, wenden Sie sich zunächst an einen Arzt, bevor Sie einen Herzfrequenz-Brustgürtel verwenden.

##### **⚠ VORSICHT**

- Falls sich mehrere Herzfrequenz-Messgeräte in gegenseitiger Nähe befinden, vergewissern Sie sich, dass der Abstand zwischen ihnen mindestens 1,5 Meter beträgt.
- Falls nur ein Herzfrequenzempfänger und mehrere Herzfrequenzsender vorhanden sind, vergewissern Sie sich, dass nur eine Person mit einem Sender in Sendereichweite ist.

##### **⚠ HINWEIS**

- Tragen Sie den Herzfrequenz-Brustgürtel stets mit direktem Hautkontakt unter Ihrer Kleidung. Tragen Sie den Herzfrequenz-Brustgürtel nicht auf Ihrer Kleidung. Falls Sie den Herzfrequenz-Brustgürtel auf Ihrer Kleidung tragen, gibt es kein Signal.
- Wenn Sie sich einen Herzfrequenz-Grenzwert für Ihr Training setzen, ertönt beim Überschreiten ein Signal.
- Der Sender überträgt die Herzfrequenz in einem Abstand bis zu 1 Meter zur Konsole. Sind die Elektroden nicht feucht, erscheint die Herzfrequenz nicht auf der Anzeige.
- Einige Fasern in der Kleidung (z.B. Polyester, Polyamid) erzeugen statische Elektrizität, die eine genaue Herzfrequenzmessung verhindern kann.
- Mobiltelefone, Fernsehgeräte und andere Elektrogeräte erzeugen ein elektromagnetisches Feld, das eine genaue Herzfrequenzmessung verhindern kann.

#### **Maximale Herzfrequenz (während des Trainings)**

Die maximale Herzfrequenz ist die höchste Herzfrequenz, die eine Person durch Übungsbelastung sicher erzielen kann. Folgende Formel wird zur Berechnung der durchschnittlichen maximalen Herzfrequenz verwendet:  $220 - \text{ALTER}$ . Die maximale Herzfrequenz variiert von Person zu Person.

##### **⚠ WARNUNG**

- Stellen Sie sicher, dass Sie während des Trainings Ihre maximale Herzfrequenz nicht überschreiten. Falls Sie einer Risikogruppe angehören, wenden Sie sich an einen Arzt.

**Anfänger****50-60% der maximalen Herzfrequenz**

Geeignet für Anfänger, Gewicht- Beobachter, Genesende und Personen, die schon lange nicht mehr trainiert haben. Trainieren Sie mindestens dreimal pro Woche 30 Minuten an einem Stück.

**Fortgeschritten****60-70% der maximalen Herzfrequenz**

Geeignet für Personen, die ihre Fitness verbessern und halten wollen. Trainieren Sie mindestens dreimal pro Woche 30 Minuten an einem Stück.

**Experte****70-80% der maximalen Herzfrequenz**

Geeignet für die fittesten Personen, die sich an lange Ausdauertrainings gewöhnt haben.

**Gebrauch****Einstellen des Stützfußes**

Das Gerät ist mit einstellbaren Stützfüßen ausgestattet. Wenn sich das Gerät instabil, wackelig oder nicht gut nivelliert anfühlt, können diese Stützfüße eingestellt werden, um die erforderlichen Korrekturen vorzunehmen.

- Drehen Sie die Stützfüße nach Bedarf ein/aus, um das Gerät in eine stabile und möglichst waagerechte Position zu bringen.
- Ziehen Sie die Kontermuttern\* an, um die Stützfüße zu arretieren.

**!!! HINWEIS**

- Das Gerät ist am stabilsten, wenn es so niedrig wie möglich auf dem Boden steht. Beginnen Sie daher mit der Nivellierung des Geräts, indem Sie alle Stützfüße ganz hineindrehen, bevor Sie die erforderlichen Stützfüße zur Stabilisierung und Nivellierung des Geräts herausdrehen.



Klicken Sie hier, um unser unterstützendes YouTube-Video zu sehen. <https://youtu.be/3BiN9mc5Tmw?t=535>

**Einstellen der horizontalen Sitzposition**

Die horizontale Sitzposition kann durch Einstellen des Sattels in die gewünschte Position angepasst werden. (Fig. E-2)

- Lösen Sie die Sitzschiene, indem Sie den Schnellspannhebel im Uhrzeigersinn drehen.
- Bewegen Sie den Sattel in die gewünschte Position.
- Ziehen Sie die Sitzschiene fest, indem Sie den Schnellspannhebel im Uhrzeigersinn drehen.

**!!! HINWEIS**

- Der Schnellspannhebel ist federbelastet. Um die Position des Hebels zurückzusetzen, können Sie den Hebel nach unten ziehen, ihn neu positionieren und wieder loslassen.

**Einstellen der vertikalen Sitzposition**

Die vertikale Sitzposition kann durch Einstellen des Sitzrohrs auf die erforderliche Position eingestellt werden. (Abb. E-2)

Wenn das Bein fast gerade ist, muss das Fußgewölbe das Pedal am untersten Punkt berühren.

- Lösen Sie den Sitzrohreinstellknopf.
- Bewegen Sie das Sitzrohr in die erforderliche Position.
- Ziehen Sie den Sitzrohreinstellknopf an.

**Einstellen der horizontalen Lenkerposition**

Die horizontale Lenkerposition kann durch Einstellen des Lenkers weiter oder näher zum Benutzer hin in die gewünschte Position gebracht werden. (Abb. E-2)

- Lösen Sie den Rahmen der Lenkerbefestigung, indem Sie den Schnellspannhebel im Uhrzeigersinn drehen.
- Bringen Sie den Rahmen der Lenkerbefestigung in die gewünschte Position.
- Ziehen Sie den Rahmen der Lenkerbefestigung fest, indem Sie den Schnellspannhebel im Uhrzeigersinn drehen.

**!!! HINWEIS**

- Der Schnellspannhebel ist federbelastet. Um die Position des Hebels zurückzusetzen, können Sie den Hebel nach unten ziehen, ihn neu positionieren und wieder loslassen.

**Einstellen der Lenkerhöhe**

Die Lenkerhöhe kann auf die vom Benutzer gewünschte Höhe eingestellt werden, um die beste Höhe und Trainingsposition des Benutzers zu erreichen. (Abb. E-2)

- Stützen Sie den Lenker ab, bevor Sie den Lenkereinstellknopf lösen, lösen Sie den Knopf, indem Sie ihn 2 volle Umdrehungen gegen den Uhrzeigersinn drehen, und ziehen Sie den federbelasteten Knopf heraus.
- Halten Sie den federbelasteten Knopf herausgezogen und bringen Sie den Lenker in die gewünschte Position.
- Wenn die gewünschte Höhe gefunden ist, lassen Sie den federbelasteten Knopf los und bewegen Sie den Lenker leicht nach oben/unten, um sicherzustellen, dass der federbelastete Knopf die verriegelte Befestigungsposition findet.
- Ziehen Sie den Einstellknopf für den Lenker fest an, indem Sie ihn im Uhrzeigersinn drehen.

**Einstellen des Widerstands (Abb. G-1)**

Der Widerstand kann eingestellt werden, um das Training zu intensivieren oder zu erleichtern.

- Ziehen Sie den Widerstandshebel nach oben, um den Widerstand zu verringern.  
Die Spannungsstufe wird auf der Konsole angezeigt.
- Drücken Sie den Widerstandshebel nach unten, um die Spannung zu erhöhen.  
Die Spannungsstufe wird auf der Konsole angezeigt.

**!!! HINWEIS**

- Der Spannungsverstellhebel wird auch als Notbremse verwendet. Wenn Sie den Hebel über die maximale Spannungsstufe hinaus drücken, wird der Bremsbelag der Notbremse aktiviert.

**Notbremsenknopf (Abb. G-2)**

Um die Notbremse zu aktivieren, drücken Sie den Bremsspannhebel vollständig und mit Druck nach unten.

**doppelfunktionspedals****Pedalplatten an Ihren Schuhen anbringen:**

Bei Fragen sollten Sie sich an einen Radhändler oder Ihren Schuhhersteller wenden.

Wenn Sie die Pedalplatten anbringen, sollte sich die zentrale seitliche Linie unter der Mitte des Fußballens befinden. Die Horizontaleinstellung erfolgt über die Ösen in der Schuhsole. Die Seiteneinstellung erfolgt über das Spiel zwischen Scheibe und Stollen. Pedalplatten gut festziehen. Die Pedalplattenposition kann genau eingestellt werden, je nach persönlicher Vorliebe und nach



einem Testlauf. Es kann einige Zeit dauern, bevor Sie Ihre optimale Position gefunden haben.

## **Pedalhaken:**

Alle Standard-Pedalhaken können an diesen Pedalen angebracht werden. Verwenden Sie die Befestigungen, die mit den Pedalhaken geliefert wurden und halten Sie sich an die mitgelieferte Anleitung und achten Sie darauf, dass die Schrauben vor der Verwendung gut festgezogen sind.

## **Pedale verwenden:**

Klicken Sie die Schuhe mit den Pedalplatten in die Pedale ein, indem Sie die Platten zwischen die Bindungen stecken und nach unten drücken.

Lösen Sie die Platte, indem Sie die Schuhe nach außen weg vom Rad drehen.

Die Bindungsstärke ist einstellbar und sollte so sein, dass die Pedalplatte und der Schuhe beim Treten nicht herausrutschen.

Verwenden Sie einen Inbusschlüssel zur Einstellung der Bindungsstärke. Drehen Sie die Schraube im Uhrzeigersinn, um die Bindungsstärke zu erhöhen und gegen den Uhrzeigersinn, um die Bindungsstärke zu verringern.

## **Erneuerung der Batterien (Abb. E-1)**

Die Konsole hat hinten 2x AA Batterien.

- Entfernen Sie die Abdeckung.
- Entfernen Sie die alten Batterien.
- Setzen Sie die neuen Batterien ein. Vergewissern Sie sich, dass die Batterien entsprechend den (+) und (-) Polaritätszeichen eingesetzt werden.
- Bringen Sie die Abdeckung an.

### **⚠ HINWEIS**

- Leere Batterien sollten immer gemäß den örtlichen gesetzlichen Bestimmungen recycelt werden, um die Umwelt zu schützen.

### **⚠ WARNUNG**

- Setzen Sie die Batterien keinen großen Temperaturschwankungen aus, um ein Auslaufen zu verhindern.
- Um zu verhindern, dass die Batterien auslaufen, sollten Sie sie herausnehmen, wenn Sie Ihr Gerät längere Zeit nicht benutzen wollen.
- Wenn Sie mehrere Batterien in ein Gerät einlegen, verwenden Sie immer dieselbe Marke, denselben Typ und dieselbe Energiestufe.

## **Konsole (Abb. F-2)**

### **⚠ VORSICHT**

- Halten Sie die Konsole von direkter Sonneneinstrahlung fern.
- Trocknen Sie die Oberfläche der Konsole, wenn Sie mit Schweißtropfen bedeckt ist.
- Lehnen Sie sich nicht auf die Konsole.
- Berühren Sie die Anzeige nur mit Ihrer Fingerspitze. Vergewissern Sie sich, dass Ihre Nägel oder andere scharfe Gegenstände die Anzeige nicht berühren.

### **⚠ HINWEIS**

- Die Konsole schaltet in den Standby-Modus, wenn das Gerät 4 Minuten lang nicht verwendet wird.

## **Erläuterung der Anzeigefunktionen**

### **RPM**

- Anzeige der Umdrehungen pro Minute.
- Bereich: 0 ~ 188 RPM.
- Wenn während des Trainings 4 Sekunden lang kein Signal an den Monitor übertragen wird, wird bei RPM „0“ angezeigt.
- Wenn das Training gestoppt wird, wechselt die Anzeige zwischen AVG und MAX.  
AVG: Die durchschnittliche Umdrehung pro Minute während Ihres letzten Trainings.  
MAX: Das während Ihres letzten Trainings erreichte Maximum an Umdrehungen pro Minute.

### **TIME**

- Summiert automatisch die Trainingszeit.
- Bei Einstellung eines Zielwerts wird die Zeit vom Zielwert aus auf 0 herabgezählt mit einem Alarmsignal.
- Anzeigebereich: 00:00 ~ 99:59.

### **SPEED**

- Aktuelle Trainingsgeschwindigkeit wird angezeigt.
- Bereich 0,0 ~ 99,9 / Einheiten: KM/H
- Wenn während des Trainings 4 Sekunden lang kein Signal an den Monitor übertragen wird, zeigt die Anzeige „Speed“ eine „0“ an.
- Wenn das Training gestoppt wird, wechselt die Anzeige zwischen AVG und MAX.  
AVG: Die durchschnittliche Geschwindigkeit während Ihres letzten Trainings.  
MAX: Die maximal erreichte Geschwindigkeit während Ihres letzten Trainings.

### **DIST (Entfernung)**

- Ohne Einstellung des Zielwerts wird die Distanz summiert.
- Bei Einstellung eines Zielwerts wird die Distanz von der Zielentfernung aus auf 0 herabgezählt mit einem Alarmsignal.
- Bereich 0,0 ~ 99,99 / Einheiten: KM.

### **KCAL (Kalorien)**

- Ohne Einstellung des Zielwerts werden die Kalorien summiert.
- Bei Einstellung des Zielwerts werden die Kalorien von Ihrem Zielwert für Kalorien auf 0 herabgezählt mit einem Alarmsignal.
- Bereich: 0 ~ 9999 / Einheiten: K.Cal.

### **⚠ HINWEIS**

- Diese Daten sind ein grober Anhaltspunkt für den Vergleich verschiedener Trainingssitzungen. Sie können jedoch nicht für eine medizinische Behandlung verwendet werden

### **PULSE (PULS)**

- Aktueller Puls wird nach sechs Sekunden angezeigt, wenn dieser von der Konsole erkannt wird.
- Wenn sechs Sekunden lang kein Puls-Signal vorhanden ist, zeigt die Konsole „P“ an.
- Bereich: 0-30~ 230 BPM
- Wenn das Training gestoppt wird, wechselt die Anzeige zwischen AVG und MAX.  
AVG: Der durchschnittliche Puls während Ihres letzten Trainings.  
MAX: Der maximal erreichte Puls während Ihres letzten Trainings

### **WATT**

- Aktuelle Trainings-Watt werden angezeigt.
- Bereich: 0 ~ 999

### **LOAD**

- Zeigt den eingestellten Spannungswert an.
- Bereich: 1 ~ 32



## Erläuterung der Tasten

### **MODE (Modus)**

Im Trainingsmodus:

- Drücken Sie kurz, um den angezeigten Parameter zu fixieren, und halten Sie diesen Parameter im fixierten Anzeigemodus. Der Name des Anzeigeparameters blinkt.
- Drücken Sie 1 Mal kurz darauf, um den festen Anzeigemodus aufzuheben und den Scananzeigemodus wieder zu aktivieren. Der angezeigte Parametername leuchtet ständig
- Halten Sie die Taste länger als 2 Sekunden gedrückt, um die Konsole neu zu starten und alle aufgelaufenen Werte wieder auf "0" zu setzen.

Im Programmiermodus:

- Ändern Sie den Parameter, für den Sie ein Ziel setzen wollen.

### **SET**

Im Trainingsmodus:

Keine zugewiesene Funktion im Trainingsmodus, wenn die Taste gedrückt wird, leuchtet die Hintergrundbeleuchtung, auf und ein doppelter Gong ertönt als Zeichen für eine nicht funktionale Aktion.

Im Programmiermodus:

- Festlegung der Zielwerte.  
Drücken Sie 1 Mal kurz, um den Wert um jeweils eine Einheit zu erhöhen.  
Gedrückt halten, um den Wert schnell zu erhöhen.

### **RESET**

Im Trainingsmodus:

- Halten Sie die Taste länger als 2 Sekunden gedrückt, um die Konsole neu zu starten und alle aufgelaufenen Werte wieder auf „0“ zu setzen.

Im Programmiermodus:

- Parameterwert löschen und zurücksetzen.

## Bedienung

### **Einschalten**

- Drücken Sie auf eine beliebige Taste, wenn sich die Konsole im Ruhemodus befindet.
- Treten Sie in die Pedale, wenn sich die Konsole im Ruhemodus befindet.

### **Ausschalten**

Wenn vier Sekunden lang ohne Training kein Signal auf den Monitor übertragen wird, wird dieser automatisch in den Ruhemodus geschaltet (SLEEP).

## Programme

### **Einstellung der Trainingsziele**

- Drücken Sie die Taste MODE-Taste, um zwischen den Funktionen zu wechseln. ZEIT, DISTANZ, KCAL UND PULS.
- Verwenden Sie die SET-Taste, um das Ziel für Ihr geplantes Training festzulegen.  
Drücken Sie 1 Mal kurz, um den Wert um jeweils eine Einheit zu erhöhen.  
Gedrückt halten, um den Wert schnell zu erhöhen.
- Verwenden Sie die RESET-Taste, um den angezeigten Zielmodus zu löschen.

### **ZEITZIELMODUS:**

- Einstellbereich: 1:00 ~ 99:00
- Einheiten einstellen: 1:00 Minute

### **DIST TARGET MODE:**

- Einstellbereich: 0.0 ~ 99:5 %
- Einheiten einstellen: 0,5 KM

### **KCAL-ZIELMODUS:**

- Einstellbereich: 10 ~ 9990 +10
- Einheiten einstellen: 10 Kcal.

### **PULSZIELMODUS:**

- Einstellbereich: 0 -3 0 ~ 230
- Einheiten einstellen: 1 Bpm

### **!!! HINWEIS**

- Wenn ein Zielwert bei 0 belassen wird, wird er nicht als Ziel betrachtet.

### **Konsolenfunktion im Zielmodus**

- Beginnen Sie mit dem Treten der Pedale, um das Training zu starten. Alle nicht eingestellten Zielwerte werden hochgezählt.
- Wenn ein bestimmter Sollwert eingestellt wurde, wird von diesem Wert ausgehend herabgezählt, bis das Ziel erreicht ist.
- Wenn das Ziel erreicht ist, ertönt ein kurzer Signalton, der Sie darüber informiert, dass Sie Ihr Ziel erreicht haben, und dieser spezifische Parameterwert wird weiter hochgezählt, wenn Sie weiter trainieren.
- Wenn ein Pulsgrenzwert eingestellt ist, ertönt ein Signalton, wenn der gemessene Puls den eingestellten Pulsgrenzwert überschreitet, um darauf hinzuweisen, dass Ihre gemessene Herzfrequenz über dem eingestellten Zielwert liegt.

## Bluetooth & APP

- Diese Konsole kann über Bluetooth eine Verbindung mit ein APP auf dem Smart-Gerät herstellen. (iOS & Android)
- Erstellen Sie die Bluetooth-Verbindung nur über den Verbindungsmodus auf die installierte APP auf ihr Smartphone oder Tablet
- Wenn die Konsole mit dem Smart-Gerät über Bluetooth verbunden ist, wird die Konsole ausgeschaltet.

### **!!! HINWEIS**

- Tunturi bietet nur die Option an, die Fitness-Konsole über eine Bluetooth-Verbindung anzuschließen. Daher ist Tunturi nicht für Schäden oder Fehlfunktionen von Produkten verantwortlich, die nicht von Tunturi sind.
- Überprüfen Sie die Website für zusätzliche Informationen

Diese Konsole kann einen Bluetooth-Herzfrequenzsender empfangen. Das Gerät muss nicht gekoppelt werden, da die Konsole den Herzfrequenzsender automatisch erkennt, wenn er sich in Reichweite befindet.

## Reinigung und Wartung

Das Gerät ist sehr wartungsarm, bitte beachten Sie die nachfolgenden Hinweise. Das Gerät muss nicht neu kalibriert werden, wenn es gemäß den Anweisungen montiert, verwendet und gewartet wird.

### **⚠️ WARNUNG**

- Verwenden Sie KEINE Lösungsmittel.
- Reinigen Sie das Gerät nach jedem Gebrauch mit einem weichen, saugfähigen Tuch.
- Prüfen Sie regelmäßig, ob alle Schrauben und Muttern fest angezogen sind.



## Störungen und Fehlfunktionen

Trotz ständiger Qualitätskontrolle können durch Einzelteile verursachte Störungen und Fehlfunktionen am Gerät auftreten. In den meisten Fällen ist es ausreichend, das defekte Teil zu erneuern.

- Falls das Gerät nicht ordnungsgemäß funktioniert, wenden Sie sich unverzüglich an den Händler.
- Nennen Sie dem Händler Modell- und Seriennummer des Geräts. Schildern Sie die Art des Problems, die Gebrauchsbedingungen und das Kaufdatum.

### Fehlersuche:

- Wenn die LCD-Anzeige verdunkelt ist, sollten die Batterien ausgetauscht werden.
- Wenn Sie in die Pedale treten und kein Signal erfolgt, überprüfen Sie bitte, ob das Kabel richtig angeschlossen ist.

### !!! HINWEIS

- Der Hauptbildschirm wird vier Minuten nach einem Trainingstopp ausgeschaltet.
- Wenn der Computer ungewöhnliche Dinge anzeigt, legen Sie die Batterien bitte erneut ein und versuchen Sie es noch einmal.

## Wackeliges oder instabiles Gefühl während des Gebrauchs

Wenn sich die Maschine während des Betriebs als instabil oder instabil anfühlt, ist es ratsam, die Stützfüße so einzustellen, dass der Rahmen auf die richtige Höhe gebracht wird. Lesen Sie die Anweisungen in diesem Handbuch in Abschnitt: "Gebrauch"

## Transport und Lagerung

### ⚠️ WARNUNG

- Tragen und bewegen Sie das Gerät mit mindestens zwei Personen.
- Bleiben Sie vor dem Gerät auf beiden Seiten und halten Sie die Handgriffe sicher fest. Heben Sie die Vorderseite des Geräts an, damit die Hinterseite auf die Räder gehoben wird. Bewegen Sie das Gerät und setzen Sie es vorsichtig ab. Stellen Sie das Gerät auf eine schützende Unterlage, um Schäden am Bodenbelag zu vermeiden.
- Bewegen Sie das Gerät vorsichtig über unebene Böden. Bewegen Sie das Gerät nicht auf den Rädern Treppen herauf, sondern tragen Sie es an den Handgriffen.
- Lagern Sie das Gerät an einem trockenen Ort mit möglichst wenig Temperaturschwankungen.

## Garantie

### Eigentümer-garantie für Tunturi fitnessgeräte.

#### Garantiebedingungen

Der Käufer hat Anspruch auf die anwendbaren Bestimmungen, die in der jeweiligen nationalen Gesetzgebung für den Handel mit Konsumgütern festgelegt sind. Diese Garantie schränkt diese Rechte nicht ein. Die Garantie des Käufers gilt nur, wenn der Artikel in einer Umgebung verwendet und nach Anweisung gewartet wird, die von Tunturi New Fitness BV für dieses Gerät genehmigt wurde. Die produktspezifisch zugelassene Umgebung und Wartungshinweise sind im "Benutzerhandbuch" des Produkts angegeben. Das "Benutzerhandbuch" kann von unserer Website heruntergeladen werden. <http://manuals.tunturi.com>

### Garantiedauer

Die Garantie gilt ab Kaufdatum. Die Garantiedauer kann sich je nach Land unterscheiden. Bitte wenden Sie sich an Ihren zuständigen Händler, um die Garantiedauer zu erfahren.

### Garantieumfang

Unter keinen Umständen haften die Tunturi New Fitness BV oder der Tunturi-Vertragshändler für dem Käufer möglicherweise zugefügte indirekte Schäden wie Gebrauchsbeeinträchtigung oder Einkommensverlust oder anderen wirtschaftlichen Folgeschäden.

### Einschränkungen der garantie

Die Garantie deckt durch Herstellung oder Material hervorgerufene Fehler des Fitnessgeräts in dessen ursprünglicher Zusammensetzung. Unter Voraussetzung, dass die Aufbau-, Pflege- und Gebrauchsanweisungen von Tunturi befolgt wurden, erstreckt sich die Garantie auf solche Fehler, die bei normaler und einem dem Gerät beiliegenden Anleitungsbuch entsprechender Benutzung auftreten können. Die Tunturi New Fitness BV und der Tunturi-Vertragshändler haften nicht für Fehler, die durch Faktoren außerhalb ihrer Einflussmöglichkeiten hervorgerufen wurden. Die Garantie gilt nur für den ursprünglichen Eigentümer und nur in den Ländern, in denen es einen von der Tunturi New Fitness BV autorisierten Importeur gibt. Die Garantie gilt nicht für solche Fitnessgeräte oder Teile, an denen ohne Zustimmung der Tunturi New Fitness BV Veränderungen vorgenommen worden sind. Die Garantie betrifft auch nicht solche Schäden, die durch natürlichen Verschleiß, fehlerhaften Gebrauch, Benutzung unter für das Gerät nicht vorgesehenen Umständen, Korrosion, Verladung oder Transport hervorgerufen wurden.

Ersatzleistungen aufgrund von Geräuschen, die beim Einsatz des Geräts auftreten, sind von der Garantie ausgeschlossen, sofern diese Geräusche den Gebrauch des Geräts nicht wesentlich beeinträchtigen und nicht durch einen Gerätefehler bedingt sind.

Die Garantie beinhaltet keine Wartungsmaßnahmen, wie Reinigung, Schmieren oder normales Kontrollieren der Teile, auch nicht solche Aufbaumaßnahmen, die der Kunde selbst ausführen kann und die kein spezielles Auseinander- oder Zusammenbauen des Fitnessgeräts erfordern. Zu solchen Maßnahmen gehört beispielsweise das Austauschen von Cockpits, Pedalen oder anderer entsprechender einfacher Teile. Andere als die durch einen autorisierten Tunturi-Vertreter ausgeführten Garantieleistungen werden nicht ersetzt. Durch unsachgemäße, d.h. nicht der Bedienungsanleitung entsprechenden, Bedienung, verfällt jedweder Garantieanspruch.

## Technische Daten

Parameter	Maßeinheit	Wert
Länge	cm	156.0
	inch	61.4
Breite	cm	59.0
	inch	23.2
Körpergröße	cm	142.0
	inch	55.9
Gewicht	kg	53.2
	lbs	117.3
Max. Benutzergewicht	kg	180
	lbs	397
Batteriegröße	2x	AA
Herzdatenmessung verfügbar über:	Handgriffkontakt	Nein
	5.0 Khz	Nein
	5,3 Khz.	Ja
	Bluetooth (BLE)	Nein
	ANT+	Nein

### WICHTIGER HINWEIS

Die Konsole ist mit einem 5,3 Khz-Empfänger ausgestattet, um Interferenzen mit dem eingebauten BT-Modul zu vermeiden, das mit einem 5,0 Khz-Frequenzsignal arbeitet.

Daher können wir nicht garantieren, dass ein 5.0 Khz Brustgurt von Ihrer Konsole empfangen werden kann. Unserer Erfahrung nach funktioniert ein 5,0 Khz Herzfrequenz-Sender (Brustgurt) höchstwahrscheinlich ohne Probleme, dies kann aber nicht garantiert werden.

## Herstellereklärung

Tunturi New Fitness BV erklärt hiermit, dass das Produkt folgenden Normen und Richtlinien entspricht: EN 957 (S Class), 2014/30/EU . Das Produkt trägt daher das CE-Kennzeichen.

11-2023

Tunturi New Fitness BV  
Purmerweg 1  
1311 XE Almere  
The Netherlands

## Haftungsausschluss

© 2023 Tunturi New Fitness BV  
Alle Rechte vorbehalten.

- Produkt und Handbuch können geändert werden.
- Die technischen Daten können ohne Vorankündigung geändert werden.
- Auf unserer Website finden Sie die neueste Version des Benutzerhandbuchs.

**Français**

Ce manuel français est une traduction de la version anglaise. Notez que la version anglaise est en tête dans le contenu lorsque des différences sont trouvées.

**Indice**

<b>Bienvenue</b> .....	<b>28</b>
<b>Avertissements de sécurité</b> .....	<b>28</b>
<b>Instructions de montage</b> .....	<b>29</b>
Illustration de description A .....	29
Illustration de description B .....	29
Illustration de description C .....	29
Illustration de description D .....	29
Informations complémentaires de montage .....	29
Informations environnementale supplémentaires .....	29
Zone de formation libre (Fig. D-0).....	29
<b>Exercices</b> .....	<b>30</b>
Instructions d'entraînement .....	30
Fréquence cardiaque .....	30
<b>Usage</b> .....	<b>31</b>
Réglage des pieds de support.....	31
Régler la position horizontale du siège.....	31
Réglage de la position verticale de la selle.....	31
Régler la position horizontale du guidon .....	31
Régler la hauteur du guidon .....	31
Régler la résistance (Image G-1) .....	32
Bouton d'arrêt d'urgence (Image G-2).....	32
Utilisation de la pédale à double fonction .....	32
Remplacement des piles (fig. E-1).....	32
<b>Console (fig. F-2)</b> .....	<b>32</b>
Explication des fonctions à l'écran .....	32
Explication des boutons .....	33
Fonctionnement .....	33
Programmes .....	33
Bluetooth & APP .....	34
<b>Nettoyage et entretien</b> .....	<b>34</b>
Défauts et dysfonctionnements .....	34
<b>Transport et rangement</b> .....	<b>34</b>
<b>Garantie</b> .....	<b>34</b>
<b>Données techniques</b> .....	<b>35</b>
<b>Déclaration du fabricant</b> .....	<b>35</b>
<b>Limite de responsabilité</b> .....	<b>35</b>

**Bienvenue**

Bienvenue dans l'univers de Tunturi Fitness !

Merci pour votre achat de cet élément d'équipement Tunturi.

Tunturi offre toute une gamme d'équipements de fitness professionnels, notamment des vélos elliptiques, tapis de course, vélos d'appartement, rameurs, bancs de musculation, multi stations et accessoires. Les équipements Tunturi sont parfaits pour toute la famille, quel que soit le niveau de forme de ses membres. Pour en savoir plus, visitez notre site Web [www.tunturi.com](http://www.tunturi.com)

**Consignes de sécurité importantes**

Lisez attentivement ce mode d'emploi avant d'assembler, d'utiliser ou d'effectuer l'entretien de votre appareil sportif. Veuillez conserver ce guide, il contient les renseignements dont vous aurez besoin, maintenant et plus tard, pour utiliser et entretenir votre appareil. Suivez toujours les instructions très rigoureusement.

**Avertissements de sécurité**
**⚠️ AVERTISSEMENT**

- Lisez les avertissements de sécurité et les instructions. Le non respect des avertissements de sécurité et des instructions est une source de blessure et de dégâts de l'équipement. Conservez les avertissements de sécurité et les instructions pour référence ultérieure.

**⚠️ AVERTISSEMENT**

- Les systèmes de suivi de la fréquence cardiaque peuvent être inexacts. Un exercice excessif peut entraîner des blessures graves voire mortelles. Si vous vous sentez défaillir, interrompez immédiatement l'exercice.
- L'équipement est adapté à un usage domestique et professionnel uniquement (par ex. hôpitaux, caserne de pompiers, hôtels, écoles, etc.).
- L'emploi de cet équipement par des enfants ou des personnes affectés d'un handicap physique, sensoriel, mental ou moteur, voire dont l'expérience ou les connaissances s'avèrent insuffisantes est une source de risques. Les personnes chargées de leur sécurité doivent leur fournir des instructions explicites ou superviser leur usage de l'équipement.
- Avant de commencer vos exercices, effectuez un bilan de santé auprès d'un médecin.
- Si vous êtes pris de nausées ou de vertiges ou sentez d'autres symptômes normaux pendant l'entraînement, interrompez immédiatement la session et consultez votre médecin.
- Afin d'éviter toutes douleurs et tensions musculaires, commencez vos séances par des échauffements et terminez-les par une récupération. N'oubliez pas de vous étirer après vos exercices.
- L'équipement est uniquement adapté à un usage intérieur. L'équipement ne convient pas à un usage extérieur.
- Utilisez l'équipement uniquement dans des environnements correctement ventilés. N'utilisez pas l'équipement dans des endroits exposés aux courants d'air afin de ne pas vous enrhumier.
- Utilisez l'équipement uniquement à une température ambiante entre 10 °C et 35 °C. Rangez l'équipement uniquement à une température ambiante entre 5 °C et 45 °C.
- N'utilisez et ne rangez pas l'équipement dans un environnement humide. L'humidité de l'air ne doit jamais dépasser 80 %.
- Utilisez l'équipement uniquement pour son usage prévu. N'utilisez pas l'équipement pour d'autres usages que ceux décrits dans le manuel.

- N'utilisez pas l'équipement si l'une de ses pièces est endommagée ou défectueuse. Si une pièce est endommagée ou défectueuse, contactez votre revendeur.
- Maintenez vos mains, vos pieds et les autres parties de votre corps à l'écart des pièces mobiles.
- Maintenez votre chevelure à l'écart des pièces mobiles.
- Portez des vêtements et des chaussures adaptés.
- Maintenez les vêtements, bijoux et autres objets à l'écart des pièces mobiles.
- Assurez-vous qu'une seule personne utilise l'équipement à la fois. L'équipement ne doit pas être utilisé par des personnes pesant plus de 180kg (397 lbs).
- N'ouvrez pas l'équipement sans consulter votre revendeur.

## Instructions de montage

### Illustration de description A

Cette illustration montre ce à quoi le trainer ressemblera une fois le montage terminé.

Vous pouvez l'utiliser au titre de référence lors du montage mais suivez bien les étapes de montage dans l'ordre indiqué tel que les illustrations le montrent.

### Illustration de description B

Cette illustration montre les composants et les pièces que vous devez trouver après avoir déballé le produit.

#### REMARQUE

- Les petites pièces peuvent être cachées/rangées dans des espaces de la protection en polystyrène du produit.
- Si une pièce manque, contactez votre revendeur.

### Illustration de description C

Cette illustration montre le kit de quincaillerie fourni avec le produit. Le kit de quincaillerie contient des boulons, des rondelles, des vis, des écrous, etc. ainsi que les outils vous permettant d'installer correctement votre trainer.

### Illustration de description D

Ces illustrations vous indiquent l'ordre de montage correct pour monter votre trainer.

#### AVERTISSEMENT

- Assemblez l'équipement dans l'ordre indiqué.
- Deux personnes au moins sont nécessaires pour transporter et déplacer l'équipement.

#### PRÉCAUTION

- Placez l'équipement sur une surface plane et ferme.
- Placez l'équipement sur une base protectrice pour éviter d'endommager la surface du sol.
- Consultez les illustrations pour l'assemblage correct de l'équipement.

## Informations complémentaires de montage

### D5 Comment installer correctement les pédales

#### REMARQUE

- La droite et la gauche sont définies du point de vue de la position lors de l'exercice.

#### Pédale droite

Cherchez l'indication « R » (droite) ou « L » (gauche) sur l'axe de la pédale.

- Installez la pédale droite portant l'indication « R » sur le bras de pédale droit.
- Faites d'abord tourner manuellement l'axe de la pédale dans le sens des aiguilles d'une montre.
- Utilisez la clé pour bien serrer la pédale.

#### Pédale gauche

- Installez la pédale gauche portant l'indication « L » sur le bras de pédale gauche.
- Faites d'abord tourner manuellement l'axe de la pédale dans le sens inverse des aiguilles d'une montre.
- Utilisez la clé pour bien serrer la pédale.



Cliquez pour voir notre vidéo YouTube d'assistance  
<https://youtu.be/3BiN9mc5Tmw?t=101>

#### NOTE

- Conservez les outils livrés avec ce produit après son montage, pour d'éventuels entretiens.

## Informations environnementale supplémentaires

### Élimination des emballages

Les réglementations gouvernementales nous demandent de réduire la quantité de matériaux déposés dans les décharges. C'est pour cela que nous faisons appel à votre responsabilité et vous demandons de déposer les emballages dans des centres de recyclage publics.

### Élimination du produit

Chez Tunturi, nous espérons que vous profiterez longtemps de votre appareil de fitness. Cependant, nous savons bien qu'un jour ou l'autre votre machine arrivera au terme de sa vie utile. Selon la directive européenne sur les DEEE, vous êtes responsable de vous séparer correctement de votre appareil de fitness en le déposant dans un site public agréé de récupération des déchets.

### Zone de formation libre (Fig. D-0)

#### Avant de l'équipement

Prévoyez un espace d'au moins 30 cm devant l'appareil.

- La zone d'entraînement libre peut être partagée avec d'autres équipements de même type lorsque les deux se font face.

#### Côté de l'équipement.

Prévoyez un dégagement d'au moins 60 cm de chaque côté de l'équipement.

- La zone d'entraînement libre peut être partagée avec d'autres équipements de même type lorsque les deux se font face.

#### Arrière de l'équipement

Prévoyez un espace d'au moins 200 cm derrière l'équipement.

- La zone d'entraînement libre ne peut pas être partagée avec d'autres équipements de même type. L'espace libre supplémentaire requis dépend de l'orientation des deux équipements et doit correspondre à la somme des deux valeurs.

## Exercices

Un exercice doit être suffisamment léger mais prolongé. L'exercice aérobie repose sur l'amélioration de l'absorption maximum d'oxygène par le corps, améliorant à son tour l'endurance et la forme. Vous devez transpirer mais sans jamais être à bout de souffle durant l'exercice.

Pour atteindre et entretenir un niveau de forme basique, exercez-vous au moins 3 fois par semaine, par session de 30 minutes. Accroissez le nombre des sessions d'exercice pour améliorer votre niveau de forme. Il est profitable de combiner un exercice régulier et un régime sain. Une personne suivant un régime doit s'exercer au quotidien, au début 30 minutes ou moins pour chaque session afin d'accroître ensuite progressivement le temps d'exercice quotidien pour atteindre une heure. Commencez vos exercices à une vitesse lente et avec une faible résistance pour éviter de soumettre le système cardiovasculaire à une contrainte excessive. À mesure de l'amélioration de votre forme, accroissez progressivement la vitesse et la résistance. L'efficacité de votre exercice est mesurable en suivant votre fréquence cardiaque et votre pouls.

### Instructions d'entraînement

L'utilisation de votre appareil de fitness vous procurera plusieurs avantages : il vous permettra d'améliorer votre forme physique, de tonifier vos muscles et, associé à un régime hypocalorique, de perdre du poids.

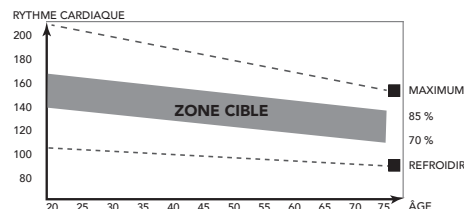
#### Phase d'échauffement

Cette étape favorise la circulation du sang dans tout le corps et le bon fonctionnement des muscles. Elle réduit également le risque de crampes et de lésions musculaires.

Il est conseillé de faire quelques exercices d'étirement, comme ceux qui sont indiqués ci-dessous. Chaque étirement doit être maintenu pendant environ 30 secondes. Ne forcez pas ou n'étirez pas excessivement un muscle. Si vous sentez qu'une position vous fait mal, ARRÊTEZ.

#### Phase d'exercice

C'est l'étape principale de votre entraînement. Après une utilisation régulière de l'appareil, vous sentirez que les muscles de vos jambes ont gagné en souplesse. Il est très important de maintenir un rythme régulier tout au long de la séance. Le rythme de travail doit être suffisant pour faire monter votre rythme cardiaque dans la zone cible indiquée sur le graphique ci-dessous.



Cette étape doit durer au moins 12 minutes, bien que l'on commence généralement à environ 15-20 minutes.

#### Phase de refroidissement

Cette étape a pour objectif de laisser votre système cardiovasculaire et vos muscles reprendre leur rythme normal. Il s'agit d'une répétition de l'exercice d'échauffement. Baissez le rythme et continuez pendant environ 5 minutes. Vous devez ensuite refaire les exercices d'étirement et souvenez-vous de ne pas forcer ou trop étirer un muscle dans une certaine position.

À mesure que vous améliorerez votre forme, vous ressentirez peut-être le besoin de vous entraîner plus longtemps ou de faire des entraînements plus poussés. Il est conseillé de s'entraîner au moins trois fois par semaine et, si possible, d'espacer les séances régulièrement tout au long de la semaine.

### Tonification musculaire

Pour tonifier vos muscles à l'aide de l'appareil de fitness, vous devrez sélectionner une résistance assez élevée. Les muscles de vos jambes seront davantage sollicités et vous ne pourrez peut-être pas vous entraîner aussi longtemps que vous le voudriez. Si vous souhaitez également améliorer votre forme, vous devrez modifier votre programme d'entraînement. Entraînez-vous normalement pendant les phases d'échauffement et de refroidissement, mais vers la fin de l'exercice, augmentez la résistance en faisant travailler vos jambes davantage. Vous devrez réduire la vitesse pour maintenir votre rythme cardiaque dans la zone cible.

### Perte de poids

Ici, le facteur important est l'effort que vous déployez. Plus vous entraînez longtemps et de manière soutenue, plus vous brûlerez de calories. C'est en réalité le même principe que pour l'entraînement d'amélioration de la forme ; la différence est l'objectif recherché.

### Fréquence cardiaque

#### Mesure de la fréquence cardiaque (sangle thoracique de fréquence cardiaque)

##### NOTE

- Une sangle de poitrine ne vient pas standard avec cet entraîneur. Lorsque vous souhaitez utiliser une sangle de poitrine sans fil, vous devez l'acheter en tant qu'accessoire.

La sangle thoracique de fréquence cardiaque assure la mesure de fréquence cardiaque la plus précise. La fréquence cardiaque est mesurée par un récepteur combiné à la sangle thoracique de fréquence cardiaque. Une mesure précise de la fréquence cardiaque nécessite des électrodes de sangle émettrice légèrement humides et en contact constant avec la peau. Si les électrodes sont trop sèches ou humides, la mesure de la fréquence cardiaque peut devenir moins précise.

##### AVERTISSEMENT

- Si vous portez un stimulateur cardiaque, consultez votre médecin avant d'utiliser une sangle thoracique de fréquence cardiaque.

##### PRÉCAUTION

- Si plusieurs dispositifs de mesure de la fréquence cardiaque sont proches les uns des autres, assurez-vous qu'ils sont au moins distants de 2 mètres.
- En présence d'un récepteur unique de fréquence cardiaque pour plusieurs émetteurs, assurez-vous qu'une seule personne avec un émetteur est à portée de transmission.

##### NOTE

- Portez toujours la sangle thoracique de fréquence cardiaque sous vos vêtements, en contact direct avec votre peau. Ne portez pas votre sangle thoracique de fréquence cardiaque par-dessus vos vêtements. Si vous portez la sangle thoracique de fréquence cardiaque sur vos vêtements, il n'y a pas de signal.
- Si vous réglez une fréquence cardiaque limite pour votre exercice, une alarme retentit dès qu'elle est dépassée.
- L'émetteur transmet la fréquence cardiaque à une console jusqu'à une distance de 1,5 mètre. Si les électrodes ne sont pas suffisamment mouillées, votre fréquence cardiaque ne s'affiche pas.

- Certaines fibres des vêtements (par ex. polyester, polyamide) créent de l'électricité statique qui peut empêcher la mesure précise de la fréquence cardiaque.
- Les téléphones portables, télévisions et autres appareils électriques créent un champ électromagnétique susceptible d'empêcher une mesure précise de la fréquence cardiaque.

### Fréquence cardiaque maximum (durant l'exercice)

La fréquence cardiaque maximum est la fréquence la plus élevée qu'une personne peut atteindre en toute sécurité sous la contrainte de l'exercice. La formule suivante sert à calculer la fréquence cardiaque maximum moyenne :  $220 - \text{ÂGE}$  La fréquence cardiaque maximum varie d'une personne à l'autre.

#### AVERTISSEMENT

- Assurez-vous de ne pas dépasser votre fréquence cardiaque maximum durant l'exercice. Si vous appartenez à un groupe à risque, consultez un médecin.

### Débutant

#### 50-60% de fréquence cardiaque maximum

Adapté aux débutants, aux personnes suivant leur poids, aux convalescents et aux personnes ne s'exerçant pas depuis un certain temps. Exercez-vous au moins trois fois par semaine, par session de 30 minutes.

### Avancé

#### 60-70% de fréquence cardiaque maximum

Adapté aux personnes souhaitant améliorer et entretenir leur forme. Exercez-vous au moins trois fois par semaine, par session de 30 minutes.

### Expert

#### 70-80% de fréquence cardiaque maximum

Adapté aux personnes les plus en forme, habituées aux exercices d'endurance prolongés.

## Usage

### Réglage des pieds de support

L'équipement est équipé de pieds de support réglables.

Si l'équipement semble instable, bancal ou n'est pas de niveau, vous pouvez régler ces pieds de support afin de procéder aux corrections nécessaires.

- Tournez les pieds de support vers l'intérieur/vers l'extérieur tel que cela est nécessaire afin de stabiliser l'équipement et pour qu'il soit bien de niveau.
- Serrez les contre-écrous\* pour verrouiller les pieds de support.

#### REMARQUE

- L'équipement est plus stable lorsqu'il est aussi près que possible du sol. Par conséquent, commencez à mettre l'équipement de niveau en tournant complètement tous les pieds de support vers l'intérieur avant de les tourner vers l'extérieur afin de stabiliser l'équipement et de le mettre de niveau.



Cliquez pour voir notre vidéo YouTube d'assistance  
<https://youtu.be/3BiN9mc5Tmw?t=535>

### Régler la position horizontale du siège

La position horizontale du siège peut être réglée en installant le siège dans la position requise. (Fig. E-2)

- Desserrez le rail du siège en tournant le levier de dégagement rapide dans le sens des aiguilles d'une montre.
- Déplacez le siège dans la position requise.
- Serrez le rail du siège en tournant le levier de dégagement rapide dans le sens des aiguilles d'une montre.

#### REMARQUE

- Le levier de dégagement rapide est à ressort. Pour réinitialiser la position du levier, vous pouvez tirer le levier vers le bas, le repositionner et le relâcher à nouveau.

### Réglage de la position verticale de la selle

La position verticale de la selle est réglable en amenant le tube de selle à la position requise. (Fig. E-2)

Avec la jambe pratiquement droite, la voûte plantaire doit toucher la pédale en son point le plus bas.

- Desserrez le bouton de réglage du tube de selle.
- Amenez le tube de selle à la position requise.
- Serrez le bouton de réglage du tube de selle.

### Régler la position horizontale du guidon

La position horizontale du guidon peut être réglée en éloignant ou en rapprochant le guidon de l'utilisateur pour le mettre dans la position souhaitée. (Fig. E-2)

- Détachez le cadre de fixation du guidon en tournant le levier de blocage rapide dans le sens des aiguilles d'une montre.
- Déplacez le cadre de fixation du guidon dans la position requise.
- Serrez le cadre de fixation du guidon en tournant le levier de blocage rapide dans le sens des aiguilles d'une montre.

#### REMARQUE

- Le levier de dégagement rapide est à ressort. Pour réinitialiser la position du levier, vous pouvez tirer le levier vers le bas, le repositionner et le relâcher à nouveau.

### Régler la hauteur du guidon

La hauteur du guidon peut être ajustée selon les préférences de hauteur de l'utilisateur pour obtenir la meilleure hauteur et la meilleure position d'exercice de l'utilisateur. (Fig. E-2)

- Soutenez le guidon avant de desserrer le bouton de réglage du guidon, desserrez le bouton en le tournant de deux tours complets dans le sens inverse des aiguilles d'une montre, et retirez le bouton à ressort.
- Maintenez le bouton à ressort tiré vers l'extérieur et déplacez le guidon dans la position souhaitée.
- Lorsque la hauteur requise est trouvée, relâchez le bouton à ressort et déplacez le guidon légèrement vers le haut/bas pour vous assurer que le bouton à ressort trouve la position de fixation fermée.
- Serrez fermement le bouton de réglage du guidon en la tournant dans le sens des aiguilles d'une montre.

### Régler la résistance (Image G-1)

La résistance peut être réglée pour intensifier ou faciliter l'entraînement.

- Tirez le levier de résistance vers le haut pour réduire le niveau de tension.  
Le niveau de tension est affiché sur la console.
- Poussez le levier de résistance vers le bas pour augmenter le niveau de tension.  
Le niveau de tension est affiché sur la console.

### REMARQUE

- Le levier de réglage de la tension est également utilisé comme frein d'urgence. En poussant le levier au-delà du niveau de tension maximum, le patin de friction du frein d'urgence est activé.

### Bouton d'arrêt d'urgence (Image G-2)

Pour activer le frein d'urgence, appuyez à fond et avec force sur le levier de tension du frein.

### Utilisation de la pédale à double fonction

Si vous avez des questions, veuillez consulter un distributeur de vélos pour obtenir de l'aide ou reportez-vous aux instructions du fabricant de chaussures.

Lorsque vous fixez la cale, la ligne centrale latérale doit se trouver sous le centre de la pointe du pied. Réglez vers l'avant et vers l'arrière via les logements dans la semelle de la chaussure. Réglez latéralement via le jeu entre la rondelle de la cale et la cale. Serrez les cales fermement. La position des cales peut être réglée finement en fonction des préférences personnelles après un essai. Cela peut prendre un certain temps avant de trouver la configuration optimale.

### Cale-pieds:

Tous les cale-pieds standard peuvent être fixés aux pédales. Utilisez les instructions d'installation et de fixation du matériel fournis avec les cale-pieds et veillez à ce que les vis soient correctement serrées avant utilisation.

### Pour utiliser les pédales:

Engagez vos chaussures à cales dans les pédales en plaçant la cale entre les fixations en appuyant vers le bas.  
Désengagez en tordant le talon vers l'extérieur du vélo.  
La tension de fixation est réglable et doit être réglée de manière à ce que la cale et la chaussure ne se désengagent pas pendant l'exercice. Utilisez une clé Allen pour régler les vis de tension, dans le sens horlogique pour augmenter la tension et dans le sens contraire pour la réduire.

### Remplacement des piles (fig. E-1)

La console comporte 2x AA sur sa partie arrière.

- Retirez le cache.
- Retirez les piles usagées.
- Insérez les nouvelles piles. Assurez-vous de respecter les indications de polarité (+) et (-).
- Montez le cache.

### REMARQUE

- Les piles usagées doivent toujours être recyclées conformément aux réglementations locales afin de préserver l'environnement.

### AVERTISSEMENT

- N'exposez pas les piles à de grands changements de température pour éviter qu'elles ne coulent.
- Pour éviter que vos piles ne coulent, retirez-les si vous prévoyez de ne pas utiliser votre appareil pendant de longues périodes.
- Lorsque vous insérez plusieurs piles dans un appareil, utilisez toujours la même marque, le même type et le même niveau d'énergie.

### Console (fig. F-2)

### PRÉCAUTION

- Maintenez la console à l'écart de la lumière directe du soleil.
- Séchez la surface de la console dès qu'elle est couverte de gouttes de sueur.
- Ne vous appuyez pas sur la console.
- Touchez l'affichage uniquement avec le bout du doigt. Assurez-vous de ne pas toucher l'affichage avec vos ongles ou des objets coupants.

### NOTE

- La console passe en mode de veille si l'équipement n'est pas utilisé pendant 4 minutes.

### Explication des fonctions à l'écran

#### RPM

- Affiche les rotations par minute.
- Plage : 0 ~ 188 TR/MIN.
- Si aucun signal n'est transmis dans le moniteur pendant 4 secondes pendant l'entraînement, l'écran en mode TR/MIN affichera « 0 ».
- Lorsque l'entraînement est interrompu, l'affichage passe de AVG (la valeur moyenne) à MAX (la valeur maximale) :  
AVG : Le « TR/MIN » moyen lors de votre dernière séance d'entraînement.  
MAX : Le « TR/MIN » maximum atteint lors de votre dernière séance d'entraînement.

#### TIME

- Additionne automatiquement la durée de l'entraînement.
- Lorsque vous définissez la valeur cible, la durée sera décomptée à partir de votre objectif de temps jusqu'à 0 et l'alarme retentira.
- Plage d'affichage : 00:00 ~ 99:59.

#### SPEED

- Affiche la vitesse d'entraînement actuelle.
- Plage 0,0 ~ 99,9 / Unités : KM/H.
- Si aucun signal n'est transmis au moniteur pendant 4 secondes pendant l'entraînement, « Vitesse » affichera « 0 ».
- Lorsque l'entraînement est interrompu, l'affichage passe de AVG (la valeur moyenne) à MAX (la valeur maximale) :  
AVG : La « vitesse » moyenne lors de votre dernière séance d'entraînement.  
MAX : La « vitesse » maximale atteinte lors de votre dernière séance d'entraînement.

#### DIST (Distance)

- Sans réglage de valeur de votre objectif, la durée augmente.
- Lorsque vous réglez la valeur cible, la distance sera décomptée à partir de la distance de votre objectif jusqu'à 0 à l'aide d'une l'alarme.
- Plage 0,0 ~ 99,99 / Unités : KM.



## KCAL (Calories)

- Sans réglage de valeur cible, les calories augmentent.
- Lorsque vous réglez la valeur cible, les calories seront décomptées à partir de votre objectif de calories jusqu'à 0 et l'alarme retentira.
- Plage : Unités : K.Cal.

### REMARQUE

- Ces données sont fournies à titre indicatif pour comparer différentes séances d'entraînement. Elles ne doivent pas être utilisées dans le cadre d'un traitement médical.

## PULSE (POULS)

- Le pouls actuel s'affiche après 6 secondes de la détection par la console.
- Sans aucun signal de pouls pendant 6 secondes, la console affichera « P ».
- Plage : 0-30~ 230 BPM
- Lorsque l'entraînement est interrompu, l'affichage passe de AVG (la valeur moyenne) à MAX (la valeur maximale) :  
AVG : Le « pouls » moyen lors de votre dernière séance d'entraînement.  
MAX : Le « pouls » maximum atteint lors de votre dernière séance d'entraînement

## WATT

- Affiche les watts de l'entraînement en cours.
- Plage : 0 ~ 999

## LOAD

- Indique le réglage du niveau de tension.
- Plage : 1 ~ 32

## Explication des boutons

### MODE

En mode entraînement :

- Appuyez brièvement pour fixer le paramètre affiché et maintenez ce paramètre en mode d'affichage fixe.  
Le nom du paramètre affiché clignote.
- Appuyez brièvement 1 fois pour quitter le mode d'affichage fixe et activez à nouveau le mode d'affichage par balayage.  
Le nom du paramètre affiché s'allume en permanence
- Appuyez sur la touche et maintenez-la enfoncée pendant plus de 2 secondes pour redémarrer la console et remettre toutes les valeurs accumulées à « 0 ».

En mode programmation :

- Modifiez le paramètre pour lequel l'objectif doit être fixé. .

### SET

En mode entraînement :

Aucune fonction assignée en mode entraînement, lorsqu'on appuie sur la touche, le rétroéclairage s'allume et un double carillon retentit pour indiquer que l'action n'est pas fonctionnelle.

En mode programmation :

- Fixer les valeurs de l'objectif.  
Appuyez brièvement 1 fois pour augmenter la valeur d'une unité à la fois.  
Maintenez la touche enfoncée pour augmenter rapidement la valeur.

## RESET

En mode entraînement :

- Appuyez sur la touche et maintenez-la enfoncée pendant plus de 2 secondes pour redémarrer la console et remettre toutes les valeurs accumulées à « 0 ».

En mode programmation :

- Effacez et réinitialisez la valeur du paramètre.

## Fonctionnement

### Marche

- Appuyer sur une touche pour mettre en marche la console en mode veille.
- Commencer à pédaler pour mettre en marche la console en mode veille.

### Mettre hors tension

Le moniteur passe automatiquement en mode SLEEP (veille) si aucun signal n'est transmis au moniteur pendant 4 minutes.

## Programmes

### Réglage de l'objectif de l'exercice

- Appuyez sur la touche MODE pour passer d'une fonction à l'autre entre : TEMPS, DISTANCE, KCAL ET POULS.
- Utilisez la touche SET pour définir l'objectif de votre séance d'entraînement planifiée.  
Appuyez brièvement 1 fois pour augmenter la valeur d'une unité à la fois.  
Maintenez la touche enfoncée pour augmenter rapidement la valeur.
- La touche RESET permet d'effacer le mode cible affiché.

MODE D'OBJECTIF DE TEMPS :

- Plage de réglage: 1:00 ~ 99:00
- Unités de réglage : 1:00 Minute

MODE OBJECTIF DE DIST :

- Plage de réglage: 0.0 ~ 99:5
- Unités de réglage : 0.5 KM

KCAL MODE CIBLE :

- Plage de réglage: 10 ~ 9990 +10
- Unités de réglage : 10 Kcal.

MODE OBJECTIF DE POULS :

- Plage de réglage: 0 -3 0 ~ 230
- Unités de réglage : 1 Bpm

### REMARQUE

- Si vous laissez un réglage d'objectif sur 0, il ne sera pas considéré comme un objectif.

### Fonction de la console en mode cible

- Commencez à pédaler pour débiter l'exercice à n'importe quel moment, et les valeurs vont commencer à augmenter si aucun objectif n'a été défini.
- Si un objectif a été défini, la valeur va être décomptée jusqu'à ce que l'objectif soit atteint.
- Lorsque l'objectif est atteint, une alarme sonore retentit brièvement pour vous avertir que vous avez atteint votre objectif, et la valeur de ce paramètre spécifique continue à augmenter lorsque vous continuez à vous entraîner.
- Lorsqu'une limite de pouls est définie, une alarme sonore retentit lorsque le pouls mesuré dépasse la limite de pouls définie, afin d'avertir que la fréquence cardiaque mesurée est supérieure à l'objectif fixé.

## Bluetooth & APP

- Cette console peut être connectée à l'APP sur l'appareil intelligent via Bluetooth.  
(iOS & Android)
- Établissez la connexion Bluetooth uniquement via le mode de connexion sur l'application installée sur votre périphérique intelligent.
- Une fois la console connectée à l'appareil intelligent via Bluetooth elle s'éteindra.

### NOTE

- Tunturi vous fournit seulement la possibilité de raccorder votre console de fitness via une connexion Bluetooth. Par conséquent, Tunturi ne peut être tenu responsable des dommages ou du mauvais fonctionnement des produits autres que ceux de Tunturi.
- Consultez le site Web pour plus d'informations.

Cette console peut recevoir un émetteur de fréquence cardiaque Bluetooth. Il n'est pas nécessaire d'apparier l'appareil, car la console détectera automatiquement l'émetteur de fréquence cardiaque lorsque celui-ci est à portée.

## Nettoyage et entretien

L'équipement nécessite très peu d'entretien, veuillez suivre les instructions ci-dessous. L'équipement ne nécessite pas de recalibrage lorsqu'il est assemblé, utilisé et entretenu conformément aux instructions.

### AVERTISSEMENT

- N'utilisez pas de solvants pour nettoyer l'équipement.
- Nettoyez l'équipement à l'aide d'un chiffon doux et absorbant après chaque utilisation.
- Vérifiez régulièrement que toutes les vis et écrous sont bien serrés.

## Défauts et dysfonctionnements

Malgré un contrôle continu de la qualité, des défauts ou des dysfonctionnements peuvent être occasionnés par des composants individuels. La plupart du temps, il vous suffit de remplacer la pièce défectueuse.

- Si l'équipement ne fonctionne pas correctement, contactez immédiatement le revendeur.
- Fournissez le numéro de modèle et le numéro de série de l'équipement au revendeur. Mentionnez la nature du problème, les conditions d'usage et la date d'achat.

### Résolution des pannes :

- Les piles doivent être changées lorsque l'affichage LCD devient sombre.
- Vérifier que le câble est bien branché s'il n'y a aucun signal lorsque vous pédalez.

### REMARQUE

- L'écran principal s'éteindra si l'entraînement est à l'arrêt pendant 4 minutes.
- Si l'affichage de l'ordinateur n'est pas normal, veuillez réinstaller les piles et réessayer.

### Sensation fragile ou instable pendant l'utilisation.

Si la machine semble instable ou instable pendant le fonctionnement, il est conseillé de régler les pieds de support pour amener le cadre à la bonne hauteur. Lisez les instructions de ce manuel dans la section: "Usage"

## Transport et rangement

### AVERTISSEMENT

- Deux personnes au moins sont nécessaires pour transporter et déplacer l'équipement.
- En vous tenant devant l'équipement de chaque côté, saisissez fermement ses guidons. Levez l'avant de l'équipement pour que l'arrière repose sur les roues. Déplacez l'équipement et reposez-le prudemment. Placez l'équipement sur une base protectrice pour éviter d'endommager la surface du sol.
- Déplacez prudemment l'équipement sur les surfaces irrégulières. Ne déplacez pas l'équipement sur ses roues pour monter des escaliers mais transportez-le par les guidons.
- Rangez l'équipement dans un endroit sec exposé à des variations de température minimales.

## Garantie

### Garantie du propriétaire d'un équipement de Tunturi

#### Conditions de garantie

Le consommateur est protégé par la législation en vigueur concernant le commerce des biens de consommation. Cette garantie ne limite pas ces droits. La Garantie de l'acheteur n'est valide que si le produit est utilisé dans l'environnement préconisé par la société Tunturi New Fitness BV, et est conservé tel que cela est indiqué pour cet équipement donné. L'environnement approuvé spécifique au produit et les instructions d'entretien sont indiqués dans le « manuel d'utilisation » du produit. Le « manuel d'utilisation » peut être téléchargé sur notre site Web. <http://manuals.tunturi.com>

#### Conditions de garantie

Les conditions de garantie sont applicables à compter de la date d'achat et peuvent varier selon les pays. Demandez conseil à votre revendeur.

#### Étendue de la garantie

En aucun cas Tunturi New Fitness BV, le revendeur ou le distributeur Tunturi ne répondra des éventuels dommages spéciaux, indirects, secondaires ou consécutifs, de quelque nature que ce soit, liés à l'utilisation de ou à l'inaptitude à utiliser cet équipement.

#### Restrictions de garantie

La garantie couvre les défauts de fabrication et de matériaux dans un équipement d'origine, sorti d'usine et conditionné par Tunturi New Fitness BV. La garantie couvre uniquement les défauts apparaissant lors d'une utilisation normale et conforme aux instructions du manuel du propriétaire, à condition que les instructions de montage, de maintenance et d'utilisation établies par Tunturi New Fitness BV aient été respectées. Tunturi New Fitness BV et les revendeurs Tunturi ne répondent pas des défauts occasionnés par des conditions indépendantes de leur volonté. La garantie est applicable uniquement au premier acheteur et est valable uniquement dans les pays où Tunturi New Fitness BV dispose d'un distributeur agréé. La garantie ne s'étend pas aux équipements de fitness ou aux pièces qui ont été modifiées sans l'autorisation de Tunturi New Fitness BV. La garantie ne s'applique pas aux défauts provenant d'une usure normale, d'une utilisation inadaptée, d'une utilisation dans des conditions non prévues par le fabricant, de la corrosion ou d'un dommage intervenu lors du chargement ou du transport.

La garantie ne couvre pas les sons ou les bruits émis par l'équipement s'ils ne gênent pas son utilisation et s'ils ne sont pas provoqués par un dysfonctionnement.

La garantie ne couvre pas non plus les mesures de maintenance, telles que le nettoyage, la lubrification ou la vérification normale des pièces, ni les actions que le client peut effectuer lui-même et qui n'exigent pas particulièrement de monter/ démonter l'équipement. Ces actions sont par exemple le changement des compteurs, des pédales ou autres pièces similaires faciles à changer. Seules les réparations sous garantie effectuées par un revendeur ou par le distributeur agréé Tunturi seront prises en charge. Le non-respect des instructions décrites dans le Manuel de l'Utilisateur entraînera l'annulation de la garantie.

## Données techniques

Paramètre	Unité de mesure	Valeur
Longueur	cm	156.0
	inch	61.4
Largeur	cm	59.0
	inch	23.2
Hauteur	cm	142.0
	inch	55.9
Poids	kg	53.2
	lbs	117.3
Poids maxi. utilisateur	kg	180
	lbs	397
Taille de pile	2x	AA
Mesure de la fréquence cardiaque disponible via:	Contact par prise en main	Non
	5.0 Khz	Non
	5,3 kHz.	Oui
	Bluetooth (BLE)	Non
	ANT+	Non

### NOTE IMPORTANTE :

La console est équipée d'un récepteur 5,3 Khz pour éviter les interférences avec le module BT intégré fonctionnant sur le signal de fréquence 5,0 Khz.

Par conséquent, nous ne pouvons pas garantir qu'une ceinture thoracique de 5,0 Khz puisse être reçue par votre console. D'après notre expérience, un émetteur de fréquence cardiaque de 5,0 Khz (ceinture thoracique) fonctionnera probablement sans problème, mais ne peut être garanti.

## Déclaration du fabricant

Tunturi Fitness BV déclare que le produit est conforme aux directives et normes suivantes : EN 957 (S Class), 2014/30/EU . Ce produit porte donc la marque CE.

11-2023

Tunturi New Fitness BV  
 Purmerweg 1  
 1311 XE Almere  
 Pays-Bas

## Limite de responsabilité

© 2023 Tunturi New Fitness BV

Tous les droits réservés.

- Le produit et le manuel sont sujets à modifications.
- Les spécifications peuvent changer sans préavis.
- Consultez notre site Web pour obtenir la dernière version du manuel d'utilisation.

## Nederlands

Deze Nederlandse handleiding is een vertaling van de Engelse tekst. Aan deze vertaling kunnen geen rechten ontleend worden. De originele Engelse tekst blijft leidend.

## Inhoud

<b>Welkom.....</b>	<b>36</b>
<b>Veiligheidswaarschuwingen.....</b>	<b>36</b>
<b>Montage instructies.....</b>	<b>37</b>
Beschrijving afbeelding A .....	37
Beschrijving afbeelding B.....	37
Beschrijving afbeelding C .....	37
Beschrijving afbeelding D .....	37
Aanvullende montage-informatie .....	37
Aanvullende milieu informatie .....	37
Vrije trainingsruimte (Fig. D-0) .....	37
<b>Trainingen .....</b>	<b>37</b>
Instructies .....	38
Hartslag.....	38
<b>Gebruik.....</b>	<b>39</b>
Afstellen van de steunvoeten.....	39
Het zadel horizontaal verstellen .....	39
Afstellen van de verticale zadelpositie.....	39
Het stuur horizontaal verstellen.....	39
Het stuur in hoogte verstellen.....	39
De weerstand aanpassen (Fig. G-1) .....	39
Noodstopknop (Afb. G-2) .....	39
Gebruik van de twee functies van de pedalen.....	39
Vervangen van de batterijen (fig E-1).....	40
<b>Console (fig F-2) .....</b>	<b>40</b>
Uitleg van de weergavefuncties .....	40
Uitleg van de toetsen .....	40
Bediening.....	41
Programma's.....	41
Bluetooth & APP .....	41
<b>Reiniging en onderhoud .....</b>	<b>41</b>
Defecten en storingen.....	41
<b>Transport en opslag.....</b>	<b>42</b>
<b>Garantie.....</b>	<b>42</b>
<b>Verklaring van de fabrikant .....</b>	<b>42</b>
<b>Disclaimer .....</b>	<b>43</b>

## Welkom

Welkom in de wereld van Tunturi Fitness!

Hartelijk dank voor uw aankoop van dit Tunturi-toestel. Tunturi biedt een grote verscheidenheid aan professionele toestellen zoals crosstrainers, loopbanden, fietstrainers, roeimachines, krachtbanken, multistations en accessoires. Het Tunturi-toestel is geschikt voor de hele familie, onafhankelijk van de conditie. Meer informatie vindt u op de website [www.tunturi.com](http://www.tunturi.com)

## Belangrijke Informatie

Deze gids is een essentieel onderdeel van uw Tunturi looptrainer. Lees deze gids zorgvuldig door vóórdat u begint met monteren, gebruiken of onderhouden van uw looptrainer. Bewaar de gids op een handige plaats. U kunt er, nu en in de toekomst, nuttige informatie uithalen die u nodig heeft voor het gebruik en het onderhoud van de apparatuur. Volg de instructies altijd met zorg op.

## Veiligheidswaarschuwingen

### ⚠ WAARSCHUWING

- Lees de veiligheid-waarschuwingen en de instructies. Het niet opvolgen van de veiligheid-waarschuwingen en de instructies kan persoonlijk letsel of beschadiging van het toestel veroorzaken. Bewaar de veiligheid-waarschuwingen en instructies voor toekomstig gebruik.

### ⚠ WAARSCHUWING

- Hartslag-bewakingssystemen kunnen onnauwkeurig zijn. Overmatig trainen kan leiden tot ernstig letsel of de dood. Als u zich duizelig voelt, stop dan onmiddellijk met trainen.

- Het toestel is uitsluitend geschikt voor huishoudelijk en professioneel gebruik (bijv. ziekenhuizen, brandweerkazernes, hotels, scholen, etc.).
- Het gebruik van dit toestel door kinderen of personen met fysieke, sensorische, geestelijke of motorische handicaps, of met gebrek aan ervaring en kennis kan gevaar veroorzaken. De personen die verantwoordelijk zijn voor hun veiligheid moeten uitdrukkelijke instructies geven of toezicht houden op het gebruik van het toestel.
- Als u misselijkheid, duizeligheid of andere abnormale symptomen ervaart, stop dan onmiddellijk met uw training en raadpleeg een arts.
- Om spierpijn en te zware belasting te voorkomen, moet u elke training beginnen met een warming-up en eindigen met een cooling-down. Vergeet niet om uw spieren te strekken aan het einde van de training.
- Het toestel is uitsluitend geschikt voor gebruik binnenshuis. Het toestel is niet geschikt voor gebruik buitenshuis.
- Gebruik het toestel alleen in een omgeving met voldoende ventilatie. Gebruik het toestel niet in een tochtige omgeving om geen kou te vatten.
- Gebruik het toestel alleen in een omgeving met een omgevingstemperatuur tussen 10 °C en 35 °C. Berg het toestel alleen op bij een omgevingstemperatuur tussen 5 °C en 45 °C.
- Gebruik het toestel niet in een vochtige omgeving. Berg het toestel niet op in een vochtige omgeving. De luchtvochtigheid mag nooit meer zijn dan 80%.
- Gebruik het toestel alleen voor het doel waarvoor het gemaakt is. Gebruik het toestel niet voor andere doelstellingen dan beschreven in de handleiding.
- Gebruik het toestel niet als een onderdeel is beschadigd of niet goed werkt. Raadpleeg uw dealer als een onderdeel is beschadigd of niet goed werkt.

- Houd uw handen, voeten en andere lichaamsdelen uit de buurt van de bewegende delen.
- Houd uw haar uit de buurt van de bewegende delen.
- Draag geschikte kleding en schoenen.
- Houd kleding, sieraden en andere voorwerpen uit de buurt van de bewegende delen.
- Zorg ervoor dat het toestel slechts door één persoon tegelijk wordt gebruikt. Het toestel mag niet worden gebruikt door personen die meer dan 180kg (397 lbs) wegen.
- Maak het toestel niet open zonder eerst uw dealer te raadplegen.

## Montage instructies

### Beschrijving afbeelding A

De illustratie laat zien hoe de trainer er na de montage uitziet. U kunt dit als referentie gebruiken tijdens de montage, maar volg de montageschappen altijd in de juiste volgorde, zoals aangegeven op de afbeeldingen.

### Beschrijving afbeelding B

De illustratie laat zien welke componenten en onderdelen er in uw pakket moeten zitten.

#### OPMERKING

- Kleine onderdelen kunnen soms enigszins verborgen verpakt zitten in holle ruimtes in het beschermende piepschuimmateriaal om het product.
- Raadpleeg uw dealer als een onderdeel ontbreekt.

### Beschrijving afbeelding C

De afbeelding toont de hardwarekit die bij uw product wordt geleverd.

De hardwarekit bevat bouten, ringen, schroeven, moeren etc. en het benodigde gereedschap om uw trainer op de juiste manier te monteren.

### Beschrijving afbeelding D

Op de afbeeldingen staat aangegeven in welke volgorde de trainer moet worden gemonteerd.

#### WAARSCHUWING

- Monteer het apparaat in de aangegeven volgorde.
- Draag en verplaats het toestel met minstens twee personen.

#### VOORZICHTIG

- Zet het toestel op een stevige, vlakke ondergrond.
- Zorg voor een beschermende laag onder het toestel om schade aan het vloeroppervlak te voorkomen.
- Raadpleeg de illustraties voor de juiste assemblage van het toestel.

### Aanvullende montage-informatie

#### D5 Correcte montage van de pedalen

#### OPMERKING

- Wat links en rechts is, wordt bepaald vanuit de positie op de fiets.

### Rechter pedaal

Kijk of er een "R"- of "L"-markering op de pedaalas staat

- Monteer het rechterpedaal "R" in de rechtercrank.
- Draai eerst de pedaalas met de hand met de klok mee.
- Gebruik de steeksleutel om het pedaal goed vast te draaien.

### Linker pedaal

- Monteer het linkerpedaal "L" in de linkercrank.
- Draai eerst de pedaalas met de hand tegen de klok in.
- Gebruik de steeksleutel om het pedaal goed vast te draaien.



Klik om onze ondersteunende YouTube-video te bekijken  
<https://youtu.be/3BiN9mc5Tmw?t=101>

#### LET OP

- Bewaar, nadat u het apparaat in elkaar hebt gezet, het gereedschap dat bij dit product is geleverd. Dit met het oog op service op een later tijdstip.

### Aanvullende milieu informatie

#### Afvoeren van verpakkingsmateriaal

Overheids-richtlijnen geven aan dat de hoeveelheid afvalmateriaal afgevoerd naar stortplaatsen moeten verminderen. Daarom vragen we u al het afvalmateriaal op verantwoordelijke wijze af te voeren naar openbare recycling-centra.

#### Verwijdering aan het eind van de levensduur.

We hopen dat u jarenlang plezier hebt van uw fitnessapparaat. Er komt echter een moment waarop het fitnessapparaat het eind van de bruikbare levensduur heeft bereikt. Onder de Europese AEEA-wetgeving bent u verantwoordelijk voor het op de juiste wijze afvoeren van uw fitnessapparaat naar een erkend openbaar inzamelpunt.

### Vrije trainingsruimte (Fig. D-0)

#### Vorkant van het apparaat

Zorg voor minstens 30 cm vrije ruimte vóór het apparaat.

- Deze vrije trainingsruimte kan worden gedeeld met andere, soortgelijke apparaten wanneer beide tegenover elkaar staan.

#### Zijkant van het apparaat

Zorg voor minstens 60 cm vrije ruimte aan elke zijkant van het apparaat

- Deze vrije trainingsruimte kan worden gedeeld met andere, soortgelijke apparaten wanneer beide tegenover elkaar staan.

#### Achterkant van het apparaat

Zorg voor minstens 200 cm vrije ruimte achter het apparaat

- Deze vrije trainingsruimte kan niet worden gedeeld met andere, soortgelijke apparaten; de extra vrije ruimte die nodig is hangt af van de oriëntatie van beide apparaten en moet de som van beide waarden zijn.

## Trainingen

De training moet licht genoeg zijn, maar wel langdurig.

Aerobische training is gebaseerd op verbetering van de maximale zuurstofopname van het lichaam, die dan het uithoudingsvermogen en de conditie weer verbetert. U moet tijdens de training wel transpireren, maar u mag niet buiten adem raken.

Voor het bereiken en in stand houden van een basisconditie moet u minstens drie keer per week steeds 30 minuten trainen. Verhoog het aantal trainingssessies ter verbetering van uw conditie. Het is de moeite waard om regelmatige lichaamsbeweging met gezonde voeding te combineren. Iemand die zich goed aan een dieet houdt,

zou elke dag moeten trainen te beginnen met 30 minuten of korter, en de dagelijkse trainingsduur geleidelijk opvoeren tot één uur. Begin uw training bij een lage snelheid en een lage weerstand om te voorkomen dat uw hart en bloedvaten te sterk belast worden. Naarmate uw conditie verbetert, kunnen snelheid en weerstand geleidelijk worden verhoogd. De doelmatigheid van uw training kan worden gemeten door uw hartslag.

### Instructies

Het gebruik van dit fitness apparaat biedt meerdere voordelen: u verbetert uw fysieke conditie, u versterkt uw spieren en u valt in combinatie met een caloriearm dieet af.

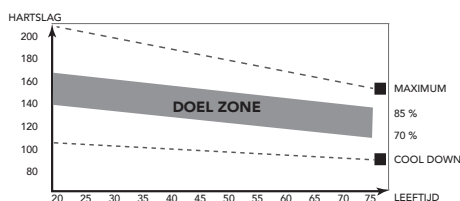
### De warming-up

In deze fase wordt uw bloedsomloop gestimuleerd voor een juiste werking van de spieren. Tevens wordt het risico op kramp en spierletsel verminderd. Wij raden u aan enkele stretch oefeningen te doen, zoals hieronder beschreven. Houd elke stretch oefening ongeveer 30 seconden vol. Forceer uw spieren niet bij het stretchen. STOP als het pijn doet

### De training fase

Dit is de fase waarin u de meeste inspanning levert. Na regelmatig gebruik worden de spieren in uw benen flexibeler. Het is in deze fase zeer belangrijk dat u een gelijkmatig tempo aanhoudt.

De snelheid moet voldoende zijn om uw hartslag te laten stijgen naar de doel zone die in de onderstaande grafiek te zien is.



Deze fase moet minimaal 12 minuten duren, maar de meeste mensen beginnen met ongeveer 15-20 minuten.

### De cooling down

In deze fase ontspant u uw cardiovasculaire systeem en spieren. Dit is een herhaling van de warming-uptraining. Verlaag dus uw tempo en ga ongeveer 5 minuten door. Herhaal nu de stretch-oefeningen. Forceer uw spieren niet tijdens het stretchen.

Naarmate u fitter wordt, moet u langer en harder trainen. Het is raadzaam minstens drie keer per week te trainen en zo nodig uw oefeningen gelijkmatig over de week te verspreiden.

### Spierversteviging

Als u uw spieren wilt verstevigen met behulp van dit fitnessapparaat, stelt u de weerstand in op hoog. Zo komt er meer spanning op uw beenspieren. Mogelijk kunt u niet zo lang trainen als u zou willen. Als u ook uw conditie wilt verbeteren, moet u het trainingsprogramma aanpassen. Tijdens de warming-up en cooling-down traint u zoals normaal, maar tegen het eind van de trainingsfase verhoogt u de weerstand zodat uw benen harder moeten werken. Verlaag hierbij de snelheid zodat uw hartslag in de doelzone blijft.

### Gewichtverlies

Hierbij is het van belang hoeveel inspanning u levert. Hoe harder en langer u werkt, hoe meer calorieën u verbrandt. In feite is dit hetzelfde als wanneer u zou trainen om uw conditie te verbeteren. Het doel is alleen anders.

## Hartslag

### Hartslagmeting (hartslag-borstband)

#### !! LET OP

- Een hartslag-borstband is niet standaard bij deze trainer mee geleverd. Als u een hartslag-borstband wilt gebruiken, zult u deze als accessoire moeten aanschaffen.

De meest nauwkeurige hartslagmeting wordt bereikt met een hartslag-borstband. De artslag wordt gemeten met een hartslagontvanger in combinatie met een band die de hartslag verzendt. Voor een nauwkeurige hartslagmeting moeten de elektroden op de borstband enigszins vochtig zijn en de huid constant aanraken. Bij te droge of te natte elektroden kan de hartslagmeting minder nauwkeurig worden.

#### ⚠ WAARSCHUWING

- Als u een pacemaker hebt, moet u het eerst met uw dokter bespreken voordat u een hartslag-borstband gebruikt.

#### ⚠ VOORZICHTIG

- Als er verscheidene hartslagmeetapparaten naast elkaar staan, zorg er dan voor dat de tussenafstand minstens 2 meter is.
- Als er slechts één hartslagontvanger en verscheidene hartslagzenders zijn, zorg dan dat er slechts één persoon met een zender in het zendbereik is.

#### !! LET OP

- Draag de hartslag-borstband altijd onder uw kleding, direct op uw huid. Draag de hartslag-borstband niet boven uw kleding. Als u de hartslag-borstband boven uw kleding draagt, zal er geen signaal komen.
- Als u een hartslaglimiet hebt ingesteld voor uw training, klinkt er een alarm wanneer deze wordt overschreden.
- De zender verzendt de hartslag naar de console tot over een afstand van 1,5 meter. Als de elektroden niet vochtig zijn, verschijnt de hartslag niet op de display.
- Sommige vezels in kleding (bijv. polyester, polyamide) produceren statische elektriciteit die een nauwkeurige hartslagmeting kan hinderen.
- Mobiele telefoons, televisies en andere elektrische apparaten creëren een elektromagnetisch veld dat een nauwkeurige hartslagmeting kan hinderen.

### Maximale hartslag (tijdens de training)

De maximale hartslag is de hoogste hartslag die iemand veilig kan bereiken door de belasting van de training. De volgende formule wordt gebruikt voor het berekenen van de gemiddelde maximale hartslag:  $220 - \text{LEEFTIJD}$ . De maximale hartslag varieert van persoon tot persoon.

#### ⚠ WAARSCHUWING

- Zorg ervoor dat u tijdens uw training niet boven uw maximale hartslag komt. Als u bij een risicogroep hoort, moet u een arts raadplegen.

### Beginner

#### 50-60% van de maximale hartslag

Geschikt voor beginners, mensen die willen afvallen, herstellende patiënten en personen die lange tijd niet getraind hebben. Train minstens drie keer per week, 30 minuten per keer.

### Gevorderd

#### 60-70% van de maximale hartslag

Geschikt voor personen die hun conditie willen verbeteren en in stand houden. Train minstens drie keer per week, 30 minuten per keer.

**Expert****70-80% van de maximale hartslag**

Geschikt voor de fitste personen die gewend zijn aan langdurige duurtraining.

**Gebruik****Afstellen van de steunvoeten**

De apparatuur is uitgerust met verstelbare steunvoeten.

Als de apparatuur onstabiel aanvoelt, wiebelt, of niet goed waterpas staat, kan dit worden gecorrigeerd door de steunvoeten af te stellen.

- Draai de steunvoeten naar wens naar binnen of naar buiten om de apparatuur in een stabiele en zo vlak mogelijke stand te zetten.
- Draai de borgmoeren\* vast om de steunvoeten te vergrendelen.

**OPMERKING**

- De apparatuur is het meest stabiel wanneer deze zo laag mogelijk bij de grond staat. Begin daarom met het waterpas zetten van de uitrusting door alle steunvoeten volledig naar binnen te draaien, alvorens de vereiste steunvoeten naar buiten te draaien om de uitrusting te stabiliseren en waterpas te zetten.



Klik om onze ondersteunende YouTube-video te bekijken  
<https://youtu.be/3BiN9mc5Tmw?t=535>

**Het zadel horizontaal verstellen**

U kunt de horizontale zitpositie aanpassen door het zadel op de juiste hoogte te stellen. (Afb. E-2)

- Maak de zadelrail los door de snelspanhendel rechtsom te draaien.
- Zet het zadel in de gewenste positie.
- Zet de zadelrail vast door de snelspanhendel rechtsom te draaien.

**OPMERKING**

- De snelspanhendel werkt met een veer. Om de hendelpositie opnieuw in te stellen kunt u de hendel naar beneden trekken, opnieuw positioneren en weer loslaten.

**Afstellen van de verticale zadelpositie**

De verticale zadelpositie kan worden afgesteld door de zadelpen in de gewenste positie te zetten. (Fig. E-2)

Met een bijna gestrekt been moet de boog van de voet het pedaal op zijn laagste punt raken.

- Draai de stelknop voor de zadelpen los.
- Zet de zadelpen in de gewenste positie.
- Draai de stelknop voor de zadelpen vast.

**Het stuur horizontaal verstellen**

De horizontale positie van het stuur kan worden aangepast door het in de gewenste positie – verder van de gebruiker af of juist dichterbij – te stellen. (Afb. E-2)

- Maak het stuurbevestigingsframe los door de snelspanhendel rechtsom te draaien.
- Stel het stuurbevestigingsframe op de gewenste positie.
- Zet het stuurbevestigingsframe vast door de snelspanhendel in rechtssom te draaien.

**OPMERKING**

- De snelspanhendel werkt met een veer. Om de hendelpositie opnieuw in te stellen kunt u de hendel naar beneden trekken, opnieuw positioneren en weer loslaten.

**Het stuur in hoogte verstellen**

De hoogte van het stuur kan worden aangepast aan de lichaamslengte van de gebruiker voor de optimale hoogte en trainingshouding. (Fig. E-2)

- Houd het stuur vast terwijl u de stuurstelknop losdraait, draai de knop los door deze tweemaal linksom helemaal rond te draaien en trek de geveerde knop naar buiten.
- Houd de geveerde knop uitgetrokken en zet het stuur in de gewenste stand.
- Hebt u de gewenste hoogte gevonden, laat dan de geveerde knop weer los en beweeg de stuurstang iets omhoog/omlaag om ervoor te zorgen dat de geveerde knop goed vast komt te zitten.
- Draai de stuurstelknop stevig vast door hem rechtssom te draaien.

**De weerstand aanpassen (Fig. G-1)**

De weerstand kan worden aangepast om de training te intensiveren of te verlichten.

- Trek de weerstandshendel omhoog om het spanningsniveau te verlagen.  
Het spanningsniveau wordt weergegeven op de console.
- Duw de weerstandshendel omlaag om het spanningsniveau te verhogen.  
Het spanningsniveau wordt weergegeven op de console.

**OPMERKING**

- De weerstandshendel wordt ook gebruikt als noodrem, dus als u de hendel voorbij het maximale spanningsniveau duwt, wordt het remblok van de noodrem geactiveerd.

**Noodstopknop (Afb. G-2)**

Om de noodrem te activeren, drukt u de remspanningshendel krachtig helemaal naar beneden.

**Gebruik van de twee functies van de pedalen**

Klampen aan uw schoenen bevestigen:

Als u vragen heeft, kunt u het beste een rijwielhandelaar om advies vragen of de instructies van de schoenenfabrikant raadplegen. Bij bevestiging van de klamp moet de laterale middenlijn zich onder het midden van de bal van de voet bevinden. Via de sleuven in de schoenzool kunt u de klamp verder naar voren of achteren schuiven. De aanpassing aan de zijkanten vindt plaats via de speling tussen de klampring en de klamp. Maak de klampen zeer stevig vast. De positie van de klampen kan nog verder worden verfijnd, op basis van uw persoonlijke voorkeur, na proefgebruik. Het kan enige tijd kosten voordat u de optimale positie van de klampen heeft gevonden.

**Toe-Clips:**

All standard toe clips can be attached to the pedals. Use fixing hardware and installation instructions supplied with toe clips and ensure the attachment screws are firmly tightened before use.

**Het gebruik van de pedalen:**

Zet de schoenen met klampen in de pedalen door de klampen tussen de bindingen te plaatsen en omlaag te drukken. Maak de schoenen los van de pedalen door de hiel buitenwaarts te draaien, van de fiets weg.

De spanning van de bindingen is instelbaar en moet zodanig worden ingesteld dat de klampen en de schoenen niet loskomen tijdens het trappen. Gebruik een inbussleutel om de spanning aan te passen: met de wijzers van de klok mee om de spanning van de binding te verhogen, tegen de wijzers van de klok in om de spanning van de binding te verlagen.

### **Vervangen van de batterijen (fig E-1)**

De console is uitgerust met 2x AA batterijen aan de achterkant van de console..

- Verwijder het deksel.
- Verwijder de oude batterijen.
- 3. Plaats de nieuwe batterijen. Zorg ervoor dat de (+) en (-) polariteitsmarkeringen van de batterijen op de goede plaats zitten.
- Monteer het deksel.

#### **⚠ OPMERKING**

- Om het milieu te sparen, moeten lege batterijen altijd worden gerecycled volgens de plaatselijke wettelijke voorschriften.

#### **⚠ WAARSCHUWING**

- Stel de batterijen niet bloot aan grote temperatuurschommelingen. Zo voorkomt u dat ze gaan lekken.
- Om te voorkomen dat de batterijen gaan lekken, moet u ze verwijderen als u van plan bent het toestel langere tijd niet te gebruiken.
- Wanneer u meerdere batterijen in een apparaat plaatst, moet u altijd batterijen van hetzelfde merk, hetzelfde type en hetzelfde energieniveau gebruiken.

### **Console (fig F-2)**

#### **⚠ VOORZICHTIG**

- Houd de console uit de buurt van direct zonlicht.
- Droog het oppervlak van de console wanneer het met zweetdruppels is bedekt.
- Leun niet op de console.
- Raak de display alleen met uw vingertop aan. Raak de display niet aan met uw nagels of een scherp voorwerp.

#### **⚠ LET OP**

- De console gaat naar standby wanneer het toestel gedurende 4 minuten niet wordt gebruikt.

### **Uitleg van de weergavefuncties**

#### **RPM**

- De rotaties per minuut weergeven.
- Bereik: 0 ~ 188 RPM.
- Wanneer de monitor tijdens de workout gedurende 4 seconden geen signaal ontvangt, geeft RPM "0" aan
- Wanneer de training wordt gestopt, scant het scherm tussen AVG en MAX:  
AVG: De gemiddelde "RPM" tijdens je laatste training.  
MAX: De maximum bereikte "RMP" tijdens je laatste training.

#### **TIME**

- Telt automatisch de trainingstijd op terwijl je traint.
- Wanneer je een doelwaarde instelt, telt de tijd terug van de doelwaarde naar 0, waarna een alarm klinkt.
- Weergavebereik: 00:00 ~ 99:59.

#### **SPEED**

- Geeft de huidige snelheid weer.
- Bereik 0,0 ~ 99,9 / Eenheden: KM/H.
- Wanneer de monitor tijdens de workout gedurende 4 seconden geen signaal ontvangt, geeft "Speed" (snelheid) "0" aan.
- Wanneer de training wordt gestopt, scant het scherm tussen AVG en MAX:  
AVG: De gemiddelde "Speed" tijdens je laatste training.  
MAX: De maximaal bereikte "Speed" tijdens je laatste training.

#### **DIST (afstand)**

- Wanneer je geen doelwaarde instelt, gaat de afstandswaarde omhoog.
- Wanneer je een doelwaarde instelt, telt de afstand terug vanaf de doelwaarde naar 0, waarna een alarm klinkt.
- Bereik 0,0 ~ 99,99 / Eenheden: KM.

#### **KCAL (calorieën)**

- Wanneer je geen doelwaarde instelt, gaat de waarde voor calorieën omhoog.
- Wanneer je een doelwaarde instelt, telt calorieën terug vanaf de doelwaarde naar 0, waarna een alarm klinkt.
- Bereik: 0 ~ 9999 / Eenheden: K.Cal.

#### **⚠ OPMERKING**

- Deze gegevens vormen een ruwe indicatie die kan worden gebruikt om verschillende workout-sessies met elkaar te vergelijken. Ze mogen niet voor medische doeleinden worden gebruikt.

#### **PULSE**

- Je ziet je huidige hartslag na 6 seconden, zodra de console jouw hartslag heeft gedetecteerd.
- Als er 6 seconden lang geen hartslagsignaal is, dan wordt op de console "P" weergegeven.
- Bereik: 0-30~ 230 BPM.
- Wanneer de training wordt gestopt, scant het scherm tussen AVG en MAX:  
AVG: De gemiddelde "Pulse" tijdens je laatste training.  
MAX: De maximaal bereikte "Pulse" tijdens je laatste training

#### **WATT**

- Weergave huidig training wattage.
- Bereik: 0 ~ 999

#### **LOAD**

- Toont de instelling van het spanningsniveau.
- Bereik: 1 ~ 32

### **Uitleg van de toetsen**

#### **MODE**

In workoutmodus:

- Druk kort in om de weergegeven parameter vast te zetten en op vaste weergavemodus te zetten.  
De naam van de weergegeven parameter knippert.
- Druk 1 keer kort op de naam om de vaste weergavemodus op te heffen en de scanmodus weer te activeren.  
De weergegeven parameter naam licht constant op
- Houd langer dan 2 seconden ingedrukt om de console opnieuw te starten en alle opgetelde waarden weer op "0" te zetten.

In de programmeringsmodus:

- Parameter wijzigen om doel in te stellen voor. .

#### **SET**

In workoutmodus:

Geen toegewezen functie in de trainingmodus. Als de knop wordt ingedrukt, licht de achtergrondverlichting op en klinkt er een dubbel geluidssignaal als teken dat de knop niet werkt.

In de programmeringsmodus:

- De doelwaarden bepalen.  
Druk 1 keer kort om de waarde met één eenheid tegelijk te verhogen.  
Ingedrukt houden om de waarde snel te verhogen.



## RESET

In workoutmodus:

- Houd langer dan 2 seconden ingedrukt om de console opnieuw te starten en alle opgetelde waarden weer op "0" te zetten.

In de programmeringsmodus:

- Parameterwaarde wissen en resetten.

## Bediening

### Inschakelen

- Wanneer het apparaat zich in de slaapmodus bevindt, drukt u op een willekeurige toets op de console om het apparaat in te schakelen.
- U kunt ook gaan fietsen om het apparaat te activeren.

### Uitschakelen

Wanneer gedurende 4 minuten geen signaal naar de monitor wordt verzonden, schakelt het apparaat automatisch naar de slaapmodus.

## Programma's

### Instellen van de trainingsdoelen

- Druk op de toets MODE om tussen de volgende functies te schakelen: TIME, DISTANCE, KCAL & PULSE.
- Gebruik de SET-toets om het doel voor de geplande training in te stellen.  
Druk 1 keer kort om de waarde met één eenheid tegelijk te verhogen.  
Ingedrukt houden om de waarde snel te verhogen.
- Gebruik de RESET toets om de weergegeven doelmodus te wissen.

TIME TARGET MODE:

- Instelbereik: 1:00 ~ 99:00
- Eenheden instellen: 1:00 Minuut

DIST TARGET MODE:

- Instelbereik: 0.0 ~ 99.5
- Eenheden instellen: 0,5 KM

KCAL TARGET MODE:

- Instelbereik: 10 ~ 9990 +10
- Eenheden instellen: 10 Kcal.

PULSE TARGET MODE:

- Instelbereik: 0 -3 0 ~ 230
- Eenheden instellen: 1 Bpm

### !! OPMERKING

- Als je een doel ingesteld laat op 0, wordt dit niet als een doel beschouwd.

### Consolefunctie in doelmodus

- Begin met trappen om de training te starten. Waarden van niet-ingestelde doelen worden opgeteld.
- Als er een specifieke waarde is ingesteld voor een doel, wordt deze waarde afgeteld tot het doel is bereikt.
- Als het doel is bereikt, klinkt er kort een pieptoon om aan te geven dat je je doel hebt bereikt en die specifieke parameterwaarde blijft tellen als je blijft trainen.
- Wanneer er een hartslaglimiet is ingesteld, klinkt er een pieptoon wanneer de gemeten hartslag de ingestelde hartslaglimiet overschrijdt om aan te geven dat je gemeten hartslag boven het ingestelde doel ligt.

## Bluetooth & APP

- U kunt deze console via Bluetooth verbinden met een App op uw smart-apparaat. (iOS & Android)
- Breng de Bluetooth-verbinding alleen tot stand via de verbindingmodus op de geïnstalleerde APP op uw smart-apparaat.
- Wanneer de Bluetooth-verbinding tussen APP en console tot stand is gebracht, wordt het display van de console grijs weergegeven alsof deze zich in de standby-modus bevindt.

### !! LET OP

- Tunturi biedt uitsluitend de mogelijkheid om uw fitnessconsole via een bluetooth-verbinding aan een smart-apparaat te koppelen. Tunturi kan daarom niet aansprakelijk worden gesteld voor schade of gebreken aan producten die niet door Tunturi worden geproduceerd.
- Raadpleeg de website voor extra informatie.

Deze console kan een Bluetooth-hartslagzender ontvangen. Het is niet nodig om het apparaat te koppelen, omdat de console de hartslagzender automatisch detecteert wanneer deze binnen bereik is.

## Reiniging en onderhoud

De apparatuur vergt zeer weinig onderhoud, volg a.u.b. de onderstaande instructies op. De apparatuur hoeft niet opnieuw te worden gekalibreerd wanneer deze volgens de instructies wordt gemonteerd, gebruikt en onderhouden.

### ⚠ WAARSCHUWING

- Gebruik geen oplosmiddelen om de apparatuur te reinigen.
- Reinig de apparatuur na elk gebruik met een zachte, absorberende doek.
- Controleer regelmatig of alle schroeven en moeren goed vastzitten.

## Defecten en storingen

Ondanks voortdurende kwaliteitscontrole kan het gebeuren dat het toestel door individuele onderdelen defect is of niet goed werkt. In de meeste gevallen zal het voldoende zijn om het defecte onderdeel te vervangen.

- Als het toestel niet goed werkt, neem dan onmiddellijk contact op met de dealer.
- Geef het modelnummer en serienummer van het toestel op aan de dealer. Vertel wat de aard van het probleem is, hoe het toestel wordt gebruikt en wanneer u het toestel heeft gekocht.

## Problemen oplossen

- Wanneer het LCD-display wordt gedimd, moeten de batterijen worden vervangen.
- Als er geen signaal is wanneer u fietst, controleer dan of de kabel goed is aangesloten.

### !! LET OP

- Wanneer u gedurende 4 minuten stopt met de training, wordt het hoofdscherm uitgeschakeld.
- Wanneer de computerweergave niet normaal is, installeert u de batterijen opnieuw en probeert u het nogmaals.

## Wankel of onstabiel gevoel tijdens gebruik

Als de machine tijdens bedrijf onstabiel of onstabiel aanvoelt, is het raadzaam om de steunvoeten aan te passen om het frame op de juiste hoogte te brengen. Lees de instructies in deze handleiding in sectie: "Gebruik"

## Transport en opslag

### ⚠ WAARSCHUWING

- Draag en verplaats het toestel met minstens twee personen.
- Blijf aan weerskanten aan de voorkant van het toestel staan en pak de handgrepen stevig vast. Til de voorkant van het toestel op zodat de achterkant van het toestel op de wielen komt te rusten. Verplaats het toestel en zet het voorzichtig neer. Zorg voor een beschermende laag onder het toestel om schade aan het vloeroppervlak te voorkomen.
- Verplaats het toestel voorzichtig over een ongelijke ondergrond. Breng het toestel niet met behulp van de wielen naar boven, maar draag het toestel bij de handgrepen.
- Berg het toestel op een droge plaats op met zo weinig mogelijk temperatuurwisselingen.

## Garantie

### Garantie voor eigenaars van Tunturi trainingsapparatuur

#### Garantievoorwaarden

De consument heeft recht op de geldende wettelijke rechten met betrekking tot de handel in consumptiegoederen die worden vermeld in de nationale wet- en regelgeving. Deze garantie zal deze rechten niet beperken. De garantie voor de eigenaar geldt alleen wanneer het apparaat wordt gebruikt in een door Tunturi New Fitness BV voor dat specifieke apparaat toegestane omgeving en wordt onderhouden volgens de aanwijzingen. De goedgekeurde omgeving en onderhoudsinstructies voor het product staan vermeld in de "gebruikershandleiding" van het product. De "gebruikershandleiding" kan worden gedownload van onze website. <http://manuals.tunturi.com>

#### Garantievoorwaarden

De garantievoorwaarden gaan in vanaf de datum van aankoop. Deze kunnen per land verschillen. Vraag in de winkel bij u in de buurt naar de garantievoorwaarden.

#### Garantiedekking

In geen enkele omstandigheid zal Tunturi New Fitness BV of een wederverkoper van Tunturi aansprakelijk zijn voor eventuele indirecte schade geleden door de koper, zoals verlies van gebruiksnuut of inkomstenderving of andere indirecte economische gevolgen.

#### Garantiebeperkingen

De garantie dekt defecten van het toestel die het gevolg zijn van materiaalfouten of onjuist uitgevoerd werk, mits het toestel zijn originele samenstelling heeft. De garantie betreft alleen defecten die blijken tijdens normaal gebruik overeenkomstig de meegeleverde gebruiksaanwijzing, mits de montage-, onderhouds- en gebruiksaanwijzingen van Tunturi zijn opgevolgd. Tunturi New Fitness BV en zijn wederverkopers zijn niet aansprakelijk voor defecten tengevolge van factoren waarop zij geen invloed kunnen uitoefenen. De garantie betreft alleen de eerste eigenaar van het toestel en is alleen geldig in landen waar een geautoriseerde importeur van Tunturi New Fitness BV is gevestigd. De garantie betreft geen trainingstoestellen of onderdelen die zijn gewijzigd zonder toestemming van Tunturi New Fitness BV. De garantie dekt geen defecten tengevolge van normale slijtage, onjuist gebruik, gebruik in omstandigheden waarvoor het toestel niet is bedoeld, corrosie of schade ontstaan tijdens laden of transport.

De garantie geldt niet voor geluiden die ontstaan door het gebruik, als ze het gebruik van het apparaat niet wezenlijk belemmeren en niet veroorzaakt zijn door een defect aan het apparaat.

De garantie omvat ook geen onderhoudsmaatregelen, zoals reiniging, smering of normale inspectie van onderdelen, noch dergelijke montagewerkzaamheden die de klant zelf kan uitvoeren en die geen speciale demontage en montage van het toestel vereisen. Dit soort maatregelen zijn bijv. vervanging van monitoren, pedalen of andere vergelijkbare eenvoudige onderdelen. Garantieherstel dat is uitgevoerd door een ander dan de geautoriseerde Tunturi-vertegenwoordiger wordt niet vergoed. De garantie geldt alleen voor normaal, voorgeschreven gebruik van het product zoals beschreven in de handleiding.

#### Technische gegevens

Parameter	Meeteenheid	Waarde
Lengte	cm	156.0
	inch	61.4
Breedte	cm	59.0
	inch	23.2
Hoogte	cm	142.0
	inch	55.9
Gewicht	kg	53.2
	lbs	117.3
Max. gewicht gebruiker	kg	180
	lbs	397
Batterijen maat	2x	AA
Hartslagmeting beschikbaar via:	Handgreep contact	Nee
	5.0 Khz	Nee
	5.3 Khz.	Ja
	Bluetooth (BLE)	Nee
	ANT+	Nee

### BELANGRIJKE OPMERKING

De console is uitgerust met een 5,3 Khz-ontvanger om interferentie te voorkomen met de ingebouwde BT-module die werkt op een 5,0 Khz-frequentiesignaal.

We kunnen daarom niet garanderen dat een borstband van 5,0 Khz door je console kan worden ontvangen. Onze ervaring is dat een 5.0 Khz hartslagzender (borstband) waarschijnlijk zonder problemen werkt, maar dat kan niet worden gegarandeerd.

## Verklaring van de fabrikant

Tunturi New Fitness BV verklaart dat het product voldoet aan de volgende normen en richtlijnen: EN 957 (S Class), 2014/30/EU. Het product is derhalve voorzien van het CE-label.

11-2023

Tunturi New Fitness BV  
Purmerweg 1  
1311 XE Almere  
The Netherlands

## Disclaimer

---

© 2023 Tunturi New Fitness BV  
Alle rechten voorbehouden.

- Het product en de handleiding zijn aan veranderingen onderhevig.
- Specificaties kunnen zonder verdere kennisgeving worden veranderd.
- Raadpleeg onze website voor de meest recente versie van de gebruikershandleiding.

## Italiano

Questo manuale in lingua italiana è una traduzione dalla versione originale del manuale in lingua inglese.

Non si possono trarre diritti di traduzione dalla presente traduzione.

## Indice

<b>Benvenuti .....</b>	<b>44</b>
<b>Precauzioni di sicurezza.....</b>	<b>44</b>
<b>Istruzioni di montaggio.....</b>	<b>45</b>
Illustrazione di descrizione A.....	45
Illustrazione di descrizione B.....	45
Illustrazione di descrizione C.....	45
Illustrazione di descrizione D.....	45
Informazioni aggiuntive sull'assemblaggio .....	45
Informazioni ambientale aggiuntive.....	45
Zona di allenamento libera (Fig. D-0).....	45
<b>Allenamenti.....</b>	<b>46</b>
Istruzioni per l'esercizio .....	46
Frequenza cardiaca .....	46
<b>Utilizzo.....</b>	<b>47</b>
Regolazione dei piedini di appoggio.....	47
Regolazione della posizione orizzontale del sedile.....	47
Regolazione della posizione verticale del sedile.....	47
Regolazione della posizione orizzontale del manubrio.....	47
Regolazione dell'altezza del manubrio .....	47
Regolazione della resistenza (Fig. G-1) .....	47
Manopola del freno di emergenza (Fig. G-2).....	47
Come usare il nostro pedale a doppia funzione .....	48
Sostituzione delle batterie (Fig E-1 ) .....	48
<b>Console (fig F-2) .....</b>	<b>48</b>
Spiegazione delle funzioni di visualizzazione .....	48
Spiegazione dei pulsanti .....	49
Utilizzo.....	49
Programmi.....	49
<b>Pulizia e manutenzione .....</b>	<b>50</b>
Difetti e malfunzionamenti .....	50
<b>Trasporto e stoccaggio .....</b>	<b>50</b>
<b>Garanzia.....</b>	<b>50</b>
<b>Dati tecnici.....</b>	<b>51</b>
<b>Dichiarazione del fabbricante .....</b>	<b>51</b>
<b>Clausola di esonero della responsabilità.....</b>	<b>51</b>

## Benvenuti

Benvenuti nel mondo di Tunturi Fitness!

Grazie per aver acquistato questo apparecchio Tunturi. Tunturi offre un'ampia gamma di apparecchi per fitness professionale, fra cui crosstrainer, tapis roulant, cyclette, vogatori, panche di forza e multi stazioni. Questo apparecchio Tunturi è adatto per tutta la famiglia, a prescindere dal livello di forma fisica. Per ulteriori informazioni, visitare il sito Web [www.tunturi.com](http://www.tunturi.com)

### Importanti istruzioni di sicurezza

Questo libretto di istruzioni è una parte essenziale della tua attrezzatura da ginnastica. Leggi con attenzione quanto scritto in questa guida, prima del montaggio dei pezzi e prima di fare uso dell'attrezzo o di effettuarne qualunque manutenzione. Ti raccomandiamo pure di conservare la presente guida in un luogo sicuro e a portata di mano; essa ti fornirà, adesso e nel futuro, tutte le istruzioni necessarie all'uso e alla manutenzione della tua attrezzatura da ginnastica. Tali istruzioni devi seguirle sempre con molta attenzione!

## Precauzioni di sicurezza

### ⚠ ATTENZIONE

- Leggere le precauzioni di sicurezza e le istruzioni. La mancata osservanza delle precauzioni di sicurezza e delle istruzioni può causare lesioni personali o danni all'apparecchio. Conservare gli avvisi di sicurezza e le istruzioni per future consultazioni.

### ⚠ ATTENZIONE

- Il sistema di monitoraggio della frequenza cardiaca può essere impreciso. L'eccessivo esercizio può causare serie lesioni o perfino il decesso. Se si avverte spossatezza, interrompere immediatamente l'allenamento.

- L'apparecchio è adatto esclusivamente per un uso domestico, non professionale.
- L'uso di questo apparecchio da parte di bambini o persone con handicap fisici, sensoriali, mentali o motori o privi di esperienza e di competenze può causare pericoli. Le persone responsabili per la loro sicurezza devono fornire esplicite istruzioni o supervisionare l'uso dell'apparecchio.
- Prima di iniziare l'allenamento, consultare un medico per verificare il proprio stato di salute.
- Se si avvertono nausea, vertigini o altri sintomi anomali, interrompere immediatamente l'allenamento. Per evitare dolori muscolari e sforzi, iniziare ogni allenamento con una fase di riscaldamento e terminare ogni allenamento con una fase di defaticamento. Ricordarsi di eseguire lo stretching al termine dell'allenamento.
- L'apparecchio è adatto esclusivamente per un uso in interni. L'apparecchio non è idoneo per un uso all'aperto.
- Utilizzare l'apparecchio in un ambiente con ventilazione adeguata. Non utilizzare in ambienti esposti alle correnti d'aria per non prendere un raffreddore.
- Utilizzare l'apparecchio esclusivamente in ambienti con temperature comprese fra 10 °C e 35 °C. Conservare l'apparecchio esclusivamente in ambienti con temperature comprese fra 5°C~45°C/ 41°F~113°F.
- Non utilizzare o riporre l'apparecchio in ambienti umidi. L'umidità dell'aria non deve mai superare l'80%.
- Utilizzare l'apparecchio solo per lo scopo previsto. Non utilizzare l'apparecchio per scopi diversi da quelli descritti nel manuale.
- Non usare l'apparecchio se presenta parti danneggiate o difettose. In caso di parti danneggiate o difettose contattare il rivenditore.

- Mantenere mani, piedi e le altre parti del corpo lontani dalle parti in movimento.
- Tenere i capelli lontani dalle parti in movimento.
- Indossare indumenti e scarpe adatti.
- Mantenere abiti, gioielli e altri oggetti lontani dalle parti in movimento.
- Controllare che l'apparecchio venga utilizzato da una sola persona alla volta. L'apparecchio non deve essere utilizzato da persone di peso superiore a 180kg (397 lbs).
- Non smontare l'apparecchio senza aver consultato il rivenditore..

## Istruzioni di montaggio

### Illustrazione di descrizione A

L'illustrazione mostra l'aspetto del trainer una volta completato l'assemblaggio.

È possibile utilizzarla come riferimento durante l'assemblaggio, ma è importante seguire sempre i passaggi di assemblaggio nella sequenza corretta come illustrato.

### Illustrazione di descrizione B

L'illustrazione mostra quali componenti e parti sono presenti al momento del disimballaggio del prodotto.

#### ⚠️ NOTA

- Le parti di piccole dimensioni potrebbero trovarsi nascoste o infilate in spazi ristretti nella protezione del prodotto in Styrofoam

### Illustrazione di descrizione C

L'illustrazione mostra il kit di attrezzatura fornito con il prodotto. Il kit di attrezzatura contiene bulloni, rondelle, viti, dadi ecc. e gli strumenti necessari per installare correttamente il trainer.

### Illustrazione di descrizione D

Le illustrazioni mostrano di seguito l'ordine corretto con cui assemblare il trainer nel modo migliore.

#### ⚠️ ATTENZIONE

- Assemblare l'apparecchio nell'ordine indicato.
- Per trasportare e spostare l'apparecchio sono necessarie almeno due persone.

#### ⚠️ AVVISO

- Collocare l'apparecchio su una superficie stabile e in piano.
- Collocare l'apparecchio su una base protettiva per evitare danni alla superficie del pavimento.
- Consultare le illustrazioni per il corretto assemblaggio dell'apparecchio.

## Informazioni aggiuntive sull'assemblaggio

### D5 Come installare i pedali correttamente.

#### ⚠️ NOTA

- I lati destro e sinistro vengono determinati dalla prospettiva delle posizioni di esercizio.

#### Pedale destro

Trovare la lettera "R" o "L" sull'asse del pedale

- Installare il pedale destro "R" nella pedivella destra.
- Per prima cosa, ruotare l'asse del pedale manualmente in direzione oraria.
- Utilizzare la chiave inglese per serrare completamente il pedale.

#### Pedale sinistro

- Installare il pedale sinistro "L" nella pedivella sinistra.
- Per prima cosa, ruotare l'asse del pedale manualmente in direzione antioraria.
- Utilizzare la chiave inglese per serrare completamente il pedale.



Cliccare per vedere il nostro video di supporto su YouTube  
<https://youtu.be/3BiN9mc5Tmw?t=101>

#### ⚠️ NOTA

- Conservare tutti gli utensili forniti con questo prodotto, dopo aver completato il montaggio del prodotto, per eventuali necessità di assistenza in futuro.

## Informazioni ambientale aggiuntive

### Smaltimento dell'imballo

Le linee guide governative chiedono di ridurre la quantità di rifiuti smaltiti nelle discariche. Per questo vi chiediamo di smaltire in modo responsabile tutti i rifiuti d'imballo presso dei centri di riciclaggio pubblici.

### Smaltimento a fine vita

Noi di Tunturi speriamo che possiate godervi molti anni di piacevole uso dal nostro fitness trainer. Tuttavia, arriverà il momento quando il vostro fitness trainer arriverà alla fine della sua vita utile. Secondo la Legislazione Europea WEEE voi siete responsabili per uno smaltimento appropriato del vostro fitness trainer presso una struttura di raccolta pubblica autorizzata.

### Zona di allenamento libera (Fig. D-0)

#### Parte anteriore dell'attrezzatura

Lasciare almeno 30 cm di spazio davanti all'apparecchiatura.

- La zona di allenamento libera per questa sezione può essere condivisa con altre attrezzature dello stesso tipo quando entrambe sono una di fronte all'altra.

#### Parte laterale dell'attrezzatura.

Lasciare uno spazio libero di almeno 60 cm su ciascun lato dell'apparecchiatura.

- La zona di allenamento libera per questa sezione può essere condivisa con altre attrezzature dello stesso tipo quando entrambe sono una di fronte all'altra.

#### Lato posteriore dell'attrezzatura

Lasciare uno spazio libero di almeno 200 cm dietro l'apparecchiatura.

- La zona di allenamento libera per questa sezione non può essere condivisa con altre attrezzature dello stesso tipo, lo spazio libero extra richiesto dipende dall'orientamento di entrambe le attrezzature e dovrebbe essere la somma di entrambi i valori.

## Allenamenti

L'allenamento deve essere adeguatamente leggero ma di lunga durata. L'esercizio aerobico si basa sul miglioramento del consumo massimo di ossigeno del corpo che a sua volta migliora resistenza e forma fisica. Durante l'allenamento è necessario sudare ma non arrivare all'affanno. Per raggiungere e mantenere una forma fisica di base, allenarsi almeno tre volte alla settimana, per 30 minuti alla volta. Aumentare il numero di sessioni di esercizio per migliorare il livello di forma fisica. È importante combinare l'esercizio regolare con una dieta salutare. Una persona impegnata a seguire una dieta dovrà allenarsi quotidianamente, iniziando con 30 minuti o meno e aumentando gradualmente l'allenamento giornaliero fino ad un'ora. Iniziare l'allenamento a bassa velocità e con scarsa resistenza per evitare di sottoporre a uno stress eccessivo il sistema cardiovascolare. Man mano che il livello di forma fisica aumenta, è possibile aumentare gradualmente anche velocità e resistenza. L'efficienza dell'allenamento può essere misurata monitorando la frequenza cardiaca e le pulsazioni.

### Istruzioni per l'esercizio

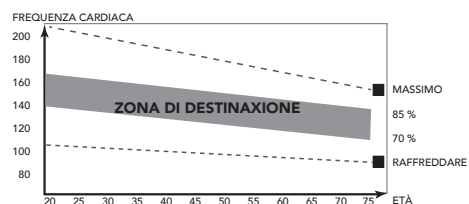
L'utilizzo del vostro fitness trainer vi darà diversi benefici, migliorerà la vostra forma fisica, tono muscolare e, insieme a una dieta con le calorie sotto controllo, vi aiuterà a perdere peso.

### La fase di riscaldamento

Questa fase aiuta a far scorrere il sangue nel corpo e a far funzionare correttamente i muscoli. Ridurrà anche il rischio di crampi e di lesioni muscolari. Si consiglia di fare qualche esercizio di stretching come mostrato qui di seguito. Ogni esercizio di stretching andrebbe mantenuto per circa 30 secondi, non forzare o strappare i muscoli durante l'esercizio, se si sente un dolore FERMARSI SUBITO

### La fase dell'esercizio

Questa è la fase dove fate il vostro sforzo. Dopo un uso regolare, i muscoli delle vostre gambe diventeranno più flessibili. Lavorare nell'ottica del vostro obiettivo è molto importante per mantenere un ritmo costante durante l'esercizio. La velocità del vostro lavoro dovrebbe essere sufficiente per aumentare il vostro battito cardiaco nella zona target mostrata sul grafico qui sotto.



Questa fase dovrebbe durare almeno 12 minuti anche se la maggior parte delle persone inizia a circa 15-20 minuti

### La fase di defaticamento

Questa fase consente al vostro sistema cardiovascolare e ai vostri muscoli di rilassarsi. Questa è una ripetizione dell'esercizio di riscaldamento, cioè riduce il vostro ritmo, e continua per circa 5 minuti. Gli esercizi di stretching adesso andrebbero ripetuti, ricordandosi sempre di non forzare o strappare i vostri muscoli nello stretching.

A mano a mano che sarete più in forma, potrete aver bisogno di allenarvi di più e più a lungo. Si consiglia di allenarsi almeno tre volte alla settimana, e se possibile, spalmare gli esercizi in

### Tono muscolare

Per tonificare i muscoli mentre siete sul vostro fitness trainer dovrete impostare la resistenza abbastanza alta. Questo sforzerà di più i muscoli delle vostre gambe e potrebbe voler dire che non potrete allenarvi per il tempo che avreste desiderato. Se anche voi state cercando di migliorare la vostra forma dovrete modificare il vostro programma di allenamento. Dovreste allenarvi normalmente durante le fasi di riscaldamento e di defaticamento, ma verso la fine della fase dell'esercizio dovrete aumentare la resistenza, per fare lavorare di più le vostre gambe. Dovrete ridurre la vostra velocità per mantenere la vostra frequenza cardiaca nella zona target.

### Perdere peso

Qui il fattore importante è la quantità di sforzo che mettete. Più forte e a lungo lavorate e più calorie brucerete. In effetti è uguale a come se stesse allenandovi per migliorare la vostra forma, la differenza è l'obiettivo.

### Frequenza cardiaca

#### Misurazione della frequenza cardiaca (fascia toracica)

##### NOTA

- La fascia toracica non è di serie con questa macchina. Se si desidera utilizzare una fascia toracica wireless, è necessario acquistarla come accessorio.

La misurazione della frequenza cardiaca più accurata si ottiene tramite una fascia cardiaca. La misurazione viene effettuata da un ricevitore della frequenza cardiaca combinato con una fascia toracica trasmittente. Per un'accurata misurazione della frequenza cardiaca, gli elettrodi sulla fascia del trasmettitore devono essere leggermente umidi e costantemente a contatto con la pelle. Se gli elettrodi sono troppo asciutti o troppo bagnati, la misurazione della frequenza cardiaca diventa meno accurata.

##### ATTENZIONE

- Se l'utente è portatore di pacemaker, consultare un medico prima di utilizzare una fascia toracica per la misurazione della frequenza cardiaca.

##### AVVISO

- In presenza di numerosi dispositivi per la misurazione della frequenza cardiaca vicini, verificare che siano almeno ad una distanza di 1,5 metri uno dall'altro.
- In presenza di un solo ricevitore e numerosi trasmettitori di frequenza cardiaca, verificare che solo una persona con un trasmettitore sia all'interno del campo di trasmissione.

##### NOTA

- Indossare sempre la fascia toracica sotto gli abiti a diretto contatto con la pelle. Non indossare la fascia toracica sopra gli abiti. Indossando la fascia toracica sopra gli abiti, non sarà trasmesso alcun segnale.
- Impostando un limite per la frequenza cardiaca, viene generato un allarme acustico al superamento di tale limite.
- Il trasmettitore trasmette la frequenza cardiaca alla console fino ad una distanza di 1 metro. Se gli elettrodi non sono umidi, la frequenza cardiaca non viene visualizzata sul display.
- Alcune fibre negli abiti (ad es. poliestere, poliammide) creano elettricità statica che può impedire un'accurata misurazione della frequenza cardiaca.
- Cellulari, TV e altri apparecchi elettrici creano un campo magnetico che può impedire un'accurata misurazione della frequenza cardiaca.

### Massima frequenza cardiaca (durante l'allenamento)

La massima frequenza cardiaca è la frequenza cardiaca più elevata che una persona può raggiungere in sicurezza durante lo stress dell'allenamento. Per calcolare la massima frequenza cardiaca media, viene utilizzata la seguente formula:  $220 - \text{ETÀ}$ . La massima frequenza cardiaca varia da persona a persona.

#### ATTENZIONE

- Porre attenzione a non superare la massima frequenza cardiaca durante l'allenamento. In caso di appartenenza ad un gruppo a rischio, consultare un medico.

### Principianti

#### 50-60% della massima frequenza cardiaca

Adatta per persone in fase di dieta dimagrante, principianti, convalescenti e per chi non fa esercizio da molto tempo. Allenarsi almeno tre volte alla settimana, per 30 minuti alla volta.

### Livello avanzato

#### 60-70% della massima frequenza cardiaca

Adatta per coloro che desiderano migliorare e mantenere la forma fisica. Allenarsi almeno tre volte alla settimana, per 30 minuti alla volta.

### Esperti

#### 70-80% della massima frequenza cardiaca

Adatta per le persone in perfetta forma fisica abituate ad allenamenti che richiedono molta resistenza.

## Utilizzo

### Regolazione dei piedini di appoggio

L'attrezzo è dotato di piedini di appoggio regolabili. Se risulta instabile, traballante o non ben livellata, questi piedini di appoggio possono essere regolati per apportare le correzioni richieste.

- Avvitare/svitare i piedini di appoggio come richiesto per mettere l'attrezzo in una posizione stabile e il più possibile livellata.)
- Serrare il controdado\* per bloccare i piedini di appoggio.

#### NOTA

- L'attrezzo è più stabile se regolato più vicino al pavimento. Pertanto, iniziare a livellare l'attrezzo avvitando completamente tutti i piedini di appoggio, prima di svitare i piedini di appoggio per stabilizzare e livellare l'attrezzo.



Cliccare per vedere il nostro video di supporto su YouTube  
<https://youtu.be/3BiN9mc5Tmw?t=535>

### Regolazione della posizione orizzontale del sedile

La posizione orizzontale del sedile può essere modificata e regolata come desiderato. (Fig. E-2)

- Allentare la guida del sedile ruotando la leva di sgancio rapido in senso orario.
- Spostare il sedile nella posizione desiderata.
- Fissare la guida del sedile ruotando la leva di sgancio rapido in senso orario.

#### NOTA

- La leva di sgancio rapido è azionata da una molla. Per ripristinare la posizione della leva si può tirare la leva stessa verso il basso, riposizionarla e rilasciarla nuovamente.

### Regolazione della posizione verticale del sedile

È possibile regolare la posizione verticale del sedile impostando il reggisella nella posizione richiesta. (Fig. E-2)

Con la gamba quasi stesa, l'arco del piede deve toccare il pedale nel punto più basso.

- Allentare la manopola di regolazione del reggisella.
- Spostare il reggisella nella posizione richiesta.
- Serrare la manopola di regolazione del reggisella.

### Regolazione della posizione orizzontale del manubrio

La posizione orizzontale del manubrio può essere modificata spostando [?] a maggiore o minore distanza dall'utente nella posizione desiderata. (Fig. E-2)

- Allentare il telaio di fissaggio del manubrio ruotando la leva di sgancio rapido in senso orario.
- Spostare il telaio di fissaggio del manubrio nella posizione desiderata.
- Fissare il telaio del manubrio ruotando la leva di sgancio rapido in senso orario.

#### NOTA

- La leva di sgancio rapido è azionata da una molla. Per ripristinare la posizione della leva si può tirare la leva stessa verso il basso, riposizionarla e rilasciarla nuovamente.

### Regolazione dell'altezza del manubrio

L'altezza del manubrio può essere regolata alla quota ottimale in base alle preferenze e alla posizione di esercizio dell'utente. (Fig. E-2)

- Tenere fermo il manubrio prima di allentare la manopola di regolazione, poi ruotare la manopola di 2 giri completi in senso antiorario e tirarla verso l'esterno.
- Mantenendo la manopola a molla tirata verso l'esterno, spostare il manubrio nella posizione desiderata.
- Una volta trovata l'altezza desiderata, rilasciare la manopola a molla e muovere leggermente il manubrio in su e in giù per accertarsi che la manopola a molla si assesti nella posizione di fissaggio chiusa.
- Stringere saldamente la manopola di regolazione del manubrio ruotandola in senso orario.

### Regolazione della resistenza (Fig. G-1)

La resistenza può essere regolata per intensificare o facilitare l'allenamento.

- Tirare la leva di resistenza verso l'alto per ridurre il livello di tensione.  
Il livello di tensione viene visualizzato sulla console.
- Spingere la leva della resistenza verso il basso per aumentare il livello di tensione.  
Il livello di tensione viene visualizzato sulla console.

#### NOTA

- La leva di regolazione della tensione è utilizzata anche come freno di emergenza; quando si spinge la leva oltre il massimo livello di tensione, si attiva il cuscinetto di attrito del freno di emergenza.

### Manopola del freno di emergenza (Fig. G-2)

Per attivare il freno di emergenza, premere fino in fondo e con forza la leva di tensione del freno.

## Come usare il nostro pedale a doppia funzione

Se avete domande da fare vi consigliamo di chiedere assistenza ad un rivenditore di biciclette, o di consultare le istruzioni del produttore delle scarpette.

Quando si fissa la tacchetta, la linea centrale laterale dovrebbe trovarsi sotto il centro del cuscinetto plantare. Regolare avanti e indietro tramite le fessure nella suola della scarpetta. Regolare lateralmente giocando tra la rondella della tacchetta e la tacchetta. Serrare bene le tacchette. La posizione della tacchetta può essere regolata bene, secondo le preferenze personali, dopo un giro di prova. Potrebbe servire del tempo prima di trovare il proprio setup ottimale della tacchetta.

### Puntapiedi

Tutti i puntapiedi standard possono essere attaccati ai pedali. Utilizzare viterie e istruzioni d'installazione fornite con i puntapiedi e garantire che le viti di fissaggio siano serrate bene prima dell'uso.

### Utilizzo dei pedali

Mettere le scarpette tacchettate nei pedali inserendo la tacchetta fra i lacci premendo giù.

Staccarsi ruotando la caviglia lontano dalla bicicletta per gli esercizi. La tensione di connessione è regolabile e andrebbe impostata di modo che la tacchetta e la scarpa non si stacchino quando si pedala. Utilizzare una chiave a brugola per girare le viti di regolazione della tensione, in senso orario per aumentare la tensione, in senso antiorario per diminuirla.

## Sostituzione delle batterie (Fig E-1 )

La console è dotata di 2x AA batterie stilo sul retro della console.

- Rimuovere il coperchio.
- Rimuovere le vecchie batterie.
- Inserire le nuove batterie. Verificare che le batterie rispettino i simboli della polarità (+) e (-).
- Montare il coperchio.

### ❗ NOTA

- Le batterie scariche dovrebbero sempre essere smaltite secondo le direttive locali in materia ambientale.

### ⚠ AVVERTENZA

- Non esporre le batterie a escursioni di temperatura importanti per evitare che le batterie possano perdere del liquido.
- Per evitare che ciò accada, togliete le batterie se pensate di non usare il vostro dispositivo per lunghi periodi di tempo.
- Se si inseriscono più batterie in un dispositivo, utilizzare sempre la stessa marca, lo stesso tipo e lo stesso livello di energia.

## Console (fig F-2)

### ⚠ AVVISO

- Non esporre la console alla luce solare diretta.
- Asciugare la superficie della console se è coperta da gocce di sudore.
- Non appoggiarsi sulla console.
- Toccare il display solo con la punta delle dita. Non toccare il display con le unghie o con oggetti appuntiti.

### ❗ NOTA

- La console passa in modalità standby quando l'apparecchio non viene utilizzato per 4 minuti.

## Spiegazione delle funzioni di visualizzazione

### RPM

- Visualizza i giri al minuto.
- Intervallo: 0 ~ 188 giri al minuto.
- Se durante l'allenamento non viene trasmesso alcun segnale al monitor per 4 secondi, RPM visualizzerà "0"
- Quando si interrompe l'allenamento, il display esegue la scansione tra AVG e MAX, in cui:  
AVG: Sono le "RPM" medie durante il tuo ultimo allenamento.  
MAX: Sono le "RPM" massime raggiunte durante l'ultimo allenamento.

### TEMPO

- Accumula automaticamente il tempo di allenamento durante l'attività.
- Se il valore target è impostato, il tempo verrà conteggiato alla rovescia dal target e al raggiungimento dello 0 suonerà un allarme acustico.
- Intervallo di visualizzazione: 00:00 ~ 99:59.

### SPEED [VELOCITÀ]

- Visualizza la velocità di allenamento corrente.
- Intervallo 0,0 ~ 99,9 / Unità: KM/H.
- Se durante l'allenamento non viene trasmesso alcun segnale al monitor per 4 secondi, la Velocità visualizzata sarà "0"
- Quando si interrompe l'allenamento, il display esegue la scansione tra AVG e MAX, in cui:  
AVG: È la "Velocità" media durante il tuo ultimo allenamento.  
MAX: È la "Velocità" massima raggiunta durante l'ultimo allenamento.

### DIST (Distanza)

- Se il valore dell'obiettivo non è impostato, il conteggio della distanza prosegue normalmente.
- Quando il valore target è impostato, la distanza verrà conteggiata alla rovescia dal target e al raggiungimento dello 0 scatterà un allarme.
- Intervallo 0,0 ~ 99,99 / Unità: KM.

### KCAL (Calorie)

- Se il valore dell'obiettivo non è impostato, il conteggio delle calorie prosegue normalmente.
- Quando il valore target è impostato, le calorie verranno conteggiate alla rovescia dal target e al raggiungimento dello 0 scatterà un allarme.
- Intervallo: 0 ~ 9999 / Unità: K.Cal.

### ❗ NOTA

- Questi dati vogliono semplicemente essere una guida approssimativa per il confronto fra le diverse sessioni di esercizi e non possono essere utilizzati per eventuali cure mediche

### PULSE [BATTITO CARDIACO]

- Il battito corrente viene visualizzato dopo 6 secondi da quando viene rilevato dalla console.
- Se non viene rilevato alcun segnale per 6 secondi, la console visualizzerà "P".
- Intervallo: 0-30~ 230 BPM.
- Quando si interrompe l'allenamento, il display esegue la scansione tra AVG e MAX, in cui:  
AVG: È il "Battito cardiaco" medio durante il tuo ultimo allenamento.  
MAX: È il "Battito cardiaco" massimo raggiunto durante l'ultimo allenamento



**WATT**

- Visualizza i watt di allenamento correnti.
- Intervallo: 0 ~ 999

**LOAD [CARICO]**

- Mostra l'impostazione del livello della tensione.
- Intervallo: 1 ~ 32

**Spiegazione dei pulsanti****MODALITÀ**

In modalità allenamento:

- Premere brevemente per fissare il parametro visualizzato e mantenere questo parametro nella modalità di visualizzazione fissa. Il nome del parametro visualizzato lampeggerà.
- Premere brevemente 1 volta per sbloccare la modalità di visualizzazione fissa e attivare nuovamente la modalità di visualizzazione a scansione. Il nome del parametro visualizzato sarà costantemente illuminato
- Tenere premuto per più di 2 secondi per riavviare la console e impostare nuovamente tutti i valori accumulati su "0".

In modalità programmazione:

- Modificare il parametro per impostare l'obiettivo.

**SET [IMPOSTA]**

In modalità allenamento:

Nessuna funzione assegnata in modalità allenamento, quando viene premuto si retroillumina e suona un doppio segnale acustico per segnalare un'azione non funzionale.

In modalità programmazione:

- Impostazione dei valori obiettivo. Premere brevemente 1 volta per aumentare il valore di un'unità alla volta. Tenere premuto per aumentare rapidamente il valore.

**RESET [REIMPOSTA]**

In modalità allenamento:

- Tenere premuto per più di 2 secondi per riavviare la console e impostare nuovamente tutti i valori accumulati su "0".

In modalità programmazione:

- Azzerare e reimpostare il valore del parametro.

**Utilizzo****Accensione**

- Premere qualsiasi tasto per accendere la console mentre si trova in modalità sleep..
- Iniziare a pedalare per accendere la console quando si trova in modalità sleep.

**Spegnimento**

In assenza di segnale trasmesso nel monitor per 4 minuti, il monitor entrerà automaticamente in modalità SLEEP.

**Programmi****Impostazione del target di allenamento**

- Premere il tasto MODALITÀ per alternare tra le funzioni: TEMPO, DISTANZA, CALORIE E BATTITO CARDIACO.
- Utilizzare il tasto SET per impostare il target per l'allenamento pianificato. Premere brevemente 1 volta per aumentare il valore di un'unità alla volta. Tenere premuto per aumentare rapidamente il valore.
- Utilizzare il tasto RESET per azzerare la modalità target visualizzata.

MODALITÀ TARGET TEMPO:

- Impostazione intervallo: 1:00 ~ 99:00
- Unità di impostazione: 1:00 minuto

MODALITÀ TARGET DIST:

- Impostazione intervallo: 0.0 ~ 99:5
- Unità di impostazione: 0,5 KM

MODALITÀ TARGET CALORIE:

- Impostazione intervallo: 10 ~ 9990 +10
- Unità di impostazione: 10 Kcal.

MODALITÀ TARGET BATTITO CARDIACO:

- Impostazione intervallo: 0 -3 0 ~ 230
- Unità di impostazione: 1 Bpm

**!! NOTA**

- Lasciando le impostazioni di un target a 0, questo non sarà visto come un target.

**Funzioni della console in modalità target**

- Iniziare a pedalare per avviare l'allenamento in qualsiasi momento, e iniziare il conteggio dei valori senza target impostato.
- Se è stato impostato un target per un valore specifico, il valore verrà conteggiato alla rovescia fino al raggiungimento del target.
- Quando il target viene raggiunto, un segnale acustico suonerà brevemente per avvisare che hai raggiunto l'obiettivo e se continui ad allenarti, il conteggio del valore del parametro specifico continuerà ad avanzare.
- Quando si imposta un limite di battiti, se i battiti misurati superano il limite impostato scatta un segnale acustico per avvisare che la frequenza cardiaca misurata è superiore al target impostato.

Bluetooth & APP

- Questa console può collegare una APP al dispositivo smart tramite Bluetooth (iOS & Android).
- Una volta che la console è collegata al dispositivo smart tramite Bluetooth, la console si spegnerà.
- Quando viene stabilita la connessione Bluetooth tra APP e console, il display della console sarà oscurato.

**!! NOTA**

- Tunturi fornisce solo l'opzione per collegare la vostra console fitness tramite un collegamento bluetooth. Quindi Tunturi non può essere ritenuta responsabile di eventuali danni o malfunzionamento di prodotti che non siano prodotti Tunturi.
- Controllare il sito web per ulteriori informazioni.

Questa console può ricevere un trasmettitore di frequenza cardiaca Bluetooth. Non è necessario associare il dispositivo, poiché la console rileverà automaticamente il trasmettitore della frequenza cardiaca quando si trova nel raggio d'azione.

## Pulizia e manutenzione

L'attrezzo richiede pochissima manutenzione, seguire le istruzioni qui di seguito. L'attrezzo non necessita di essere ricalibrato se viene assemblato, utilizzato e sottoposto a manutenzione secondo le istruzioni.

### ⚠ AVVERTENZA

- Non utilizzare solventi per pulire l'attrezzo.
- Pulire l'attrezzo con un panno morbido e assorbente dopo ogni uso.
- Controllare regolarmente che tutte le viti e i dadi siano stretti.

## Difetti e malfunzionamenti

Nonostante il costante controllo di qualità, i singoli componenti possono causare difetti e malfunzionamenti all'apparecchio. Nella maggior parte dei casi, è sufficiente sostituire i componenti difettosi.

- Se l'apparecchio non funziona correttamente, contattare immediatamente il rivenditore.
- Fornire il numero di modello e il numero di serie dell'apparecchio al rivenditore. Comunicare la natura del problema, le condizioni d'uso e la data d'acquisto.

### Risoluzione dei problemi:

- Se la visualizzazione dello schermo LCD è debole, significa che le batterie devono essere cambiate.
- Se non c'è nessun segnale quando si pedala, controllare se il cavo è connesso bene.

### ⚠ NOTA

- Se si interrompe l'allenamento per 4 minuti, la schermata principale si spegnerà.
- Se il computer visualizza le cose in modo anomalo, reinsertare le batterie e riprovare.

### Sensazione di instabilità o instabilità durante l'uso

Se la macchina si sente instabile o instabile durante il funzionamento, è consigliabile regolare i piedini di supporto per portare il telaio all'altezza corretta. Leggi le istruzioni in questo manuale nella sezione: "Uso"

## Trasporto e stoccaggio

### ⚠ ATTENZIONE

- Per trasportare e spostare l'apparecchio sono necessarie almeno due persone.
- Posizionarsi in piedi davanti all'apparecchio da entrambi i lati e afferrare saldamente le impugnature. Sollevare la parte anteriore dell'apparecchio in modo da sollevare il retro sulle ruote. Spostare l'apparecchio e abbassarlo con cura. Collocare l'apparecchio su una base protettiva per evitare danni alla superficie del pavimento.
- Spostare l'apparecchiatura con attenzione sulle superfici irregolari. Non spostare l'apparecchio al piano superiore utilizzando le ruote ma sostenerlo per le impugnature.
- Riporre l'apparecchio in un luogo asciutto con la minore variazione di temperatura possibile.

## Garanzia

### Garanzia dell'attrezzo sportivo Tunturi

#### Condizioni di garanzia

Il consumatore beneficia dei diritti legali applicabili previsti dalla legislazione nazionale in materia di commercio di beni di consumo. La garanzia non limita tali diritti. La Garanzia dell'acquirente è valida solo se l'articolo viene utilizzato in un ambiente approvato da Tunturi New Fitness BV per quel determinato attrezzo. Le istruzioni relative all'ambiente e di manutenzione specifiche per il prodotto sono riportate nel "manuale utente" del prodotto. Il "manuale utente" può essere scaricato dal nostro sito web. <http://manuals.tunturi.com>

#### Condizioni per la garanzia

La garanzia entra in vigore dalla data dell'acquisto dell'attrezzo. Le condizioni per la garanzia possono variare in funzione del paese. Rivolgersi al rivenditore di zona per maggiori informazioni sulle condizioni per la garanzia.

#### Copertura della garanzia

L'azienda Tunturi Ltd ed i suoi rappresentanti non rispondono per nessun motivo dei danni indiretti causati all'acquirente dall'attrezzo. Per danni indiretti s'intendono quelli relativi al mancato sfruttamento dell'attrezzo, mancato guadagno o altri danni di natura economica.

#### Limiti di garanzia

La garanzia copre i difetti di materiale e fabbrica dell'attrezzo che si manifestano subito dopo l'acquisto. La garanzia copre solo i difetti che si manifestano durante l'uso normale e conforme alle istruzioni del manuale di installazione, manutenzione ed uso fornito da Tunturi. L'azienda Tunturi Ltd ed i suoi rivenditori non rispondono dei danni causati da eventi al di fuori del loro controllo. La garanzia riguarda solo il proprietario originario dell'attrezzo ed è in vigore solo in quei paesi in cui Tunturi Ltd dispone di un proprio rappresentante autorizzato.

La garanzia non copre i difetti di quegli attrezzi o componenti che sono stati modificati senza l'espressa autorizzazione del fabbricante Tunturi Ltd. La garanzia non copre i difetti causati dalla normale usura, da un uso in condizioni non previste, dalla corrosione, dalla movimentazione e dal trasporto.

La garanzia non copre rumori o suoni emessi durante l'uso a meno che non impediscano l'uso dell'attrezzo e che non siano causati da un guasto all'attrezzo stesso.

La garanzia non comprende nemmeno i normali interventi di servizio dell'attrezzo, come per esempio la pulizia, lubrificazione, controllo periodico dei componenti né le piccole installazioni che può effettuare il cliente stesso e che non richiedono lo smontaggio/montaggio dell'attrezzo. Questi interventi sono, per esempio, la sostituzione del pannello, dei pedali o di altri componenti analoghi. La garanzia non copre gli interventi di riparazione previsti, se non vengono eseguiti da un rappresentante autorizzato Tunturi. Se sbagliate a seguire le istruzioni del manuale d'uso, decade subito la garanzia sul prodotto.

## Dati tecnici

Parametro	Unità di misura	Valore
Lunghezza	cm	156.0
	inch	61.4
Larghezza	cm	59.0
	inch	23.2
Altezza	cm	142.0
	inch	55.9
Peso	kg	53.2
	lbs	117.3
Peso massimo utente	kg	180
	lbs	397
Battery size	2x	AA
Misurazione della frequenza cardiaca disponibile tramite:	Contatto impugnatura	No
	5.0 Khz	No
	5,3 Khz.	Si
	Bluetooth (BLE)	No
	ANT+	No

### AVVISO IMPORTANTE

La console è dotata di un ricevitore da 5,3 Khz per evitare interferenze con il modulo BT integrato che funziona con un segnale di frequenza da 5,0 Khz.

Pertanto non possiamo garantire che la console sia in grado di supportare una fascia toracica da 5,0 Khz. Sebbene la nostra esperienza mostri che in generale un trasmettitore di frequenza cardiaca da 5,0 Khz (fascia toracica) funziona senza problemi, non è tuttavia possibile garantirlo.

## Dichiarazione del fabbricante

Tunturi New Fitness BV dichiara che questo prodotto è conforme ai seguenti standard e direttive: EN 957 (S Class), 2014/30/EU. Pertanto sul prodotto è apposto il marchio CE.

11-2023

Tunturi New Fitness BV  
Purmerweg 1  
1311 XE Almere  
Paesi Bassi

## Clausola di esonero della responsabilità

© 2023 Tunturi New Fitness BV  
Tutti i diritti riservati.

- Il prodotto e il manuale sono soggetti a modifiche.
- Le specifiche tecniche possono essere modificate senza preavviso.
- Vedere il nostro sito Web per la versione del manuale più recente.

## Español

Este manual español es una traducción del texto inglés. No se pueden derivar derechos de esta traducción. El texto original en inglés prevalecerá.

## Índice

<b>¡Bienvenido .....</b>	<b>52</b>
<b>Advertencias de seguridad.....</b>	<b>52</b>
<b>Instrucciones de montaje.....</b>	<b>53</b>
Descripción de la ilustración A.....	53
Descripción de la ilustración B.....	53
Descripción de la ilustración C.....	53
Descripción de la ilustración D.....	53
Información adicional de montaje.....	53
Información ambiental adicional.....	53
Zona de entrenamiento libre (Fig. D-0).....	53
<b>Sesiones de ejercicio .....</b>	<b>53</b>
Ejercicio Instrucciones.....	54
Del ritmo cardíaco.....	54
<b>Uso .....</b>	<b>55</b>
Ajuste de las patas de apoyo.....	55
Ajuste de la posición horizontal del asiento .....	55
Ajuste de la posición del sillín vertical .....	55
Ajuste de la posición horizontal del manillar .....	55
Ajuste de la altura del manillar.....	55
Ajuste de la resistencia (Fig. G-1).....	55
Perilla del freno de emergencia (Fig. G-2) .....	55
Cómo usar el pedal de doble función .....	56
Sustitución de las pilas (Fig E-1).....	56
<b>Console (fig F-2) .....</b>	<b>56</b>
Explicación de las funciones de pantalla .....	56
Explicación de los botones .....	57
Funcionamiento .....	57
Programas .....	57
Bluetooth & APP .....	57
<b>Limpieza y mantenimiento.....</b>	<b>58</b>
Defectos y fallos.....	58
<b>Transporte y almacenamiento.....</b>	<b>58</b>
<b>Garantía.....</b>	<b>58</b>
<b>Datos técnicos .....</b>	<b>59</b>
<b>Declaración del fabricante .....</b>	<b>59</b>
<b>Descargo de responsabilidad .....</b>	<b>59</b>

## ¡Bienvenido

¡Bienvenido al mundo de Tunturi Fitness!

Le agradecemos la compra de esta máquina Tunturi. Tunturi ofrece una amplia gama de máquinas de fitness profesionales como bicicletas elípticas, cintas de correr, bicicletas de ejercicio, bancos de fuerza y estaciones múltiples. La máquina Tunturi es adecuada para toda la familia, independientemente del nivel de forma física. Si desea información adicional, visite nuestro sitio web [www.tunturi.com](http://www.tunturi.com)

### Información y precauciones

Lea atentamente esta guía antes del montaje, uso o mantenimiento de su equipo de ejercicio. Mantenga esta guía en lugar seguro; le brindará hoy y en el futuro la información que necesite para usar y mantener su equipo. Siga siempre atentamente sus instrucciones.

## Advertencias de seguridad

### ⚠ ADVERTENCIA

- Lea las advertencias de seguridad y las instrucciones. De no seguirse las advertencias de seguridad y las instrucciones pueden producirse lesiones personales o daños en la máquina. Conserve las advertencias de seguridad y las instrucciones para su consulta posterior.

### ⚠ ADVERTENCIA

- Los sistemas de motorización de frecuencia cardíaca pueden ser imprecisos. Un exceso de ejercicio puede provocar lesiones graves o incluso la muerte. Si se siente mareado, deje de hacer ejercicio inmediatamente.
- La máquina es adecuada únicamente para uso doméstico y profesional (p. ej. hospitales, cuarteles de bomberos, hoteles, colegios, etc.).
- El uso de esta máquina por niños o por personas con una discapacidad física, sensorial o motora, o falta de experiencia y conocimientos, puede dar lugar a situaciones de riesgo. Las personas responsables de su seguridad deben dar instrucciones explícitas o supervisar el uso de la máquina.
- Antes de empezar a hacer ejercicio, consulte con un médico para comprobar su estado de salud.
- Si experimenta náuseas, mareos u otros síntomas anormales, deje de hacer ejercicio inmediatamente y consulte con un médico.
- Para evitar dolor y tensión muscular, realice un calentamiento antes de empezar a hacer ejercicio y termine haciendo relajación. Recuerde hacer estiramientos al final de la sesión de ejercicio.
- La máquina es adecuada únicamente para uso en interior. La máquina no es adecuada para un uso en exterior.
- Utilice la máquina únicamente en lugares con una ventilación adecuada. No utilice la máquina en lugares donde haya corriente para no resfriarse.
- Utilice la máquina únicamente en lugares con una temperatura ambiente entre +15°C~+35°C / 59°F~95°F. Almacene la máquina únicamente en lugares con una temperatura ambiente entre +5°C~+45°C / 41°F~113°F.
- No utilice ni almacene la máquina en espacios húmedos. La humedad del aire no debe ser superior al 80%.
- Utilice la máquina sólo para su uso previsto. No la utilice para otros fines que no sean los descritos en el manual.
- La máquina no debe utilizarse si alguna de las piezas ha sufrido daños o tiene algún defecto. Contacte con su proveedor si alguna de las piezas ha sufrido daños o tiene algún defecto.
- Mantenga las manos, los pies y demás partes del cuerpo alejadas de las piezas móviles.
- Mantenga el pelo alejado de las piezas móviles.

- Lleve ropa y calzado adecuado.
- Mantenga la ropa, las joyas y otros objetos alejados de las piezas móviles.
- Asegúrese de que sólo una persona utilice la máquina cada vez. La máquina no debe ser utilizada por personas cuyo peso supere los 180kg (397 lbs).
- No abra la máquina sin consultar con su proveedor.

## Instrucciones de montaje

### Descripción de la ilustración A

La ilustración muestra cuál debe ser el aspecto de la máquina una vez completado el montaje.

Puede utilizar esta ilustración como referencia durante el montaje, pero siga siempre los pasos de montaje en el orden correcto como se muestra en las ilustraciones.

### Descripción de la ilustración B

La ilustración muestra los componentes y las piezas que debe encontrar al desembalar el producto.

#### !! ATENCIÓN !!

- Las piezas de pequeño tamaño pueden estar ocultas o embaladas en espacios huecos del sistema de protección de poliestireno extruido del producto

### Descripción de la ilustración C

La ilustración muestra el juego de tornillería que se suministra con el producto.

El juego de tornillería contiene pernos, arandelas, tornillos, tuercas, etc. y las herramientas necesarias para montar correctamente la máquina.

### Descripción de la ilustración D

Las ilustraciones muestran cómo montar mejor la máquina en el orden correcto.

#### ⚠ ADVERTENCIA

- Monte la máquina en el orden indicado.
- Al menos dos personas deben transportar y mover la máquina.

#### ⚠ PRECAUCIÓN

- Coloque la máquina sobre una superficie firme y nivelada.
- Coloque la máquina sobre una base protectora para evitar daños en la superficie del suelo.
- Consulte las ilustraciones para el correcto montaje de la máquina.

## Información adicional de montaje

### D5 Cómo montar los pedales correctamente.

#### !! ATENCIÓN !!

- El lado derecho e izquierdo se determinan desde la perspectiva de las posiciones de ejercicio.

#### Pedal derecho

Localice la marca "R" o "L" en el eje del pedal

- Monte el pedal derecho "R" en la biela derecha.
- Primero, gire el eje del pedal a mano en sentido de las agujas del reloj.
- Utilice la llave para apretar el pedal por completo.

#### Pedal izquierdo

- Monte el pedal izquierdo "L" en la biela izquierda.
- Primero, gire el eje del pedal a mano en sentido contrario a las agujas del reloj.
- Utilice la llave para apretar el pedal por completo.



Haga clic para ver nuestro video de ayuda en YouTube  
<https://youtu.be/3BiN9mc5Tmw?t=101>

#### !! NOTA

- Guarde las herramientas suministradas con este producto una vez que haya completado el montaje del producto, para futuros fines de servicio.

## Información ambiental adicional

### Eliminación de embalajes

Las pautas gubernamentales exigen reducir la cantidad de residuos que se depositan en los basureros. Por este motivo, le rogamos que deseche los embalajes de manera responsable en centros públicos de reciclaje.

### Eliminación al final de la vida útil

Desde Tunturi esperamos que disfrute de su equipo de entrenamiento durante muchos años. No obstante, llegará un momento en que éste llegue al final de su vida útil. Conforme a la Directiva WEEE (relativa a la gestión de residuos procedentes de equipos eléctricos y electrónicos) le corresponde a usted la responsabilidad de desechar adecuadamente su equipo de entrenamiento en un centro público autorizado de recogida.

## Zona de entrenamiento libre (Fig. D-0)

### Parte delantera del equipo

Deje al menos 30 cm de espacio libre delante del equipo.

- La zona de entrenamiento libre de esta sección puede compartirse con otro equipo del mismo tipo cuando ambos están enfrentados.

### Lateral del equipo.

Deje al menos 60 cm de espacio libre a cada lado del equipo.

- La zona de entrenamiento libre de esta sección puede compartirse con otro equipo del mismo tipo cuando ambos están enfrentados.

### Parte trasera del equipo

Deje al menos 200 cm de espacio libre detrás del equipo.

- La zona de entrenamiento libre para esta sección no puede compartirse con otros equipos del mismo tipo. El espacio libre adicional requerido depende de la orientación de ambos equipos y debe ser la suma de ambos valores.

## Sesiones de ejercicio

La sesión de ejercicio debe ser ligera, pero de larga duración. El ejercicio aeróbico se basa en mejorar el consumo de oxígeno máximo del cuerpo, lo que a su vez mejora la resistencia y la forma física. Debe transpirar, pero no debe quedarse sin aliento durante la sesión de ejercicio. Para lograr y mantener un nivel de forma física básico, debe realizar ejercicio al menos tres veces a la semana, 30 minutos cada vez. Aumente el número de sesiones de ejercicio para mejorar su nivel de forma física. Vale la pena combinar el ejercicio regular con una dieta sana. Una persona que se encuentre a dieta debe realizar ejercicio a diario, al principio 30 minutos o menos cada vez, aumentando gradualmente el tiempo de ejercicio diario hasta una hora. Empiece la sesión de ejercicio a velocidad baja y resistencia baja para evitar que el sistema cardiovascular se vea sometido a una tensión excesiva. A medida que mejore el nivel de forma física, pueden aumentarse gradualmente la velocidad y la resistencia. La

eficiencia de su ejercicio puede medirse supervisando su frecuencia cardíaca y sus pulsaciones.

### **Ejercicio Instrucciones**

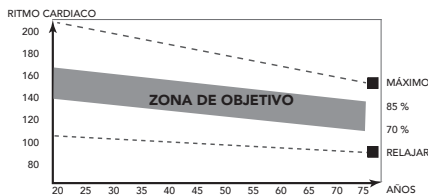
El uso de su entrenador le aportará muchas ventajas, mejorará su tono físico, tonificará los músculos y, combinado con una dieta con un consumo controlado de calorías, le ayudará a perder peso.

#### **Fase de calentamiento**

Esta fase mejora la circulación y favorece el buen funcionamiento de los músculos. Asimismo, reduce el riesgo de calambres y de lesiones musculares. Es conveniente realizar una serie de ejercicios de estiramiento, como se muestra más abajo. Al estirar se debe mantener la posición durante unos 30 segundos; no fuerce los músculos ni realice movimientos bruscos para estirarlos, si duele, PARE inmediatamente.

#### **Fase de ejercicio**

Esta es la fase de esfuerzo. Tras un uso regular, los músculos de las piernas irán ganando flexibilidad. Es importante mantener un ritmo estable durante toda esta fase. El ejercicio debe ser lo suficientemente fuerte como para incrementar el ritmo cardíaco hasta el objetivo que se muestra en el siguiente cuadro.



Esta fase debe tener una duración mínima de 12 minutos, aunque la mayoría de las personas empiezan a los 15-20 minutos.

#### **Fase de enfriamiento**

La finalidad de esta fase es permitir que se relaje el sistema cardiovascular y los músculos. Es una repetición del ejercicio de calentamiento, por lo que debe ir reduciendo el ritmo de manera constante durante unos 5 minutos. En este momento debe repetir también los ejercicios de estiramiento, evitando de nuevo forzar los músculos o hacer movimientos bruscos.

A medida que vaya mejorando su forma física, es posible que el entrenamiento tenga que ser más largo e intenso. Es aconsejable entrenarse al menos tres veces a la semana, espaciando de manera uniforme, en la medida de lo posible, los entrenamientos durante la semana.

#### **Tonificación muscular**

Si quiere tonificar los músculos mientras trabaja con el aparato, deberá ajustar la resistencia en un nivel bastante alto. Así aumentará la tensión sobre los músculos de las piernas, con lo que es posible que no pueda entrenarse durante todo el tiempo que le gustaría. Si quiere mejorar su condición física, tendrá que modificar también el programa de entrenamiento. El entrenamiento durante las fases de calentamiento y enfriamiento será igual, pero debe aumentar la resistencia hacia el final de la fase de ejercicio para incrementar el esfuerzo del tren inferior. Tendrá que reducir la velocidad para mantener el ritmo cardíaco en la zona objetivo.

#### **Pérdida de peso**

El factor determinante en este sentido es el esfuerzo realizado. Cuanto más intenso y prolongado sea el ejercicio físico, más calorías quemará. En realidad, es lo mismo que si se entrenara para mejorar la condición física, lo que cambia es el objetivo.

### **Del ritmo cardíaco**

#### **Medición de la frecuencia cardíaca (correa en el pecho para la frecuencia cardíaca)**

##### **NOTA**

- Una correa de pecho no viene de serie con este entrenador. Cuando te gusta usar una correa de cofre inalámbrica, debes comprarla como accesorio.

La medición más precisa de la frecuencia cardíaca se logra con una correa en el pecho para la frecuencia cardíaca. La frecuencia cardíaca se mide con un receptor de frecuencia cardíaca en combinación con una correa transmisora de la frecuencia cardíaca. Para una medición precisa de la frecuencia cardíaca es necesario que los electrodos de la correa transmisora estén ligeramente húmedos y que toquen constantemente la piel. Si los electrodos están demasiado secos o demasiado húmedos, la medición de la frecuencia cardíaca puede resultar menos precisa.

##### **ADVERTENCIA**

- Si usted tiene un marcapasos, consulte con un médico antes de utilizar una correa en el pecho para la frecuencia cardíaca.

##### **PRECAUCIÓN**

- Si hay varios dispositivos de medición de frecuencia cardíaca en proximidad, asegúrese de que la distancia entre ellos sea de al menos 2 metros.
- Si sólo hay un receptor de frecuencia cardíaca y varios transmisores, asegúrese de que sólo una persona con un transmisor se encuentre en la zona de transmisión.

##### **NOTA**

- Lleve siempre la correa en el pecho para la frecuencia cardíaca debajo de la ropa, en contacto directo con la piel. No lleve la correa en el pecho para la frecuencia cardíaca por encima de la ropa. Si lleva la correa en el pecho para la frecuencia cardíaca por encima de la ropa, no habrá señal.
- Si define un límite de frecuencia cardíaca para su sesión de ejercicio, cada vez que éste se supere sonará una alarma.
- El transmisor transmite la frecuencia cardíaca a la consola hasta una distancia de 1,5 metro. Si los electrodos no están húmedos, la frecuencia cardíaca no aparece en la pantalla.
- Algunas fibras de la ropa (p. ej. poliéster, poliamida) generan electricidad estática, la cual puede impedir la medición precisa de la frecuencia cardíaca.
- Los teléfonos móviles, las televisiones y otros aparatos eléctricos generan un campo electromagnético que puede impedir la medición precisa de la frecuencia cardíaca.

#### **Frecuencia cardíaca máxima (durante el entrenamiento)**

alcanzar una persona de forma segura por la tensión del ejercicio. Se utiliza la siguiente fórmula para calcular la frecuencia cardíaca máxima media:  $220 - EDAD$ . La frecuencia cardíaca máxima varía según la persona.

##### **ADVERTENCIA**

- Asegúrese de no superar la frecuencia cardíaca máxima durante la sesión de ejercicio. Si usted se encuentra en un grupo de riesgo, consulte con un médico.

#### **Principiante**

##### **50-60% de frecuencia cardíaca máxima**

Adecuada para principiantes, personas que cuidan la línea, convalecientes y personas que no han hecho ejercicio en mucho tiempo. Haga ejercicio al menos tres veces a la semana, 30 minutos cada vez.

**Avanzado****60-70% de frecuencia cardíaca máxima**

Adecuada para personas que desean mejorar y mantener la forma física. Haga ejercicio al menos tres veces a la semana, 30 minutos cada vez.

**Experto****70-80% de frecuencia cardíaca máxima**

Adecuado para personas con muy buena forma física que están acostumbradas a sesiones de ejercicio de gran resistencia.

**Uso****Ajuste de las patas de apoyo**

El equipo está equipado con patas de apoyo ajustables. Si el equipo parece estar inestable, poco firme o no está bien nivelado, estas patas de apoyo se podrán ajustar para realizar las correcciones necesarias.

- Gire las patas de apoyo hacia adentro o hacia afuera según sea necesario para colocar el equipo en una posición estable y lo más nivelada posible. )
- Apriete las contratueras\* para bloquear las patas de apoyo.

**⚠ ATENCIÓN!**

- El equipo es más estable cuando está lo más cerca posible del suelo. Por lo tanto, comience a nivelar el equipo girando todas las patas de apoyo completamente hacia adentro, antes de girar las patas necesarias para estabilizar y nivelar el equipo.



Haga clic para ver nuestro video de ayuda en YouTube  
<https://youtu.be/3BiN9mc5Tmw?t=535>

**Ajuste de la posición horizontal del asiento**

La posición horizontal del asiento se puede ajustar colocando el asiento en la posición adecuada. (Fig. E-2)

- Afloje el carril del asiento girando la palanca de liberación rápida en el sentido de las agujas del reloj.
- Desplace el asiento a la posición deseada.
- Apriete el carril del asiento girando la palanca de liberación rápida en el sentido de las agujas del reloj.

**⚠ ATENCIÓN!**

- La palanca de liberación rápida se acciona por resorte. Para restablecer la posición de la palanca, es necesario tirar de ella hacia abajo, volver a colocarla y soltarla de nuevo.

**Ajuste de la posición del sillín vertical**

La posición del sillín vertical puede ajustarse situando el tubo del sillín en la posición deseada. (Fig. E-2)

Con la pierna casi recta, el arco del pie debe tocar el pedal en su punto más bajo.

- Afloje el pomo de ajuste del tubo del sillín.
- Mueva el tubo del sillín a la posición deseada.
- Apriete el pomo de ajuste del tubo del sillín.

**Ajuste de la posición horizontal del manillar**

La posición horizontal del manillar puede ajustarse alejándolo o acercándolo al usuario para colocarlo en la posición deseada. (Fig. E-2)

- Afloje el bastidor de fijación del manillar girando la palanca de liberación rápida en el sentido de las agujas del reloj.
- Coloque el bastidor de fijación del manillar en la posición deseada.
- Apriete el bastidor de fijación del manillar girando la palanca de liberación rápida en el sentido de las agujas del reloj.

**⚠ ATENCIÓN!**

- La palanca de liberación rápida se acciona por resorte. Para restablecer la posición de la palanca, es necesario tirar de ella hacia abajo, volver a colocarla y soltarla de nuevo.

**Ajuste de la altura del manillar**

La altura del manillar se puede ajustar a la preferencia de altura del usuario para obtener la mejor altura y posición de ejercicio del usuario. (Fig. E-2)

- Apoye el manillar antes de aflojar el pomo de ajuste del manillar, afloje el pomo girándolo 2 vueltas completas en sentido contrario a las agujas del reloj y tire del pomo accionado por resorte.
- Sujete el pomo accionado por resorte tirando hacia fuera y mueva el manillar a la posición deseada.
- Cuando encuentre la altura deseada, suelte el pomo accionado por resorte y desplace el manillar ligeramente hacia arriba/abajo para asegurarse de que el pomo accionado por resorte encuentra la posición de fijación cerrada.
- Apriete firmemente el mando de ajuste del manillar girándolo en el sentido de las agujas del reloj.

**Ajuste de la resistencia (Fig. G-1)**

Es posible ajustar la resistencia para intensificar o facilitar el entrenamiento.

- Tire de la palanca de resistencia hacia arriba para reducir el nivel de tensión.  
El nivel de tensión se muestra en la consola.
- Empuje la palanca de resistencia hacia abajo para aumentar el nivel de tensión.  
El nivel de tensión se muestra en la consola.

**⚠ ATENCIÓN!**

- La palanca de ajuste de la tensión también se utiliza como freno de emergencia, de modo que al empujar la palanca por encima del nivel máximo de tensión, se activará la almohadilla de fricción del freno de emergencia.

**Perilla del freno de emergencia (Fig. G-2)**

Para activar el freno de emergencia, presione a fondo y con fuerza la palanca tensora del freno.

## Cómo usar el pedal de doble función

Si tiene preguntas, le recomendamos que consulte a una tienda de bicicletas para obtener ayuda o consulte las instrucciones de su fabricante de calzado.

Cuando fije el taco, la línea central lateral deberá estar debajo del dorso del pie. Ajuste hacia delante y atrás a través de las ranuras de la suela de la zapatilla. Ajuste lateralmente a través de la holgura entre la arandela del taco y el propio taco. Apriete firmemente los tacos. La posición del taco se podrá ajustar con precisión, conforme a las preferencias personales, después de hacer una prueba. Puede que se requiera cierto tiempo para encontrar el ajuste óptimo del taco.

### **Calapiés:**

Todos los calapiés estándar se pueden agregar a los pedales. Use las instrucciones de fijación de piezas e instalación suministradas con los calapiés y asegúrese de que los tornillos de fijación están firmemente apretados antes de su uso.

### **Para usar los pedales:**

Encaje las zapatillas con tacos en los pedales colocando el taco entre las fijaciones mientras empuja hacia abajo.

Desencajelas girando el talón hacia fuera lejos de la bicicleta de ejercicio.

La tensión de la fijación se puede ajustar y se deberá ajustar de tal manera que el taco y la zapatilla no se desenganchen cuando esté pedaleando. Use una llave Allen para girar los tornillos de ajuste, a la derecha para aumentar la tensión de la fijación y a la izquierda para reducirla.

## Sustitución de las pilas (Fig E-1)

La consola está equipada con 2x AA pilas en la parte posterior de la misma.

- Retire la cubierta.
- Retire las pilas usadas.
- Inserte pilas nuevas. Asegúrese de que coincidan las marcas de polaridad (+) y (-).
- Monte la cubierta.

### **⚠ ATENCIÓN!**

- Las pilas descargadas deben reciclarse siempre según la normativa legal local para preservar el medio ambiente.

### **⚠ ADVERTENCIA**

- No exponga las pilas a grandes cambios de temperatura para evitar que se produzcan fugas.
- Para evitar fugas de las pilas, si no va a utilizar el dispositivo durante largos períodos de tiempo, sáquelas.
- Cuando introduzca varias pilas en un dispositivo, utilice siempre la misma marca, el mismo tipo y el mismo nivel de energía.

## Console (fig F-2)

### **⚠ PRECAUCIÓN**

- Mantenga la consola alejada de la luz solar directa.
- Seque la superficie de la consola cuando esté cubierta de gotas de sudor.
- No se apoye en la consola.
- Toque la pantalla únicamente con la punta del dedo. Asegúrese de no tocar la pantalla con las uñas ni objetos afilados.

### **⚠ NOTA**

- La consola pasa al modo de espera activa cuando la máquina no se usa durante 4 minutos.

## Explicación de las funciones de pantalla

### **RPM**

- Muestra las rotaciones por minuto.
- Rango: 0 ~ 188 RPM.
- Si no se transmite ninguna señal al monitor en un plazo de 4 segundos durante la sesión, en el indicador de RPM aparecerá "0"
- Cuando se detiene el entrenamiento, la pantalla cambia entre AVG y MAX:  
AVG: Las "RPM" medias durante el último entrenamiento.  
MAX: Las "RPM" máximas alcanzadas durante el último entrenamiento.

### **TIME**

- Acumula automáticamente el tiempo de ejercicio.
- Si se define un valor objetivo, se iniciará una cuenta atrás desde el tiempo objetivo hasta 0 y sonará una alarma.
- Rango de visualización: 00:00 ~ 99:59.

### **SPEED**

- Muestra la velocidad de entrenamiento actual.
- Rango 0.0 ~ 99.9 / Unidades: KM/H.
- Si no se transmite ninguna señal al monitor en un plazo de 4 segundos durante la sesión, el indicador de "Velocidad" mostrará "0".
- Cuando se detiene el entrenamiento, la pantalla cambia entre AVG y MAX:  
AVG: La "Velocidad" media durante el último entrenamiento.  
MAX: La "Velocidad" máxima alcanzada durante el último entrenamiento.

### **DIST (Distancia)**

- Si no se define un valor objetivo, la distancia se medirá en modo ascendente.
- Si se define un valor objetivo, se iniciará una cuenta atrás desde la distancia objetivo hasta 0, cuando sonará una alarma.
- Rango 0.0 ~ 99.99 / Unidades: KM.

### **KCAL (Calorías)**

- Si no se define un valor objetivo, las calorías se irán sumando.
- Si se define un valor objetivo, se iniciará una cuenta atrás desde las calorías objetivo hasta 0, cuando sonará una alarma.
- Rango: 0 ~ 9999 / Unidades: K.Cal.

### **⚠ NOTA**

- Estos datos sirven como guía para comparar distintas sesiones de ejercicio y no se pueden utilizar en tratamientos médicos

### **PULSE**

- El pulso se mostrará en la pantalla a los 6 segundos de que lo detecte la consola.
- Si no hay señal de pulso durante 6 segundos, la consola mostrará "P".
- Rango: 0-30 ~ 230 BPM.
- Cuando se detiene el entrenamiento, la pantalla cambia entre AVG y MAX:  
AVG: El "Pulso" medio durante el último entrenamiento.  
MAX: El "Pulso" máximo alcanzado durante el último entrenamiento

### **WATT**

- Muestra los vatios de entrenamiento actuales.
- Rango: 0 ~ 999

### **LOAD**

- Muestra el ajuste de nivel de tensión
- Rango: 1 ~ 32



## Explicación de los botones

### MODE

En modo de entrenamiento:

- Pulse brevemente para fijar el parámetro visualizado y manténgalo en el modo de visualización fija. El nombre del parámetro visualizado parpadeará.
- Pulse 1 vez brevemente para liberar el modo de visualización fija y activar de nuevo el modo de visualización de barrido. El nombre del parámetro mostrado se iluminará constantemente.
- Mantenga pulsado durante más de 2 segundos para reiniciar la consola y volver a poner a "0" todos los valores acumulados.

En modo de programación:

- Cambiar el parámetro para fijar el objetivo.

### SET

En modo de entrenamiento:

Sin función asignada en modo de entrenamiento, al pulsarlo la retroiluminación se encenderá y sonará un doble timbre como señal de acción no funcional.

En modo de programación:

- Fijación de los valores objetivo. Pulse 1 vez brevemente para aumentar el valor con una unidad cada vez. Manténgalo pulsado para aumentar el valor rápidamente.

### RESET

En modo de entrenamiento:

- Mantenga pulsado durante más de 2 segundos para reiniciar la consola y volver a poner a "0" todos los valores acumulados.

En modo de programación:

- Borrar y restablecer el valor del parámetro.

## Funcionamiento

### Encendido

- Pulse cualquier tecla para encender la consola cuando se está en el modo dormir.
- Empiece a pedalear para encender la consola cuando se está en el modo dormir.

### Apagado

Si no se transmite ninguna señal al monitor durante 4 minutos, el monitor entrará en el modo DORMIR automáticamente.

## Programas

### Ajuste del objetivo del entrenamiento

- Pulse la tecla MODE para alternar entre las funciones de: TIEMPO, DISTANCIA, KCAL Y PULSO.
- Utilice la tecla SET para fijar el objetivo del entrenamiento planificado. Pulse 1 vez brevemente para aumentar el valor con una unidad cada vez. Manténgalo pulsado para aumentar el valor rápidamente.
- Utilice la tecla RESET para borrar el modo objetivo visualizado.

MODO DE OBJETIVO DE TIEMPO:

- Intervalo de ajuste: 1:00 ~ 99:00
- Unidades de ajuste: 1:00 Minuto

MODO DE OBJETIVO DE DISTANCIA:

- Intervalo de ajuste: 0.0 ~ 99:5
- Unidades de ajuste: 0.5 KM

MODO DE OBJETIVO DE KCAL:

- Intervalo de ajuste: 10 ~ 9990 +10
- Unidades de ajuste: 10 Kcal.

MODO DE OBJETIVO DE PULSO:

- Intervalo de ajuste: 0 -3 0 ~ 230
- Unidades de ajuste: 1 Bpm

### !! NOTA

- Si deja un objetivo a 0, no se considerará como un objetivo.

### Función de consola en modo objetivo

- Empiece a pedalear para comenzar el entrenamiento en cualquier momento y medir los valores objetivo no configurados.
- Si se ha configurado un valor específico para un objetivo, el valor se irá descontando hasta alcanzar el objetivo.
- Cuando se alcanza el objetivo, una alarma sonará brevemente para notificar que ha alcanzado el objetivo, y el valor de ese parámetro específico seguirá contando cuando siga entrenando.
- Cuando se establece un límite de pulso, sonará una alarma cuando el pulso medido supere el límite de pulso establecido para notificar que la frecuencia cardíaca medida supera el objetivo establecido.

## Bluetooth & APP

- Esta consola puede conectarse con una App de un dispositivo móvil inteligente vía Bluetooth (iOS & Android)
- Establezca la conexión Bluetooth sólo a través del modo de conexión en la aplicación instalada en su teléfono smart.
- Cuando la consola se haya conectado al dispositivo inteligente vía Bluetooth, la consola se apagará.

### !! NOTA

- Tunturi solo ofrece la opción de conectar su consola de ejercicios físicos mediante conexión Bluetooth. Por tanto, Tunturi no se hace responsable por posibles daños o funcionamiento incorrecto de productos que no sean de la marca Tunturi.
- Consulta el sitio web para obtener información adicional

Esta consola puede recibir un transmisor de frecuencia cardíaca Bluetooth. No es necesario vincular el dispositivo, ya que la consola detectará automáticamente el transmisor de frecuencia cardíaca cuando esté dentro del rango.

## Limpieza y mantenimiento

---

El equipo requiere muy poco mantenimiento, observe las siguientes instrucciones. No será necesario recalibrar el equipo cuando se ensamble, use y repare de acuerdo con las instrucciones.

### ADVERTENCIA

- No utilice disolventes para limpiar el equipo.
- Limpie el equipo con un paño suave y absorbente después de cada uso.
- Compruebe periódicamente que todos los tornillos y tuercas estén apretados.

## Defectos y fallos

A pesar del control de calidad continuo, la máquina puede presentar defectos y fallos ebidos a piezas individuales. En la mayoría de los casos, será suficiente sustituir la pieza defectuosa.

- Si la máquina no funciona correctamente, contacte inmediatamente con su proveedor.
- Facilite al proveedor el número de modelo y el número de serie de la máquina. Indique la naturaleza del problema, las condiciones de uso y la fecha de compra.

### Solución de problemas:

- Si la pantalla LCD está oscurecida, significa que las pilas deben cambiarse.
- Si no hay señal al pedalear, por favor compruebe que el cable esté bien conectado.

### NOTA

- Al detener el entrenamiento durante 4 minutos, la pantalla principal se apagará.
- Si el ordenador presenta información anormal en pantalla, por favor vuelva a instalar las pilas y prueba de nuevo.

### Sensación inestable o inestable durante el uso

Si la máquina se siente inestable o inestable durante la operación, se recomienda ajustar los pies de apoyo para que el marco alcance la altura correcta. Lea las instrucciones en este manual en la sección: "Uso"

## Transporte y almacenamiento

---

### ADVERTENCIA

- Al menos dos personas deben transportar y mover la máquina.
- Hay que colocarse de pie delante de la máquina en cada lado y agarrar bien por los manillares. Levante la parte delantera de la máquina para poder levantar la parte trasera sobre las ruedas. Mueva la máquina y bájela con cuidado. Coloque la máquina sobre una base protectora para evitar daños en la superficie del suelo.
- Mueva la máquina con cuidado sobre superficies irregulares. No suba la máquina por las escaleras usando las ruedas; transporte la máquina por los manillares.
- Almacene la máquina en un lugar seco con la menor variación de temperatura posible.

## Garantía

---

### Garantía del propietario del equipo Tunturi

#### Condiciones de la garantía

El cliente tiene derecho a los beneficios jurídicos aplicables recogidos en la legislación nacional relativa al comercio de bienes de consumo. Esta garantía no restringe dichos beneficios. La garantía del cliente solo será válida si se utiliza el producto en un entorno autorizado por Tunturi New Fitness BV y se mantiene tal como se indica para el equipo concreto. Las instrucciones de mantenimiento y medioambientales aprobadas específicas del producto se indican en el "manual del usuario" del producto. El "manual de usuario" se puede descargar en nuestro sitio web. <http://manuals.tunturi.com>

#### Términos de la garantía

Los términos de la garantía comenzarán el día de la compra. Los términos de garantía pueden variar por país, así que consulte con su distribuidor local para ver cuáles son los términos de la garantía.

#### Cobertura de la garantía

Tunturi New Fitness BV o los distribuidores Tunturi no responderán en ninguna circunstancia a causa de esta garantía por los eventuales daños indirectos, secundarios, resultantes o especiales de ningún tipo derivados del uso o la imposibilidad de uso de este equipo.

#### Restricciones a la garantía

La garantía cubre los fallos debidos a la fabricación y los materiales en un equipo de ejercicio que esté en su ensambladura original. La garantía cubre solamente defectos que se manifiesten durante un uso normal, conforme a las instrucciones dadas en la guía suministrada con el equipo, a condición de que se hayan observado las instrucciones de montaje, mantenimiento y utilización proporcionadas por Tunturi. Tunturi New Fitness BV y los distribuidores Tunturi no pueden responder de fallos ocasionados por circunstancias ajenas a su control. La presente garantía sólo es válida para el comprador original del equipo de ejercicio y tiene vigencia solamente en los países en los que Tunturi New Fitness BV cuenta con un importador autorizado. La garantía no cubre los equipos de ejercicio o sus partes que hayan sido modificados sin el consentimiento previo de Tunturi New Fitness BV. La garantía no cubre fallos derivados del desgaste normal, de un uso indebido, de su uso en condiciones para las que el equipo no ha sido concebido, corrosión o daños sufridos durante la carga o el transporte.

La garantía no cubre los sonidos o ruidos emitidos durante el uso que no impidan de forma sustancial la utilización del equipo y que no estén provocados por un fallo del mismo

La garantía no cubre las actividades de mantenimiento tales como limpieza, lubricación o el ajuste normal de las piezas, ni los procedimientos de instalación que el cliente pueda realizar por sí mismo y que no requieran un desmontaje / montaje especial del equipo de ejercicio. Estos procedimientos son, por ejemplo, el cambio de contadores, pedales o de otras piezas simples similares. No se reembolsarán las reparaciones realizadas durante el periodo de garantía por agentes no autorizados por Tunturi. Si no se siguen adecuadamente las instrucciones dadas en el Manual del Propietario se invalidará la garantía del producto.

## Datos técnicos

Parámetro	Unidad de medición	Valor
Longitud	cm	156.0
	inch	61.4
Anchura	cm	59.0
	inch	23.2
Altura	cm	142.0
	inch	55.9
Peso	kg	53.2
	lbs	117.3
Peso máx. del usuario	kg	180
	lbs	397
Tamaño de pila	2x	AA
Medición de la frecuencia auditiva disponible a través de:	Contacto manual	No
	5.0 Khz	No
	5,3 Khz.	Sí
	Bluetooth (BLE)	No
	ANT +	No

### AVISO IMPORTANTE

La consola está equipada con un receptor de 5,3 Khz para evitar interferencias con el módulo BT integrado que funciona con una señal de frecuencia de 5,0 Khz.

Por lo tanto, no podemos garantizar que su consola pueda recibir la señal de una banda de pecho de 5,0 Khz. Aunque por nuestra experiencia es muy probable que un transmisor de frecuencia cardíaca de 5,0 Khz (correa de pecho) funcione sin problemas, no se puede garantizar.

## Declaración del fabricante

Tunturi New Fitness BV declara que el producto es conforme con las siguientes normas y directivas: EN 957 (S Class), 2014/30/EU. Por tanto, el producto dispone de marcado CE.

11-2023

Tunturi New Fitness BV  
Purmerweg 1  
1311 XE Almere  
The Netherlands

## Descargo de responsabilidad

© 2023 Tunturi New Fitness BV  
Reservados todos los derechos.

- Tanto el producto como el manual están sujetos a modificaciones.
- Las modificaciones se pueden cambiar sin aviso.
- Consulte nuestra página web para descargar la versión del manual de usuario más reciente.

## På svenska

Denna handbok är en översättning av den engelska texten. Vi förbehåller oss rätten till eventuella översättningsfel. Den engelska originaltexten råder.

## Index

<b>Välkommen</b> .....	<b>60</b>
<b>Säkerhetsvarningar</b> .....	<b>60</b>
<b>Monteringsanvisningar</b> .....	<b>61</b>
Beskrivning illustration A.....	61
Beskrivning illustration B.....	61
Beskrivning illustration C.....	61
Beskrivning illustration D.....	61
Ytterligare monteringsinformation .....	61
Ytterligare miljö- information .....	61
Fritt träningsutrymme (Fig. D-0).....	61
<b>Träning</b> .....	<b>61</b>
Övning Instruktioner.....	61
Hjärtfrekvens .....	62
<b>Användning</b> .....	<b>63</b>
Justera stödfötterna.....	63
Justera sadeln i sidled.....	63
Ställa in vertikalt sadelläge.....	63
Justera styrets horisontella läge.....	63
Justera styrets höjd .....	63
Justera motstånd (bild G-1).....	63
Nödstoppsknapp (bild G-2) .....	63
Så här använder du pedalerna i ett av två möjliga.....	63
Byta ut batterier (Fig E-1).....	63
<b>Panel (fig F-2)</b> .....	<b>64</b>
Funktioner och användning.....	64
Förklaring av knappar.....	64
Manövrering .....	64
Programs [Program].....	65
<b>Rengöring och underhåll</b> .....	<b>65</b>
Fel och funktionsstörningar.....	65
<b>Transport och lagring</b> .....	<b>65</b>
<b>Garanti</b> .....	<b>66</b>
<b>Teknisk information</b> .....	<b>66</b>
<b>Försäkran från tillverkaren</b> .....	<b>66</b>
<b>Friskrivning</b> .....	<b>66</b>

## Välkommen

Välkommen till Tunturi Fitness värld!

Tack för att du köpte denna utrustning från Tunturi. Tunturi erbjuder ett stort utbud av professionell träningsutrustning, exempelvis crosstrainers, löpband, träningscyklar, roddmaskiner, styrka bänkar och flera stationer. Utrustning från Tunturi passar hela familjen, oavsett träningsnivå. Mer information finns på vår webbplats, [www.tunturi.com](http://www.tunturi.com)

### Viktiga instruktioner om säkerhet

Läs noga igenom denna handbok innan du monterar,, använder eller reparerar ditt nya träningsredskap. Spara denna handbok; den innehåller information som du behöver nu och i framtiden för att använda och underhålla ditt redskap. Följ alltid dessa instruktioner noggrant.

## Säkerhetsvarningar

### ⚠ VARNING

- Läs säkerhetsvarningarna och instruktionerna. Om inte säkerhetsvarningarna och instruktionerna följs kan det medföra skador på personer eller utrustningen. Behåll säkerhetsvarningarna och instruktionerna för framtida bruk.

### ⚠ VARNING

- System för övervakning av hjärtfrekvensen är inte alltid exakta. Överträning kan medföra allvarlig skada eller död. Sluta omedelbart att träna om du känner dig svag.

- Utrustningen är lämplig för hemmet och för professionellt bruk (t.ex. sjukhus, brandstationer, hotell, skolor etc.).
- Om utrustningen används av barn eller personer med fysiska, sensoriska, mentala eller motoriska handikapp, eller som saknar erfarenhet och kunskap, kan detta medföra risker. Personer som är ansvariga för deras säkerhet måste ge tydliga instruktioner, eller övervaka användningen av utrustningen.
- Innan du påbörjar din träning, uppsök en läkare som kan kontrollera din hälsa.
- Om du upplever illamående, yrsel eller andra onormala symptom, avsluta genast din träning och kontakta en läkare.
- Börja varje träningspass med att värma upp och avsluta varje träningspass med nedvarning för att undvika muskelsmärter och sträckningar. Kom ihåg att stretcha i slutet av träningen.
- Utrustningen är endast anpassad för användning inomhus. Utrustningen är inte anpassad för användning utomhus.
- Använd endast utrustningen i miljöer med god ventilation. Använd inte utrustningen i dragiga miljöer för att undvika att bli förkyld.
- Använd endast utrustningen i miljöer med temperatur mellan 10°C~35°C/ 50°F~95°F. Förvara endast utrustningen i miljöer med temperatur mellan 5°C~45°C/ 41°F~113°F.
- Använd inte och förvara inte utrustningen i fuktig miljö. Luftfuktigheten får aldrig överstiga 80%.
- Använd endast utrustningen för dess avsedda ändamål. Använd inte utrustningen för andra ändamål än de som beskrivs i handboken.
- Använd inte den här utrustningen om någon del är trasig eller skadad. Om någon del är trasig eller skadad, kontakta din återförsäljare.
- Håll undan händer, fötter och andra kroppsdelar från de rörliga delarna.
- Håll undan håret från de rörliga delarna.
- Bär passande kläder och skor.
- Håll undan kläder, smycken och andra föremål från de rörliga delarna.

- Låt bara en person åt gången använda utrustningen. Utrustningen får inte användas av personer som väger mer än 180kg (397 lbs).
- Öppna inte utrustningen utan att kontakta din återförsäljare.

## Monteringsanvisningar

### Beskrivning illustration A

På illustrationen kan du se hur träningsredskapet ska se ut efter att monteringen har slutförts.

Du kan använda illustrationen som referens under monteringen, men följ alltid stegen i monteringsinstruktionerna i rätt ordning.

### Beskrivning illustration B

På illustrationen kan du se vilka komponenter och delar som du ska hitta när du packar upp produkten.

#### ⚠ OBS!

- Små delar kan ligga gömda/vara nedpackade i ihåliga utrymmen i produktskyddet av polystyren.

### Beskrivning illustration C

På illustrationen visas de monteringsdelar som följer med produkten. Monteringsdelarna omfattar bultar, brickor, skruvar, muttrar etc. och de verktyg du behöver för att kunna montera träningsredskapet korrekt.

### Beskrivning illustration D

På illustrationerna visas i rätt ordning hur träningsredskapet ska mon

#### ⚠ VARNING

- Montera utrustningen i angiven ordning.
- Var två om att bära och förflytta utrustningen.

#### ⚠ OBS.

- Placera utrustningen på en stabil och jämn yta.
- Placera utrustningen på en skyddande grund för att förhindra att golvet skadas.
- Illustrationerna visar det korrekta sättet att montera utrustningen.

## Ytterligare monteringsinformation

### D5 Hur ska pedalerna sättas fast korrekt.

#### ⚠ OBS!

- Höger och vänster anges sett utifrån hur du sitter när du tränar.

### Högra pedalen

Leta efter markeringen "R" eller "L" på pedalaxeln

- Fäst den högra pedalen "R" på det högra vevpartiet.
- Vrid först pedalaxeln medurs för hand.
- Använd skiftnyckeln för att dra fast pedalen ordentligt.

### Vänstra pedalen

- Fäst den vänstra pedalen "L" på det vänstra vevpartiet.
- Vrid först pedalaxeln moturs för hand.
- Använd skiftnyckeln för att dra fast pedalen ordentligt.



Klicka för att se vår stödande YouTube-video  
<https://youtu.be/3BiN9mc5Tmw?t=101>

#### ⚠ ANMÄRKNING

- Spara verktygen som följer med denna produkt när monteringen är klar så att du kan använda dem för framtida servicearbeten.

## Ytterligare miljö- information

### Bortskaffande av förpackning

Riktlinjer från myndigheter uppmanar att vi minskar mängden avfall som placeras i deponier. Vi ber dig därför att bortskaffa allt förpackningsavfall på ett ansvarsfullt sätt på allmänna återvinningscentraler.

### Bortskaffande av uttjänt redskap

Vi på Tunturi hoppas att du får många års trevlig användning av ditt träningsredskap. Men det kommer en tid när ditt träningsredskap är uttjänt. Enligt den europeiska WEEE-lagstiftningen, ansvarar du för korrekt bortskaffande av ditt träningsredskap på en allmän återvinningsanläggning.

### Fritt träningsutrymme (Fig. D-0)

#### Framsidan av utrustningen

Se till så att det finns minst 30 cm fritt utrymme framför utrustningen.

- Det fria träningsutrymmet för denna del kan delas med annan utrustning av samma slag genom att placera dem vända mot varandra.

#### Sidan av utrustningen.

Se till så att det finns minst 60 cm fritt utrymme på varje sida av utrustningen.

- Det fria träningsutrymmet för denna del kan delas med annan utrustning av samma slag genom att placera dem vända mot varandra.

#### Baksidan av utrustningen

Se till så att det finns minst 200 cm fritt utrymme bakom utrustningen.

- Det fria träningsutrymmet för denna del kan inte delas med annan utrustning av samma slag. Det extra lediga utrymmet som krävs beror på orienteringen av utrustningarna och bör vara summan av båda värdena.

## Träning

Träningen måste vara lagom lätt, men hålla på länge. Aerobisk träning är till för att förbättra kroppens maximala syreupptag, vilket förbättrar uthålligheten och konditionen. Du ska svettas, men du ska inte bli andfådd under träningen. För att uppnå och behålla en grundkondition, träna åtminstone tre gånger i veckan, 30 minuter åt gången. Öka antalet träningspass för att förbättra din kondition. Det är bra att kombinera regelbunden träning med hälsosam kost. En person som har bestämt sig för att banta bör träna dagligen, 30 minuter eller mindre till en början och sedan öka den dagliga träningstiden till en timme. Börja din träning i låg hastighet och med lågt motstånd för att förhindra att hjärtkärlsystemet utsätts för kraftig belastning. När konditionen förbättras, kan hastigheten och motståndet ökas gradvis. Din tränings effektivitet kan mätas genom att kontrollera din hjärtfrekvens och din puls.

### Övning Instruktioner

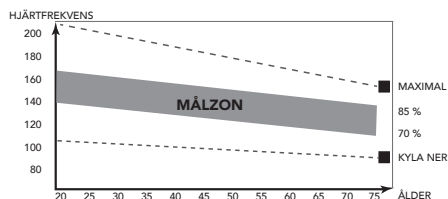
Användningen av ditt träningsredskap kommer att ge dig många fördelar; det kommer att förbättra din fysiska kondition, tona musklerna och tillsammans med en kalorikontrollerad diet hjälpa dig att gå ned i vikt.

## Uppvärmningsfasen

Denna fas får blodet att börja pumpa runt i kroppen och förbereder musklerna på aktivitet. Den minskar även risken för kramp och muskelskada. Det är tillrådligt att göra några stretchövningar som visas nedan. Varje stretchövning ska hållas i ungefär 30 sekunder. Tvinga eller tryck inte in musklerna i en stretchövning. Om det gör ont, SLUTA

## Träningsfasen

Detta är fasen där du jobbar. Efter regelbunden användning, kommer musklerna i dina ben att bli mer flexibla. I denna fas är det mycket viktigt att bibehålla ett jämnt tempo från början till slut. Ansträngningsnivån ska vara tillräcklig för att höja din puls till målzonen som visas i nedanstående figur



Denna fas bör pågå i minst 12 minuter, även om de flesta börjar med ungefär 15-20 minuter.

## Nedvarningsfasen

Under denna fas får ditt kardiovaskulära system och dina muskler varva ned.

Den är en upprepning av uppvärmningsövningen, t.ex. minska ditt tempo, fortsatt i ca 5 minuter. Stretchövningarna ska nu upprepas. Kom ihåg att inte tvinga eller trycka in musklerna i stretchövningen. När du blir mer vältränad, kan du träna längre och hårdare. Vi rekommenderar att träna minst tre gånger i veckan, och, om möjligt, fördela dina träningsstillfällen jämnt under hela veckan.

## Muskeltoning

För att tona musklerna när du använder träningsredskapet, måste du ställa in en ganska hög belastning. Detta belastar benmusklerna mer och kan innebära att du inte kan träna så länge som du vill. Om du även försöker förbättra din kondition, måste du ändra ditt träningsprogram. Du bör träna som vanligt under uppvärmnings- och nedvarningsfaserna, men mot slutet av träningsfasen kan du öka belastningen så att dina ben får jobba hårdare. Du måste minska hastigheten för att hålla pulsen i målzonen.

## Viktminskning

Den viktigaste faktorn här är hur mycket du anstränger dig. Ju hårdare och längre du tränar, desto fler kalorier bränner du. Detta är i princip detsamma som om du tränade för att förbättra din kondition, skillnaden är målet.

## Hjärtfrekvens

### Hjärtfrekvensmätning (pulsbälte)

#### ANMÄRKNING

- Ett bröstband är inte standard med denna tränare. När du gillar att använda ett trådlöst bröstband måste du köpa detta som tillbehör.

Den mest exakta mätningen av hjärtfrekvensen uppnås med ett pulsband. Hjärtfrekvensen mäts av en hjärtfrekvensmottagare i kombination med ett pulsband med sändare. Korrekt pulsmätning kräver att elektroderna på sändarbandet är en aning fuktiga och i ständig kontakt med skinnet. Om elektroderna är för torra eller för fuktiga kan pulsmätningen bli mindre exakt.

#### ⚠ VARNING

- Kontakta en läkare innan du använder ett pulsband om du har pacemaker.

#### ⚠ OBS.

- Om det finns flera enheter för hjärtfrekvensmätning bredvid varandra, kontrollera att avståndet mellan dem är minst 2 meter.
- Om det bara finns en hjärtfrekvensmottagare och flera hjärtfrekvenssändare, kontrollera att bara en person med sändare är inom mottagningsområdet.

#### ⚠ ANMÄRKNING

- Bär alltid pulsbandet under dina kläder, i direktkontakt med huden. Bär inte pulsbandet utanpå kläderna. Om du bär pulsbandet utanpå kläderna kommer det inte att bli någon signal.
- Om du har ställt in en begränsning av hjärtfrekvensen för din träning, kommer ett larm att ljuda när den överskrids.
- Sändaren sänder hjärtfrekvensen till panelen upp till ett avstånd på 1,5 meter. Om elektroderna inte är fuktiga, kommer inte hjärtfrekvensen att visas på displayen.
- Vissa klädfibrer (t.ex. polyester eller polyamid) skapar statisk elektricitet som kan förhindra en korrekt mätning av hjärtfrekvensen.
- Mobiltelefoner, tv-apparater och andra elektriska apparater skapar ett elektromagnetiskt fält som kan förhindra en korrekt mätning av hjärtfrekvensen.

### Maximal hjärtfrekvens (under träning)

Den maximala hjärtfrekvensen är den högsta hjärtfrekvens en person säkert kan få vid träning. Följande formel används för att beräkna den genomsnittliga maximala hjärtfrekvensen:  $220 - \text{ÅLDER}$ . Den maximala hjärtfrekvensen varierar från person till person.

#### ⚠ VARNING

- Kontrollera att du inte överskrider din maximala hjärtfrekvens under din träning. Kontakta en läkare om du tillhör en riskgrupp.

### Nybörjarnivå

#### 50-60% av den maximala hjärtfrekvensen

Passar nybörjare, viktvaktare, konvalescenter och personer som inte har tränat på länge. Träna åtminstone tre gånger i veckan, 30 minuter åt gången.

### Avanceradnivå

#### 60-70% av den maximala hjärtfrekvensen

Passar personer som vill förbättra och underhålla konditionen. Träna åtminstone tre gånger i veckan, 30 minuter åt gången.

### Expert

#### 70-80% av den maximala hjärtfrekvensen

Passar de mest vältränade, som är vana vid långa och tunga träningspass.

## Användning

### Justera stödfötterna

Utrustningen är utrustad med justerbara stödfötter.

Om utrustningen känns instabil, ranglig eller inte är korrekt planad, kan dessa stödfötter justeras för att göra nödvändiga korrigeringar.

- Vrid stödfötterna inåt/utåt efter behov för att placera utrustningen i ett stabilt och så plant läge som möjligt. )
- Dra åt låsmuttrarna\* för att låsa stödfötterna.

#### OBS

- Utrustningen är mest stabil när den är så nära golvet som möjligt. Börja därför att plana ut utrustningen genom att vrida alla stödfötter helt inåt innan du vrider utåt de stödfötter som krävs för att stabilisera och plana ut utrustningen.



Klicka för att se vår stödjande YouTube-video  
<https://youtu.be/3BiN9mc5Tmw?t=535>

### Justera sadeln i sidled

Sadelns position kan justeras i sidled genom att ställa in sadeln i önskat läge. (Fig. E-2)

- Lossa sadelröret genom att vrida snabbkopplingsspaken medurs.
- Flytta sadeln till önskad position.
- Dra åt sadelröret genom att vrida snabbkopplingsspaken medurs.

#### OBS!

- Snabbkopplingsspaken är fjäderbelastad. För att återställa spakens läge kan du dra ner spaken, flytta den och släppa den igen.

### Ställa in vertikalt sadelläge

Det vertikala sadelläget kan ställas in genom att placera sadelstängens i önskat läge. (Fig. E-2)

Med benet nästan rakt måste fotvalvet vidröra pedalen på dess lägsta punkt.

- Lossa vredet för justering av sadelstängens.
- Flytta sadelstängens till önskat läge.
- Drag åt vredet för justering av sadelstängens.

### Justera styrets horisontella läge

Styrets horisontella läge kan justeras genom att ställa in det längre bort från eller närmare användaren i önskat läge. (Fig. E-2)

- Lossa styrets fästram genom att vrida snabbkopplingsspaken medurs.
- Flytta styrets fästram till önskad position.
- Dra åt styrets fästram genom att vrida snabbkopplingsspaken medurs.

#### OBS!

- Snabbkopplingsspaken är fjäderbelastad. För att återställa spakens läge kan du dra ner spaken, flytta den och släppa den igen.

### Justera styrets höjd

Styrets höjd kan justeras efter användarens längd för att få bästa höjd och träningsposition för användaren. (Fig. E-2)

- Stöd styret innan du lossar styrets justeringsvred. Lossa vredet genom att vrida det 2 hela varv moturs och dra ut den fjäderbelastade knoppen.
- Håll den fjäderbelastade knoppen utdragen och flytta styret till önskat läge.
- Vid önskad höjd, släpp den fjäderbelastade knoppen och flytta styret något upp/ned för att säkerställa att den fjäderbelastade knoppen hamnar i det fasta fixeringsläget.
- Dra åt styrets justeringsvred ordentligt genom att vrida det medurs.

### Justera motstånd (bild G-1)

Motståndet kan justeras för att intensifiera eller underlätta träningen.

- Dra motståndsspaken uppåt för att minska spänningsnivån. Spänningsnivån visas på konsolen.
- Tryck motståndsspaken nedåt för att öka spänningsnivån. Spänningsnivån visas på konsolen.

#### OBS!

- Spaken för spänningsjustering används också som ett nödstopp, så när du trycker spaken över den maximala spänningsnivån aktiveras nödstoppets friktionsplatta.

### Nödstoppknapp (bild G-2)

För att aktivera nödbromsen, tryck ner bromsspänningsspaken ordentligt.

### Så här använder du pedalerna i ett av två möjliga

För närmare beskrivning rekommenderas att rådfråga en återförsäljare eller läsa instruktionerna som kom med dina cykelskor.

När du klickar fast skorna på pedalerna ska pedalens mittlinje och mitten på fotens trampdyna vara i linje. Detta kan justeras i längdriktningen falsen i skosulan. Justera i längdriktningen med spelrummet i klämman. Spänn fast spännena ordentligt. Spännespositionen kan med fördel finjusteras efter hand. Det kan ta ett tag innan du hittat den perfekta positionen.

#### Tåclips:

Alls standard tåclips kan fästas på pedalerna. Använd monteringsmaterial och installationsinstruktionerna som kom med tåclipsen och se till att se sitter fast ordentligt innan du använder dem.

#### Använda pedalerna:

Klicka fast cykelskorna i bindningarna och tryck ned. Koppla ur genom att vrida hälen utåt från cykeln. Bindningsspänningen är justerbar och måste vara tillräcklig så att skon inte kan lossna från pedalen under cyklingen. Använd en insexnyckel och vrid medurs för att öka spänningen och motsols för att minska spänningen.

### Byta ut batterier (Fig E-1)

Panelen är utrustad med 2x AA -batterier på panelens baksida.

- Avlägsna luckan.
- Avlägsna de gamla batterierna.
- Sätt i de nya batterierna. Försäkra dig om att batterierna är rätt placerade mot (+) och (-) polerna.
- Montera luckan.

### ⚠ OBS

- Använda batterier ska alltid återvinnas enligt lokala lagar för att bevara miljön.

### ⚠ VARNING

- För att förhindra batteriläckage, utsätt inte batterierna för stora temperaturförändringar.
- För att förhindra batteriläckage, ta ut dem om du planerar att inte använda din enhet under längre perioder.
- När du sätter i flera batterier i en enhet, använd alltid samma märke, samma typ och samma energinivå.

## Panel (fig F-2)

### ⚠ OBS

- Skydda panelen från direkt solljus.
- Torka av panelens yta när den är täckt av svett droppar.
- Luta dig inte mot panelen.
- Vidrör endast displayen med din fingertopp. Var noga med att inte dina naglar eller vassa föremål vidrör displayen.

### ⚠ ANMÄRKNING

- Panelen övergår till viloläge när utrustningen inte har använts på 4 minuter.

## Funktioner och användning

### RPM [VARV PER MINUT]

- Visa varv per minut.
- Intervall: 0~188 RPM.
- Om inte någon larmsignal under träningspasset skickas till manöverpanelen inom 4 sek, visar RPM värdet "0"
- När träningen stoppas söker displayen mellan AVG och MAX där:  
AVG: Genomsnittligt "RPM" under ditt senaste träningspass.  
MAX: Högsta "RPM" under ditt senaste träningspass.

### TIME [TID]

- Sparar träningstid automatiskt när du tränar.
- När målvärde ställs in, räknas tiden neråt från ditt målvärde till 0, då en larmsignal ljuder.
- Visningsintervall: 00:00~99:59.

### SPEED [HASTIGHET]

- Visar aktuell träningshastighet.
- Intervall 0,0-0~99,9/Enheter: KM/H.
- Om inte någon larmsignal under träningspasset skickas till manöverpanelen inom 4 sek, visar "Speed" värdet "0".
- När träningen stoppas söker displayen mellan AVG och MAX där:  
AVG: Genomsnittlig "hastighet" under ditt senaste träningspass.  
MAX: Högsta "hastighet" under ditt senaste träningspass.

### DIST Distance [Avstånd]

- Om inget målvärde är inställt räknas avståndet uppåt.
- När målvärde ställs in, räknas avståndet ned från ditt målavstånd till 0, då en larmsignal ljuder.
- Intervall 0,0-0~99,99/Enheter: KM.

### KCAL Calories [Kalorier]

- Om inget målvärde är inställt räknas kalorierna uppåt.
- När målvärde ställs in, räknas kalorierna ned från ditt kalorimål till 0, då en larmsignal ljuder.
- Intervall: 0~9 999/Enheter: K.Cal.

### ⚠ OBS

- Dessa data är en grov vägledning för att jämföra olika träningspass och kan inte användas för medicinsk behandling.

### PULSE [PULS]

- Aktuell puls visas efter 6 sek när konsolen känt av den.
- Utan någon pulssignal i 6 sekunder visar konsolen "P".
- Intervall: 0-30~230 BPM.
- När träningen stoppas söker displayen mellan AVG och MAX där:  
AVG: Genomsnittlig "puls" under ditt senaste träningspass.  
MAX: Högsta "puls" under ditt senaste träningspass.

### WATT

- Visa aktuell träningswatt.
- Intervall: 0~999

### LOAD [BELASTNING]

- Visar inställd spänningsnivå.
- Intervall: 1~32

## Förklaring av knappar

### MODE [LÄGE]

I träningsläge:

- Tryck snabbt för att fästa den visade parametern och behålla parametern i fast visat läge.  
Parameternamnet blinkar på skärmen.
- Tryck snabbt en gång för att släppa det fasta visningsläget och aktivera sökläget igen.  
Det visade parameternamnet lyser konstant
- Håll in i mer än två sekunder för att starta om konsolen och ställa in alla samlade värden på "0" igen.

I programmeringsläge:

- Ändra parameter för att ställa in mål för ...

### SET [STÄLLA IN]

I träningsläge:

Ingen tilldelad funktion i träningsläge, när den trycks ned tänds bakgrundsbelysningen och en dubbel ljudsignal hörs som ett tecken på att åtgärden inte fungerar.

I programmeringsläge:

- Ställa in målvärden.  
Tryck snabbt en gång för att öka värdet med en enhet i taget.  
Håll in för att öka värdet snabbt.

### RESET [ÅTERSTÄLL]

I träningsläge:

- Håll in i mer än två sekunder för att starta om konsolen och ställa in alla samlade värden på "0" igen.

I programmeringsläge:

- Rensa och återställ parametervärde.

## Manövrering

### Ström på

- Tryck på valfri knapp för att sätta på strömmen om enheten befinner sig i läget SLEEP.
- Börja trampa för att sätta på panelen om den befinner sig i viloläget.

### Ström av

Om ingen signal har överförts till monitorn inom 4 minuter kommer monitorn att gå till läget SLEEP automatiskt.



## Programs [Program]

### Inställning av träningsmål

- Tryck på MODE-knappen för att växla mellan funktionerna för: TID, STRÄCKA, KCAL OCH PULS.
- Använd SET-knappen för att ställa in målet för ditt planerade träningspass.  
Tryck snabbt en gång för att öka värdet med en enhet i taget. Håll in för att öka värdet snabbt.
- Använd RESET-knappen för att rensa det visade målläget.

#### LÄGET FÖR TIDSMÅL:

- Inställningens intervall: 1:00~99:00
- Inställningsenheter: 1:00 minut

#### LÄGET FÖR AVSTÅNDSMÅL:

- Inställningens intervall: 0.0~99:5
- Inställningsenheter: 0,5 KM

#### LÄGET FÖR KALORIMÅL:

- Inställningens intervall: 10~9 990 +10
- Inställningsenheter: 10 kcal.

#### LÄGET FÖR PULSMÅL:

- Inställningens intervall: 0~3 0~230
- Inställningsenheter: 1 bpm

### !! OBS

- Om du ställer in en målinställning som 0 så kommer det inte att registreras som ett mål.

### Konsolfunktion i målläge

- Börja trampa för att inleda träningspasset när som helst så kommer ej-inställda målvärden att aktiveras.
- Om ett mål ställts in för ett specifikt värde så kommer värdet att räknas ner tills målet nås.
- När målet nås kommer ett pipjud strax att höras för att meddela att du nått ditt mål och det specifika parametervärdet fortsätter att räkna uppåt när du fortsätter att träna.
- När en pulsgräns ställts in hörs ett pipjud när den uppmätta pulsen överskrider den inställda pulsgränsen, för att meddela att din uppmätta puls är över det inställda målet.

#### Bluetooth & APP

- Denna panel kan ansluta APP (Fit Hi Way) på den smarta enheten med Bluetooth. (iOS & Android).
- Upprätta Bluetooth-anslutningen endast via anslutningsläget på den installerade APP-enheten på din smarta enhet.
- När panelen har anslutits till den smarta enheten via Bluetooth stängs strömmen på panelen av.

### !! OBS

- Tunturi ger dig endast möjligheten att ansluta din träningspanel med en Bluetooth-anslutning. Därför bär Tunturi inget ansvar för skador eller felfunktioner som uppstår på andra produkter än Tunturi-produkter.
- Kolla webbplatsen för extra information.

Denna konsol kan ta emot en Bluetooth-pulssändare. Det finns inget behov av att para ihop enheten eftersom konsolen automatiskt kommer att upptäcka pulssändaren när den är inom räckvidden.

## Rengöring och underhåll

Utrustningen kräver mycket lite underhåll, följ instruktionerna nedan. Utrustningen kräver ingen omkalibrering när den monteras, används och underhålls enligt instruktionerna.

### ⚠ VARNING

- Använd inte lösningsmedel för att rengöra utrustningen.
- Rengör utrustningen med en mjuk, absorberande trasa efter varje användning.
- Kontrollera regelbundet att alla skruvar och muttrar är åtdragna.

### Fel och funktionsstörningar

Trots ständig kvalitetskontroller, kan fel och funktionsstörningar inträffa som orsakas av enstaka delar. I de flesta fallen räcker det med att byta ut den felaktiga delen.

- Om utrustningen inte fungerar korrekt, kontakta omedelbart återförsäljaren.
- Lämna utrustningens modellnummer och serienummer till återförsäljaren. Ange problemets art, förhållanden vid användning och inköpsdatum.

### Felsökning:

- Om LCD-displayen lyser svagt betyder det att batteriet måste bytas ut.
- Om det inte kommer någon signal när du trampar måste du kontrollera om kabeln sitter i riktigt.

### !! OBS!

- Om träningen stoppas i 4 minuter sloknar huvudskärmen.
- Om datorn uppvisar onormala värden, sätt i batteriet på nytt och försök igen.

### Skakig eller instabil känsla under användning

Om maskinen känns instabil eller instabil under drift, är det lämpligt att justera stödfötterna för att få rammen till rätt höjd. Läs anvisningarna i den här handboken i avsnittet: "Användning"

## Transport och lagring

### ⚠ VARNING

- Var två om att bära och förflytta utrustningen.

- Stå framför utrustningen på vardera sidan och ta ett fast grepp i handtagen. Lyft utrustningens framsida så att baksidan lyfts på hjulen. Förflytta utrustningen och sätt ner den försiktigt. Placera utrustningen på en skyddande grund för att förhindra att golvet skadas.
- Förflytta utrustningen försiktigt över ojämna ytor. Förflytta inte utrustningen till övervåningen med hjulen, utan bär utrustningen med handtagen.
- Förvara utrustningen på en torr plats med så liten temperaturvariation som möjligt.

## Garanti

### Tunturis ágargarantitunt

#### Garantivillkor

Konsumenten har rätt till tillämpliga lagliga rättigheter som anges i den nationella lagstiftningen om handel med konsumentvaror. Denna garanti begränsar inte dessa rättigheter. Köparens garanti är endast giltig om produkten används i en miljö som är godkänd av Tunturi New Fitness BV och underhålls enligt instruktionerna för den specifika utrustningen. Den produktspecifika godkända miljön och underhållsinstruktionerna anges i produktens "användarhandbok". "Användarhandboken" kan laddas ned från vår webbplats. <http://manuals.tunturi.com>

#### Garantivillkor

Garantivillkoren börjar att gälla från inköpsdatumet. Garantivillkoren kan variera mellan olika länder. Kontakta en lokal återförsäljare om garantivillkoren.

#### Garantins omfattning

Oavsett omständigheter, ansvarar inte Tunturi New Fitness BV eller Tunturis återförsäljare för uppkomna personskador som påverkar köparen, och som innebär inkomstförlust eller andra ekonomiska följdverkningar.

#### Gegränsningar i garantin

Garantin gäller för arbets- och materialfel, förutsatt att redskapet är i originalmonterat skick. Garantin gäller endast fel som uppstår vid normalt bruk och då den använts enligt Tunturis instruktioner gällande montering, skötsel och användning. Tunturi New Fitness BV och Tunturis återförsäljare ansvarar ej för fel som uppkommer utanför deras kontroll.

Garantin gäller endast redskapets ursprungliga ägare och är gällande endast i de länder där det finns en godkänd Tunturi New Fitness BV återförsäljare.

Garantin gäller ej för redskap eller delar som har ändrats utan Tunturi New Fitness BV:s godkännande. Garantin gäller ej för fel som beror på normalt slitage, felaktig användning, användning i förhållanden som inte är avsett för redskapet, korrosion eller lastnings- och transportskador.

Garantin täcker inte ljud som uppstår under användning såvida dessa inte väsentligt hindrar utrustningens användning eller har orsakats av ett fel i utrustningen.

Garantin gäller inte för underhållsarbete, som rengöring, smörjning eller normal kontroll av komponenterna och inte heller för monteringsarbete som kunden själv kan göra och som inte kräver att redskapet plockas isär/sätts ihop. Det gäller till exempel byte av mätare, trampor eller andra motsvarande enkla delar.

Garantireparationer utförda av andra än en godkänd Tunturi-representant, ersätts inte. Ifall instruktionerna i manualen inte följs upphävs produktens garanti.

## Teknisk information

Parameter	Måttenhet	Värde
Längd	cm	156.0
	inch	61.4
Bredd	cm	59.0
	inch	23.2
Höjd	cm	142.0
	inch	55.9
Vikt	kg	53.2
	lbs	117.3
Max användarvikt	kg	180
	lbs	397
Batteristorlek	2x	AA
Hjärtfrekvensmätning tillgänglig via:	Handgrepps kontakt	Nej
	5,0 Khz	Nej
	5,3 kHz.	Ja
	Bluetooth (BLE)	Nej
	ANT+	Nej

### VIKTIGT MEDDELANDE

Konsolen är utrustad med en 5,3 Khz-mottagare för att förhindra störningar med den inbyggda BT-modulen som fungerar på frekvenssignalen 5,0 Khz.

Därför kan vi inte garantera att en 5,0 Khz-bröstrem kan avläsas av din konsol. Enligt vår erfarenhet kommer en 5,0 Khz-pulssändare (bröstrem) troligen att fungera utan problem, men det kan inte garanteras.

## Försäkran från tillverkaren

Tunturi New Fitness BV försäkrar att produkten uppfyller följande standarder och direktiv:

EN 957 (S Class), 2014/30/EU. Produkten är därför CE-märkt.

11-2023

Tunturi New Fitness BV  
Purmerweg 1  
1311 XE Almere  
Nederländerna

## Friskrivning

© 2023 Tunturi New Fitness BV  
Alla rättigheter förbehållna.

- Produkten och handboken kan komma att ändras.
- Specifikationer kan ändras utan förvarning.
- På vår webbplats finns den senaste bruksanvisningen.

**Suomeksi**

Tämä suomennettu käyttöohje on käännetty Englannin kielestä. Pidätämme oikeudet mahdollisiin käännösvirheisiin. Käännös tehty virallisen, englanninkielisen version pohjalta.

**Sisältö**

<b>Tervetuloa.....</b>	<b>67</b>
<b>Turvallisuusvaroitukset .....</b>	<b>67</b>
<b>Kokoamisohjeet.....</b>	<b>68</b>
Kuvan A kuvaus .....	68
Kuvan B kuvaus .....	68
Kuvan C kuvaus .....	68
Kuvan D kuvaus .....	68
Asennusta koskevia lisätietoja .....	68
Lisätietoja ympäristöstä.....	68
Vapaa harjoitusalue (kuva D-0).....	68
<b>Harjoitukset.....</b>	<b>68</b>
Ohjeita harjoittelua varten .....	68
Syke.....	69
<b>Käyttö.....</b>	<b>69</b>
Tukijalkojen säätö .....	69
Istuimen säätäminen vaakasuunnassa .....	70
Istuimen säätö pystysuunnassa .....	70
Ohjaustangon säätäminen vaakasuunnassa .....	70
Ohjaustangon korkeuden säätö .....	70
Vastuksen säätö (kuva G-1).....	70
Hätäkatkaisun nappi (kuva G-2).....	70
Kaksitoimisten poljinten käyttö .....	70
Paristojen vaihto (Kuva E-1).....	70
<b>Ohjauspaneeli (kuva. F-2) .....</b>	<b>71</b>
Toiminnot .....	71
Painikkeiden selitykset .....	71
Toiminta.....	71
Ohjelmat .....	72
<b>Puhdistus ja huolto .....</b>	<b>72</b>
Viat ja häiriöt .....	72
<b>Kuljetus ja säilytys .....</b>	<b>72</b>
<b>Takuu .....</b>	<b>73</b>
<b>Tekniset tiedot.....</b>	<b>73</b>
<b>Valmistajan vakuutus .....</b>	<b>73</b>
<b>Vastuuvapauslauseke.....</b>	<b>73</b>

**Tervetuloa**

Tervetuloa Tunturi Fitness -maailmaan!

Kiitämme sinua tämän Tunturi-laitteen ostosta. Tunturi tarjoaa laajan valikoiman ammattimaisia kuntoilulaitteita, mukaan lukien crosstrainerit, juoksumatot, kuntopyörät, soutu-laitteet, voimapenkit ja moniasemat.

Tunturi-laite sopii koko perheelle kuntotasosta riippumatta. Katso lisätiedot verkkosivuiltamme [www.tunturi.com](http://www.tunturi.com)

**Tärkeitä turvallisuusohjeita**

Tämä opas on olennainen osa kuntolaitettasi. Perehdy ohjeisiin huolellisesti ennen kuin asennat, käytät tai huollat kuntolaitettasi. Sinun tulee ehdottomasti säilyttää tämä opas, sillä jatkossa se opastaa Sinua niin kuntolaitteesi tehokkaaseen käyttöön kuin huoltoonkin. Muista aina noudattaa tämän oppaan ohjeita.

**Turvallisuusvaroitukset****⚠ VAROITUS**

- Lue turvallisuusvaroitukset ja -ohjeet. Turvallisuusvaroitusten ja -ohjeiden jättäminen noudattamatta voi aiheuttaa henkilön loukkaantumisen tai laitevaurion. Säilytä turvallisuusvaroitukset ja -ohjeet myöhempää käyttöä varten.

**⚠ VAROITUS**

- Sykkeenvalvontajärjestelmät saattavat olla epätarkkoja. Liiallinen harjoittelu saattaa aiheuttaa vakavia vammoja tai kuoleman. Jos tunnet olosi heikoksi, lopeta harjoittelu heti.

- Tämä laite soveltuu sekä koti- että ammattikäyttöön (esim. sairaaloihin, paloasemille, hotelleihin, kouluihin).
- Tämän laitteen käyttö lasten tai fyysisesti, aistillisesti, henkisesti, tai liikunnallisesti rajoittuneiden, tai kokemukseltaan ja tiedoiltaan puutteellisten henkilöiden toimesta voi aiheuttaa vaaratilanteita. Heidän turvallisuudestaan vastuussa olevien henkilöiden on annettava selkeät ja tarkat ohjeet laitteen käytöstä ja valvottava laitteen käyttöä.
- Ennen harjoituksen aloittamista ota yhteys lääkäriin terveystarkastusta varten.
- Jos sinulla on pahoinvointia, huimausta, tai muita epätavallisia oireita, lopeta välittömästi harjoitus ja ota yhteys lääkäriin.
- Vältä lihaskipuja ja venähdyksiä aloittamalla jokainen harjoitus lämmittelyjaksolla ja pääätä jokainen harjoitus jäähdyttelyjaksolla. Muista venytellä harjoittelun lopuksi.
- Laite on sopiva vain sisäkäyttöön. Laite ei ole sopiva ulkokäyttöön.
- Käytä laitetta riittävällä tuuletuksella varustetuissa tiloissa. Älä käytä laitetta vetoisissa tiloissa välttääksesi kylmettymisen.
- Käytä laitetta vain ympäristölämpötilassa 10°C~35°C/ 50°F~95°F. Säilytä laitetta vain ympäristölämpötilassa 5°C~45°C/ 41°F~113°F.
- Älä käytä tai säilytä laitetta kosteissa tiloissa. Ilmankosteus ei saa koskaan olla yli 80 %.
- Käytä laitetta vain sen aiottuun tarkoitukseen. Älä käytä laitetta muihin, kuin tässä käyttöoppaassa esitettyihin tarkoituksiin.
- Älä käytä laitetta, jos sen jokin osa on vaurioitunut tai viallinen. Jos osa on vaurioitunut tai viallinen, ota yhteys jälleenmyyjään.
- Pidä kätesi, jalkasi ja kehon muut osat pois liikkuvista osista.
- Pidä hiuksesi pois liikkuvista osista.
- Käytä asianmukaista vaatetusta ja kenkiä.
- Pidä vaatteet, korut ja muut esineet pois liikkuvista osista.
- Varmista, että vain yksi henkilö kerrallaan käyttää laitetta. Yli 180kg (397 lbs) ainava henkilö ei saa käyttää laitetta.
- Älä avaa laitetta ilman yhteydenottoa jälleenmyyjäsi.

## Kokoamisohjeet

### Kuvan A kuvaus

Kuvassa on esitetty, miltä harjoituslaite näyttää, kun asennus on saatu valmiiksi.

Voit käyttää tätä viitteenä asennuksen aikana, mutta tee asennusvaiheet aina oikeassa järjestyksessä kuvien mukaisesti.

### Kuvan B kuvaus

Kuvassa on esitetty, mitä komponentteja ja osia sinun tulisi löytää poistaessasi tuotteen pakkauksesta.

#### ⚠ HUOMAUTUS!!

- Pienet osat voivat olla piilossa / pakattuina Styrofoam-tuotesuojan koloihin.

### Kuvan C kuvaus

Kuvassa on esitetty tuotteesi mukana tuleva välinepaketti.

Välinepaketti sisältää pultit, aluslaatat, ruuvit, mutterit jne. sekä tarvittavat työkalut harjoittelulaitteen asianmukaiseen asennukseen.

### Kuvan D kuvaus

Kuvassa on esitetty oikea järjestys, jota noudattamalla harjoittelulaitteen asennus onnistuu parhaiten.

#### ⚠ VAROITUS

- Kokoonpane laite esitetyssä järjestyksessä.
- Vähintään kahden henkilön on kannettava ja siirrettävä laitetta.

#### ⚠ HUOMAUTUS

- Sijoita laite kovalle, tasaiselle alustalle.
- Asettakaa laite suojajalustalle lattiapinnan vaurioiden estämiseksi.
- Katso piirroksesta laitteen oikea asennus.

## Asennusta koskevia lisätietoja

### D5 Polkimien asentaminen oikein.

#### HUOMAUTUS!!

- Oikea ja vasen puoli on määritelty harjoitteluasennosta katsottuna.

### Oikean puolen poljin

Etsi "R"- tai "L"-merkki poljinakselista.

- Asenna oikean puolen poljin "R" oikean puolen poljinkampeen.
- Käännä ensin poljinakselia myötäpäivään käsin.
- Kiristä poljin kunnolla käyttämällä jakoavainta.

### Vasemman puolen poljin

- Asenna vasemman puolen poljin "L" vasemman puolen poljinkampeen.
- Käännä ensin poljinakselia vastapäivään käsin.
- Kiristä poljin kunnolla käyttämällä jakoavainta.



Katso YouTube-ohjevideomme napsauttamalla <https://youtu.be/3BiN9mc5Tmw?t=101>

#### ⚠ ILMOITUS

- Kun olet suorittanut asennuksen loppuun, pane tämän tuotteen mukana toimitetut työkalut talteen tulevia huoltotöitä varten.

## Lisätietoja ympäristöstä

### Pakkauksen hävittäminen

Lainsäädäntö ohjeistaa meitä vähentämään kaatopaikoille toimitetun jätteen määrää. Sen vuoksi pyydämme sinua toimittamaan kaikki pakkausjätteet sitä varten tarkoitettuun kierrätysasemaan.

### Laitteen hävittäminen käyttöiän päättyessä

Me Tunturilla toivomme, että iloitset kuntolaitteestasi vuosia.

Jokainen kuntolaite tulee kuitenkin aikanaan oman käyttöikänsä loppuun. Kotitalouksien sähkö- ja elektroniikkalaiteromua käsittelevien eurooppalaisten määräysten (WEEE) mukaan sinun kuuluu toimittaa kuntolaitteesi sitä varten tarkoitettuun keräyspaikkaan.

### Vapaa harjoitusalue (kuva D-0)

#### Laitteen etuosa

Varaa vähintään 30 cm vapaata tilaa laitteen eteen.

- Tämän osan vapaa harjoitusalue voidaan jakaa muiden samantyyppisten laitteiden kanssa, kun molemmat ovat vastakkain.

#### Laitteen vieressä.

Varaa vähintään 60 cm vapaata tilaa laitteen vieressä.

- Tämän osan vapaa harjoitusalue voidaan jakaa muiden samantyyppisten laitteiden kanssa, kun molemmat ovat vastakkain.

#### Laitteen takana

Varaa vähintään 200 cm vapaata tilaa laitteen taakse.

- Tämän osan vapaata harjoittelualuetta ei voida jakaa muiden samantyyppisten laitteiden kanssa, vaan tarvittava ylimääräinen vapaa tila riippuu molempien laitteiden suunnasta, ja sen on oltava molempien arvojen summa.

## Harjoitukset

Harjoituksen on oltava sopivan kevyt, mutta pitkäkestoinen. Aerobic-harjoitus perustuu kehon maksimi hapenottokyvyn parantamiseen, mikä puolestaan parantaa kestävyyttä ja kuntotasoa. Harjoituksen aikana sinun tulisi hikoilla, mutta sinun ei tulisi hengästyä. Harjoittele vähintään kolme kertaa viikossa 30 minuuttia peruskuntotason saavuttamiseksi ja ylläpitämiseksi. Paranna kuntotasoa lisäämällä harjoituskertojen määrää. On hyödyllistä yhdistää säännöllinen harjoitus terveelliseen dieettiin. Dieettiin sitoutuneen henkilön tulisi harjoitella päivittäin, ensi alkuun korkeintaan 30 minuuttia ja vähitellen lisäten päivittäinen harjoitus aikaan yhteen tuntiin. Aloita harjoituksesi hitaalla nopeudella ja pienellä vastuksella estääksesi liiallisen rasituksen sydän-verisuonijärjestelmään. Nopeutta ja vastusta voidaan vähitellen lisätä kuntotason parantuessa. Harjoituksesi tehokkuus voidaan mitata seuraamalla sydämesi lyöntinopeutta ja pulssisi nopeutta. Lisää nopeutta ja vastusta vähitellen oman kuntosi mukaan. Pidä pää pystyssä ja kaula suorana välttääksesi stressiä kaulassa, hartioissa ja selässä. Pidä selkäsi suorana. Varmista, että jalkasi ovat keskellä polkimia ja että lantio, polvet, nilkat ja varpaat ovat suoraan eteenpäin. Pidä painosi alaruumiin yläpuolella, huolimatta siitä, nojaatko eteenpäin vai seisotko suorana. Lopeta harjoitusjaksosi vähentämällä nopeutta ja vastusta vähitellen. Muista venytellä harjoittelun lopuksi.

### Ohjeita harjoittelua varten

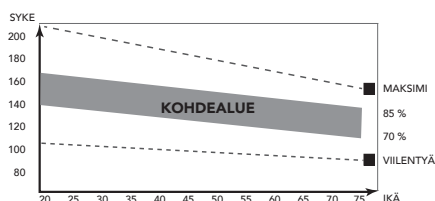
Kuntolaitteen käyttö tarjoaa monia etuja: se parantaa fyysistä kuntoa, kiinteyttää lihaksia ja hallittuun ruokavalioon yhdistettynä se auttaa myös pudottamaan painoa.

## Lämmittelyvaihe

Tämän vaiheen tarkoituksena on saada veri virtaamaan nopeammin ympäri kehoa ja panna lihakset tekemään työtä. Lämmittely vähentää myös krampppien ja lihasvammojen riskiä. Suosittelema, että teet muutaman venyttelyharjoituksen alla olevan kuvan mukaisesti. Jokaisen venytyksen tulisi kestää noin 30 sekuntia. Älä tee venytyksiä väkisin tai nykäisten - jos tunnet kipua, LOPETA.

## Harjoitteluvaihe

Tämä on se vaihe, jossa ponnistelet. Säännöllisen harjoittelun tuloksena jalkojesi lihakset tulevat joustavammiksi. Tässä vaiheessa on hyvin tärkeää ylläpitää tasaista nopeutta koko ajan. Rasituksen tulisi olla riittävän suuri, jotta sykkeesi nousee tavoitealueelle alla olevan kaavion mukaisesti



Tämän vaiheen tulisi kestää vähintään 12 minuuttia, mutta useimmilla aloittelijoilla se on noin 15-20 minuuttia.

## Jäähdyttelyvaihe

Tämän vaiheen tarkoituksena on antaa verenkiertojärjestelmäsi ja lihaksiesi palautua. Jäähdyttelyssä toistetaan lämmittelyvaiheen harjoitukset vähentämällä ensin nopeutta ja jatkamalla tällä nopeudella noin 5 minuuttia. Toista sitten venyttelyharjoitukset pitäen mielessä, että venytyksiä ei saa tehdä väkisin tai nykäisten. Kun kuntosi nousee, voit tarvita pidempiä ja raskaampia harjoituksia. On suositeltavaa treenata vähintään kolme kertaa viikossa, ja harjoittelut olisi hyvä jakaa tasaisesti viikon varrelle.

## Lihasten kiinteytys

Jos tavoitteesi on lihasten kiinteytys, sinun pitää asettaa vastus suureksi. Silloin jalkojesi lihakset rasittuvat enemmän, etkä ehkä pysty treenaamaan niin pitkään kuin haluaisit. Jos tavoitteesi on myös kunnan kohentaminen, sinun pitää muuttaa harjoitteluohjelmaasi. Harjoittele lämmittely- ja jäähdyttelyvaiheissa normaalisti, mutta lisää vastusta harjoitteluvaiheessa, jotta jalkasi joutuvat tekemään enemmän työtä. Vähennä tarvittaessa nopeutta, jotta sykkeesi pysyy tavoitealueella.

## Painon pudotus

Ratkaisevaa on se, miten rasittavaa harjoittelu on. Mitä enemmän ja mitä pidempään harjoitteleet, sitä enemmän poltat kaloreita. Vaikutus on sama kuin jos harjoittelisit kunnan kohentamiseksi, vaikka tavoite on nyt toinen.

## Syke

### Sykkeen mittaus (sykevyö)

#### ILMOITUS

- Rinnahihna ei ole vakiona tämän kouluttajan kanssa. Kun haluat käyttää langatonta rintahihnaa, sinun on ostettava tämä lisävarusteena.

Tarkin sydämen lyöntinopeus saadaan sykevyöllä. Sykemittaus tapahtuu käyttöliittymän sykevastaanottimen ja sykevyön lähettimen avulla. Tarkka sydänmittaus edellyttää lähettimen elektrodiin olevan hieman kosteita ja jatkuvassa kosketuksessa ihoon. Jos elektrodit ovat liian kuivia tai liian kosteita, sykkeen mittaus voi olla epätarkempi.

#### VAROITUS

- Jos sinulla on sydäntahdistin, ota yhteys lääkäriin ennen sykevyön käyttöä.

#### HUOMAUTUS

- Jos useita sykemittauslaitteita on vierekkäin, varmista, että niiden keskinäinen etäisyys on vähintään 2 metriä.
- Varmistu, että laitteen sykevastaanottimen ja sykevyön lähettimen kantomatkan sisällä ei ole muita lähettämiä, jotka voisivat aiheuttaa häiriöitä mittauksessa.

#### ILMOITUS

- Pidä aina sykevyötä vaatteittesi alla suorassa kosketuksessa ihoosi. Älä pidä sykevyötä vaatteittesi päällä. Jos pidät sykevyötä vaatteittesi päällä, signaalia ei ole.
- Jos asetat rajan sydämen lyöntinopeudelle, rajan ylityessä kuuluu äänihälytys.
- Lähetin lähettää sykkeen korkeintaan 1,5 metrin etäisyydellä olevaan ohjauspaneeliin. Jos elektrodit eivät ole kosteita, sydämen lyöntinopeus ei tule näytölle.
- Jotkin vaatteiden kuidut (esim. polyesteri, polyamidi) synnyttävät staattista sähköä, mikä voi estää tarkan sydämen lyöntinopeuden mittauksen.
- Matkapuhelimet, televisiot ja muut sähkölaitteet luovat sähkömagneettisen kentän, joka voi estää tarkan sydämen lyöntinopeuden mittauksen.

### Suurin sallittu sydämen lyöntinopeus (harjoituksen aikana)

Suurin sallittu sydämen lyöntinopeus on suurin lyöntinopeus, jonka henkilö voi turvallisesti saavuttaa harjoituksen rasituksella. Seuraavaa kaavaa käytetään laskemaan keskimääräinen suurin sallittu sydämen lyöntinopeus: 220 - IKÄ. Suurin sallittu sydämen lyöntinopeus vaihtelee henkilöstä toiseen.

#### VAROITUS

- Varmista, ettei ylitä sydämesi suurinta sallittua lyöntinopeutta harjoituksen aikana. Jos kuulut riskiryhmään, ota yhteys lääkäriin.

### Aloittelija

#### 50-60% suurimmasta sallitusta sydämen lyöntinopeudesta

Sopiva aloittelijoille, painonvartijoille, toipilaille, ja henkilöille, jotka eivät ole harjoitelleet pitkään aikaan. Harjoittele vähintään kolme kertaa viikossa, 30 minuuttia kerrallaan.

### Edistynyt

#### 60-70% suurimmasta sallitusta sydämen lyöntinopeudesta

Sopiva henkilöille, jotka haluavat parantaa ja ylläpitää kuntoaan. Harjoittele vähintään kolme kertaa viikossa, 30 minuuttia kerrallaan.

### Ekspertti

#### 70-80% suurimmasta sallitusta sydämen lyöntinopeudesta

Sopiva kunnoltaan erittäin hyvälle henkilöille, jotka ovat tottuneet pitkäkestoisin harjoituksiin.

## Käyttö

### Tukijalkojen säätö

Laitteessa on säädettävät tukijalat.

Jos laite tuntuu epävakaalta tai huteralta tai se ei ole tasapainossa, tämä voidaan korjata tukijalkoja säätämällä.

- Käännä tukijalat sisään/ulos tarpeen mukaan, jotta saat laitteen tukevaan asentoon ja mahdollisimman hyvin vaakatasoon.
- Lukitse tukijalat kiristämällä lukkomutterin holkit\*.

## !! HUOMAUTUS

- Laitteet ovat vakaimmillaan, kun ne ovat mahdollisimman lähellä lattiaa. Aloita sen vuoksi laitteiston tasapainotus kääntämällä kaikki tukijalat kokonaan sisään, ennen kuin käännät tarvittavat tukijalat ulos laitteen vakauttamiseksi ja tasapainottamiseksi.



Katso YouTube-ohjevideomme napsauttamalla <https://youtu.be/3BiN9mc5Tmw?t=535>

### Istuimen säätäminen vaakasuunnassa

Istuinta voidaan säätää vaakasuunnassa asettamalla istuin haluttuun asentoon. (kuva E-2)

- Löysää istuimen kiskoa kääntämällä pikairrotusvipua myötäpäivään.
- Siirrä istuin haluttuun asentoon.
- Kiristä istuimen kiskoa kääntämällä pikairrotusvipua myötäpäivään.

## !! HUOMAUTUS

- Pikairrotusvipu on jousikuormitteinen. Voit palauttaa vivun asennon vetämällä vivun alas, asettamalla sen uudelleen ja vapauttamalla sen uudelleen.

### Istuimen säätö pystysuunnassa

Istuinta voidaan säätää pystysuorassa asettamalla istuin haluttuun kohtaan. (kuva E-2)

Jalka lähes suorana jalkaholvin on kosketettava jalkapoljinta sen alimmassa pisteessä.

- Löysää istuinputken säätönuppia.
- Siirrä istuinputki haluttuun kohtaan.
- Kiristä istuinputken säätönuppi.

### Ohjaustangon säätäminen vaakasuunnassa

Ohjaustankoa voidaan säätää vaakasuunnassa asettamalla sitä kauemmaksi tai lähemmäs käyttäjää, jotta se asettuu haluttuun asentoon. (kuva E-2)

- Löysää ohjaustangon kiinnitysrunkoa kääntämällä pikairrotusvipua myötäpäivään.
- Siirrä ohjaustangon kiinnitysrunko haluttuun asentoon.
- Kiristä ohjaustangon kiinnitysrunko kääntämällä pikairrotusvipua myötäpäivään.

## !! HUOMAUTUS

- Pikairrotusvipu on jousikuormitteinen. Voit palauttaa vivun asennon vetämällä vivun alas, asettamalla sen uudelleen ja vapauttamalla sen uudelleen.

### Ohjaustangon korkeuden säätö

Ohjaustangon korkeutta voidaan säätää käyttäjän pituuden mukaan parhaan korkeuden ja käyttäjän treeniasennon saavuttamiseksi. (kuva E-2)

- Tue ohjaustanko ennen kuin löysää ohjaustangon säätönuppia. Löysää nuppia kääntämällä sitä kaksi täyttä kierrosta vastapäivään ja vedä jousikuormitteinen nuppi ulos.
- Pidä jousikuormitteista nuppia ulos vedettynä ja siirrä ohjaustanko haluttuun asentoon.
- Kun vaadittu korkeus löytyy, vapauta jousikuormitteinen nuppi ja liikuta ohjaustankoa hieman ylös/alas varmistaaksesi, että jousikuormitettu nuppi löytää kiinnitysasentonsa.
- Kiristä ohjaustangon säätönuppi tiukasti kääntämällä sitä myötäpäivään.

### Vastuksen säätö (kuva G-1)

Vastusta voidaan säätää tehostamaan tai keventämään treeniä.

- Vedä vastusvipu ylös vähentääksesi vastustasoa. Vastustaso näytetään konsolissa.
- Paina vastusvipua alas lisätäksesi vastustasoa. Vastustaso näytetään konsolissa.

## !! HUOMAUTUS

- Vastuksen säätövipua käytetään myös hätäkatkaisuna, joten kun vipua työnnetään suurimman vastustason yli, hätäkatkaisun kitkalevy aktivoituu.

### Hätäkatkaisun nuppi (kuva G-2)

Aktivoi hätäjarru painamalla jarrun kiristysvipu kokonaan alas käyttämällä painetta.

### Kaksitoimisten poljinten käyttö

Jos sinulla on kysyttävää, ota yhteys pyörän jälleenmyyjään tai katso harjoittelukenkiesi mukana tulleita ohjeita.

Kun kiinnität klossia, lateraalisen keskiviivan pitää olla päkiän keskikohdan alla. Säädä eteen ja taakse kengänpohjan urista. Säädä sivusuunnassa klossin ja klossin aluslaatan välyksestä. Kiristä klossit lujasti kiinni. Voit myöhemmin säätää klosseja omien mieltymystesi mukaan, kun olet ensin kokeillut niitä. Parhaan virityksen löytäminen voi viedä jonkin aikaa.

### Varvaskoukut

Polkimiin voidaan kiinnittää kaikki yleisesti käytössä olevat varvaskoukut. Kiinnitä varvaskoukut niiden mukana toimitetuilla välineillä valmistajan ohjeiden mukaisesti ja varmista ennen käyttöä, että liitosruuvit ovat tiukalla.

### Poljinten käyttö

Kiinnitä klosseilla varustetut kengät polkimiin asettamalla klossi lukkojen väliin ja painamalla samalla alaspäin. Voit vapauttaa kengän kiertämällä kantapäätä pyörästä ulospäin. Lukituksen tiukkuutta voidaan säätää, ja se tulee säätää siten, että klossi ja kenkä eivät poljettaessa vapaudu. Voit vääntää lukituksen säätöruuveja kuusiokoloavaimella. Tiukenna lukitusta vääntämällä säätöruuveja myötäpäivään, ja löysennä lukitusta vääntämällä ruuveja vastapäivään.

### Paristojen vaihto (Kuva E-1)

Ohjauspaneeli on varustettu 2x AA -paristolla ohjauspaneelin takaosassa.

- Poista kansi.
- Poista vanhat paristot.
- Laita uudet paristot paikalleen. Varmista paristojen olevan asennettu (+) ja (-) napaisuusmerkintöjen mukaisesti.
- Asenna kansi paikalleen.

## !! HUOMAUTUS

- Tyhjät paristot tulee aina kierrättää paikallisten lakien mukaisesti ympäristön suojelemiseksi.

## ⚠ VAROITUS

- Älä altista paristoja suurille lämpötilamuutoksille estääksesi niiden vuodot.
- Estä paristojen vuotaminen ottamalla ne pois laitteesta, jos aiot olla käyttämättä laitetta pidempään aikaan.
- Kun asetat laitteeseen useita paristoja, käytä aina samaa merkkiä, samaa tyyppiä ja samaa virtatasoa.

## Ohjauspaneeli (kuva. F-2)

### HUOMAUTUS

- Pidä ohjauspaneeli pois suorasta auringonvalosta.
- Kuivaa ohjauspaneelin pinta, jos siihen on tippunut hikeä.
- Älä nojaa ohjauspaneeliin.
- Kosketa näyttöä vain sormenpäälläsi. Älä kosketa näyttöä kynsilläsi tai terävillä esineillä.

### ILMOITUS

- Ohjauspaneeli siirtyy valmiustilaan, kun laitetta ei ole käytetty 4 minuuttiin.

## Toiminnot

### RPM

- Näyttää kierrokset minuutissa.
- Alue: 0 ~ 188 R/MIN.
- Ellei monitorille lähetetä mitään signaalia 4 sekuntiin harjoituksen aikana, RPM-arvo näyttää nollaa.
- Kun harjoittelu lopetetaan, AVG- ja MAX-arvo vaihtelevat näytössä: AVG: Keskimääräinen RPM-arvo viimeisimmän harjoituksen aikana. MAX: Viimeisimmän harjoituksen aikana saavutettu suurin RPM-arvo.

### TIME (AIKA)

- Laskee automaattisesti kertyneen harjoitteluajan.
- Kun määritetään tavoitearvo, aika alkaa harjoitusaikataavoitteesta ja etenee nolnaan, minkä jälkeen kuuluu hälytys.
- Näyttöalue: 00:00 ~ 99:59.

### SPEED (NOPEUS)

- Näyttää ajankohtaisen harjoitusnopeuden.
- Alue 0.0 ~ 99.9 / Yksiköt: KM/H.
- Ellei monitorille lähetetä mitään signaalia 4 sekuntiin harjoituksen aikana, Speed-arvo näyttää nollaa.
- Kun harjoittelu lopetetaan, AVG- ja MAX-arvo vaihtelevat näytössä: AVG: Keskimääräinen Speed-arvo viimeisimmän harjoituksen aikana. MAX: Viimeisimmän harjoituksen aikana saavutettu suurin Speed-arvo.

### DIST (matka)

- Jos tavoitearvoa ei ole määritetty, harjoitusmatkan arvo kasvaa.
- Kun tavoitearvo asetetaan, matkaa lasketaan tavoitematkasta arvoon 0, minkä jälkeen annetaan hälytys.
- Alue 0.0 ~ 99.99 / Yksiköt: KM.

### KCAL (kalorit)

- Jos tavoitearvoa ei ole määritetty, kalorimäärä kasvaa.
- Kun tavoitearvo asetetaan, kaloreita lasketaan tavoitekaloreista arvoon 0, minkä jälkeen annetaan hälytys.
- Alue: 0 ~ 9999 / Yksiköt: K.Cal.

### HUOMAUTUS

- Nämä tiedot muodostavat suuntaa antavan oppaan eri harjoitusjaksojen vertailuun. Niitä ei voi käyttää lääketieteellisessä hoidossa.

### PULSE (SYKE)

- Tämänhetkinen pulssi näkyy 6 sekunnin kuluttua siitä, kun konsoli on havainnut sen.
- Jos pulssisignaalia ei näy 6 sekuntiin, konsolin näytölle tulee "P".
- Alue: 0-30 ~ 230 lyöntiä minuutissa.
- Kun harjoittelu lopetetaan, AVG- ja MAX-arvo vaihtelevat näytössä: AVG: Keskimääräinen Pulse-arvo viimeisimmän harjoituksen aikana. MAX: Viimeisimmän harjoituksen aikana saavutettu suurin Pulse-arvo.

### WATT (WATIT)

- Näyttää nykyisen harjoittelun watteina.
- Alue: 0 ~ 999

### LOAD (KUORMITUS)

- Näyttää vastustason asetuksen.
- Alue: 1 ~ 32

## Painikkeiden selitykset

### MODE (TILA)

Harjoitustilassa:

- Paina lyhyesti kiinnittäaksesi näytössä näkyvin parametrin ja pitääksesi tämän parametrin kiinnitettyssä näyttötilassa. Näytettävän parametrin nimi vilkkuu.
- Vapauta kiinnitetty näyttötila painamalla yhden kerran lyhyesti ja aktivoi skannausnäyttötila uudelleen. Näytettävän parametrin nimi näkyy jatkuvasti valaistuna.
- Paina ja pidä painettuna yli 2 sekuntia käynnistääksesi konsolin uudelleen ja nollataksesi kaikki kertyvät arvot.

Ohjelmointitilassa:

- Vaihda parametri, jolle asetetaan tavoite. .

### SET (ASETUS)

Harjoitustilassa:

Ei määritettyä toimintoa harjoittelutilassa. Kun painiketta painetaan, taustavalaistus syttyy ja kaksoiskellot soivat merkinä siitä, että toiminto ei toimi.

Ohjelmointitilassa:

- Tavoitearvojen asettaminen. Paina yhden kerran lyhyesti kasvattaaksesi arvoa yhdellä yksiköllä kerrallaan. Paina ja pidä painettuna kasvattaaksesi arvoa nopeasti.

### RESET (NOLLAUS)

Harjoitustilassa:

- Paina ja pidä painettuna yli 2 sekuntia käynnistääksesi konsolin uudelleen ja nollataksesi kaikki kertyvät arvot.

Ohjelmointitilassa:

- Tyhjennä ja nollaa parametrin arvo.

## Toiminta

### Laitteen kytkeminen päälle

- Voit aktivoida virransäästötilassa olevan konsolin painamalla mitä tahansa näppäintä.
- Voit aktivoida virransäästötilassa olevan konsolin alkamalla polkea.

### Pois päältä / virransäästötila

Jos näyttö ei vastaanota signaaleja 4 minuuttiin, se siirtyy automaattisesti virransäästötilaan (SLEEP).

## Ohjelmat

### Harjoitustavoitteen asettaminen

- Selaa seuraavien toimintojen välillä painamalla MODE-painiketta: TIME (AIKA), DISTANCE (MATKA), KCAL JA PULSE (SYKE).
- Aseta suunnitellun harjoituksen tavoite SET-painikkeella. Paina yhden kerran lyhyesti kasvattaaksesi arvoa yhdellä yksiköllä kerrallaan.
- Paina ja pidä painettuna kasvattaaksesi arvoa nopeasti.
- Näytetty kohdetila voidaan tyhjentää RESET-painikkeella.

#### TIME TARGET MODE (AJAN TAVOITETILA):

- Asetusalue: 1:00 ~ 99:00
- Yksiköiden asetus: 1 minuutti

#### DIST TARGET MODE (MATKAN TAVOITETILA):

- Asetusalue: 0.0 ~ 99.5
- Yksiköiden asetus: 0,5 KM

#### KCAL TARGET MODE (KCAL-TAVOITETILA):

- Asetusalue: 10 ~ 9990 +10
- Yksiköiden asetus: 10 Kcal.

#### PULSE TARGET MODE (SYKKEEN TAVOITETILA):

- Asetusalue: 0 -3 0 ~ 230
- Yksiköiden asetus: 1 lyönti minuutissa

### !! HUOMAUTUS

- Jos tavoiteasetukseksi jätetään 0, sitä ei katsota tavoitteeksi.

### Konsolitoiminto tavoitetilassa

- Voit aloittaa harjoituksen milloin tahansa polkemalla. Jos tavoitearvoja ei ole asetettu, lukemat kasvavat.
- Jos tietylle arvolle on asetettu tavoite, lukema pienenee, kunnes tavoite on saavutettu.
- Kun tavoite on saavutettu, kuuluu lyhyt piippaava äänimerkki, joka ilmoittaa, että olet saavuttanut tavoitteesi, ja kyseinen parametriarvo jatkaa laskemalla ylöspäin, jos jatkat harjoittelua.
- Kun sykeraja on asetettu, piippaava äänimerkki kuuluu, kun mitattu syke ylittää asetetun sykerajan, ja ilmoittaa, että mitattu sykkeesi on ylittänyt asetetun tavoitteen.

#### Sovellus & Bluetooth

- Tämä konsoli voi muodostaa yhteyden älylaitteen sovellukseen Bluetoothin välityksellä. (iOS & Android)
- Luo Bluetooth-yhteys vain asennetun APP-yhteystilan avulla älykkäässä laitteessa.
- Kun konsoli on yhdistetty älylaitteeseen Bluetoothin välityksellä, konsoli kytkeytyy pois päältä.

### !! HUOM

- Tunturi ainoastaan tarjoaa mahdollisuuden yhdistää kuntolaite Bluetooth-yhteyden välityksellä. Tunturi ei siten ole vastuussa muiden kuin Tunturi-tuotteiden vahingoista tai toimintahäiriöistä.
- Tarkista verkkosivuilla lisätietoja.

Tämä konsoli voi vastaanottaa Bluetooth-sykemittarin. Laitetta ei tarvitse muodostaa pariin, koska konsoli tunnistaa automaattisesti sykemittarin, kun se on alueella.

## Puhdistus ja huolto

Laitteisto vaatii erittäin vähän huoltoa. Noudata seuraavia ohjeita. Laitetta ei tarvitse kalibroida uudelleen, kun se kootaan ja sitä käytetään ja huolletaan ohjeiden mukaisesti.

### ⚠ VAROITUS

- Älä käytä liuottimia laitteen puhdistukseen.
- Puhdista laite pehmeällä ja imukykyisellä liinalla jokaisen käyttökerran jälkeen.
- Tarkista säännöllisesti, että kaikki ruuvit ja mutterit ovat kireällä.

### Viat ja häiriöt

Huolimatta jatkuvasti laadunvarmistuksesta laitteessa voi tapahtua yksittäisen osan aiheuttamia vikoja ja häiriöitä. Useimmissa tapauksissa viallisen osan vaihtaminen on riittävää

- Jos laite ei toimi normaalisti, ota välittömästi yhteys jälleenmyyjään.
- Anna jälleenmyyjälle laitteen malli- ja sarjanumero. Kerro ongelman luonne, käyttöolosuhteet ja ostopäivä.

### Vianmääritys:

- Nestekidenäytön himmeys on osoitus siitä, että paristot pitää vaihtaa.
- Jos konsoli ei vastaanota signaalia polkemisen aikana, tarkista että johto on liitetty kunnolla.

### !! ILMOITUS

- Kun keskeytät harjoittelun 4 minuutiksi, päänäyttö kytkeytyy pois päältä.
- Jos tietojen esitys näytössä on epätavallista, asenna paristot uudestaan ja katso onko ongelma poistunut.

### Epätasainen tunne käytön aikana

Jos kone tuntuu epävakaalta tai epävakaalta käytön aikana, kannattaa säätää tukijalat, jotta runko on oikeaan korkeuteen. Lue tämän käyttöoppaan ohjeet isoista: "Käyttö"

## Kuljetus ja säilytys

### ⚠ VAROITUS

- Vähintään kahden henkilön on kannettava ja siirrettävä laitetta.
- Seisokaa laitteen edessä sen kummallakin puolella ja tarttuka tiukasti kiinni käsitangoista. Nostakaa laitetta siten, että laitteen takapää on pyörillä. Siirtäkää laite ja laskekaa se varovasti alas. Asettakaa laite suojalustalle lattiapinnan vaurioiden estämiseksi.
- Siirrä laitetta varovasti epätasaisilla pinnoilla. Älä siirrä laitetta yläkertaan pyöriä käyttäen. Suorita siirto kahvatuista kantaen.
- Säilytä laitetta kuivassa, mahdollisimman tasalämpötilaisessa paikassa.



## Takuu

### Tunturi-kuntolaitteen omistajan takuu

#### Takuuehdot

Kuluttaja on oikeutettu soveltuviin, kansallisessa kuluttajatuotteiden kauppaa koskevassa lainsäädännössä mainittuihin lakisääteisiin oikeuksiin. Tämä takuu ei rajoita näitä oikeuksia. Ostajan takuu on voimassa vain, jos tuotetta käytetään ympäristössä, jonka Tunturi New Fitness BV on kyseiselle laitteelle hyväksynyt. Kunkin tuotteen sallitut käyttöympäristöt ja huolto-ohjeet on esitetty tuotteen käyttöohjeessa. Käyttöohje on ladattavissa verkkosivustoltamme. <http://manuals.tunturi.com>

#### Takuuehdot

Takuuehdot tulevat voimaan tuotteen ostopäivästä lukien. Takuuehdot voivat olla erilaiset eri maissa, joten pyydä takuuehdot paikalliselta jälleenmyyjältä.

#### Takuun kattavuus

Missään olosuhteissa Tunturi New Fitness BV tai Tunturi-jälleenmyyjä ei vastaa ostajalle mahdollisesti aiheutuvista välillisistä vahingoista, kuten käyttöhyödyn tai tulojen menetyksestä taikka muista taloudellisista seurausvahingoista.

#### Takuun rajoitukset

Takuu kattaa työstä ja materiaalista johtuvat virheet kuntolaitteessa, joka on alkuperäisessä kokoonpanossaan.

Takuu koskee vain virheitä, jotka ilmenevät normaalissa ja laitteen mukana tulleen ohjekirjan mukaisessa käytössä edellyttäen, että Tunturin asennus-, huolto- ja käyttöohjeita on noudatettu. Tunturi New Fitness BV:n ja Tunturin jälleenmyyjät eivät vastaa virheistä, jotka aiheutuvat heidän vaikutusmahdollisuuksiensa ulkopuolella olevista seikoista. Takuu on voimassa vain niissä maissa, joissa Tunturi New Fitness BV:llä on valtuutettu maahantuojia. Takuu ei koske sellaisia kuntolaitteita tai osia, joita on muutettu ilman Tunturi New Fitness BV:n suostumusta. Takuu ei koske virheitä, jotka johtuvat luonnollisesta kulumisesta, virheellisestä käytöstä, käytöstä olosuhteissa, joihin kuntolaitetta ei ole tarkoitettu, korroosiosta tai lastaus- tai kuljetusvahingoista.

Takuu ei koske käyttöäniä, jotka eivät olennaisesti haittaa laitteen käyttöä eivätkä johdu laitteesta olevasta virheestä. Takuu ei myöskään sisällä kunnossapitotoimenpiteitä, kuten puhdistusta, voitelua tai sen osien normaalia tarkistamista, eikä sellaisia asennustoimenpiteitä, jotka asiakas voi suorittaa itse ja jotka eivät edellytä erityistä kuntolaitteen purkamista / kokeamista. Tällaisia toimenpiteitä ovat esim. mittareiden, polkimien tai muiden vastaavien yksinkertaisten osien vaihdot. Muun kuin valtuutetun Tunturi-edustajan suorittamia takuukorjauksia ei korvata. Laitteen käyttöohjeen noudattamatta jättäminen aiheuttaa takuun raukeamisen.

## Tekniset tiedot

Parametri	Mittayksikkö	Arvo
Pituus	cm	156.0
	inch	61.4
Leveys	cm	59.0
	inch	23.2
Korkeus	cm	142.0
	inch	55.9
Paino	kg	53.2
	lbs	117.3
Suurin sallittu käyttäjän paino	kg	180
	lbs	397
Paristokoko	2x	AA
Syke voidaan mitata seuraavasti:	käsikahvojen anturit	Ei
	5.0 Khz	Ei
	5.3 Khz.	Joo
	Bluetooth (BLE)	Ei
	ANT+	Ei

### TÄRKEÄ HUOMAUTUS

Konsoli on varustettu 5,3 kHz:n vastaanottimella, jonka tarkoituksena on estää häiriöt 5,0 kHz:n taajuussignaaleilla toimivan sisäänrakennetun BT-moduulin kanssa.

Siksi emme voi taata, että konsoli pystyy vastaanottamaan 5,0 kHz:n sykevyön signaalia. Kokemuksemme mukaan 5,0 kHz:n sykelahtin (sykevyö) toimii todennäköisesti ongelmitta, mutta toimintaa ei voi taata.

## Valmistajan vakuutus

Tunturi New Fitness BV vakuuttaa tuotteen täyttävän seuraavien standardien ja direktiivien vaatimukset: EN 957 (S Class), 2014/30/EU. Tässä tuotteessa on sen vuoksi CE-merkki..

11-2023

Tunturi New Fitness BV  
Purmerweg 1  
1311 XE Almere  
Alankomaat

## Vastuuvapauslauseke

© 2023 Tunturi New Fitness BV  
Kaikki oikeudet pidätetään.

- Tuote ja käyttöopas saattavat muuttua.
- Teknisiä tietoja saatetaan muuttaa ilman eri ilmoitusta.
- Katso käyttöohjeiden uusien versio verkkosivustoltamme.

**TUNTURI**®

**FEEL BETTER EVERY DAY**

**TUNTURI NEW FITNESS B.V.**

Purmerweg 1  
1311 XE Almere  
The Netherlands

P.O. Box 60001  
1320 AA Almere  
The Netherlands

info@tunturi.com  
www.tunturi.com



20240402-W